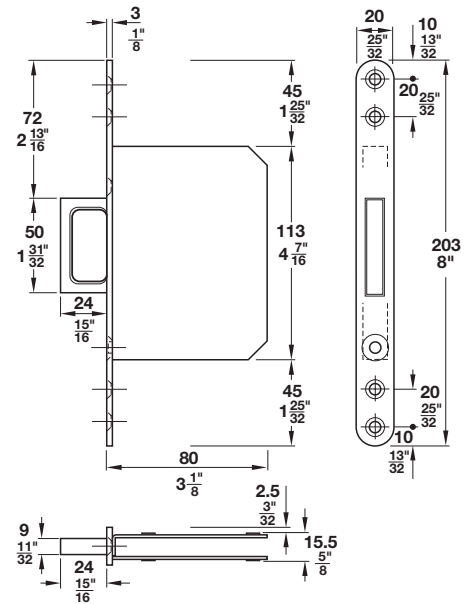


### Pocket Door Pull



Stainless steel, matt

### Spring-Loaded Pocket Door Pull

- With pull handle and push button
- Stainless steel material grade 1.4301 is similar to grade AISI 304

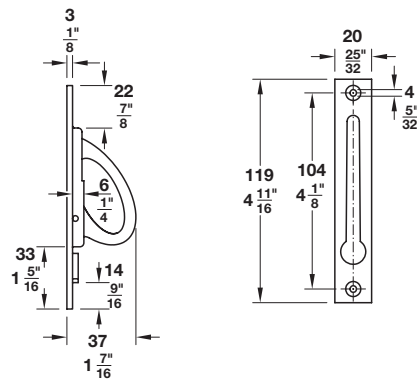
Material: Stainless Steel, matt; Pull Hand and Push Button: Zinc die-cast, Finish: nickel-plated polished; Lock Case: Steel, lacquered

Item No.
911.26.310

**Note**  
Mounting screws not included



Dimensional data not binding. We reserve the right to alter specifications without notice.



### Front Drop Pocket Door Pull

Material: Brass

Finish	Item No.
polished nickel	911.26.246
polished chrome	911.26.247

**Note**  
Mounting screws not included



Dimensions in mm  
Inches are approximate