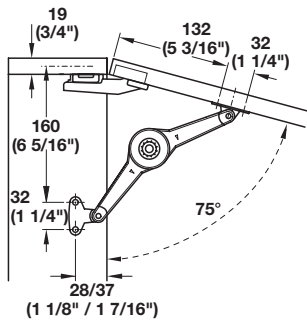
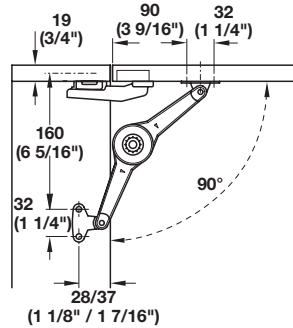




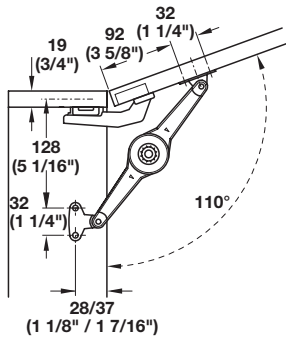
Installation as lid stay



Opening angle 75°

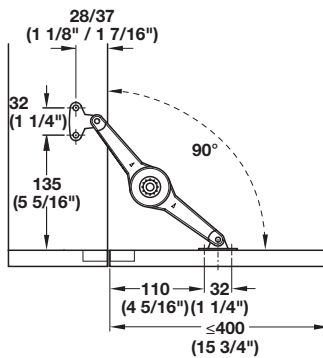


Opening angle 90°

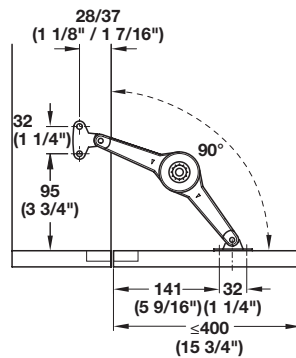


Opening angle 110°

Installation as flap stay



Separate catch required



No separate catch required
Space requirement for fitting inside the cabinet when the door is being closed: 130 mm (5 1/8") from front edge of cabinet

Duo Standard Complete Set

- For doors made of wood or with aluminum frame
- From frame width: 45 mm (1 3/4")
- Edge distance: 37 mm (1 7/16")

| Installation | Nickel-plated | White | Black |
|--------------|---------------|------------|------------|
| Wood screws | 373.66.612 | 373.66.262 | 373.66.212 |
| Euro screws | 373.66.614 | 373.66.264 | 373.66.214 |

- For doors with aluminum frame
- From frame width: 20 mm (13/16")
- Edge distance: 37 mm (1 7/16")

| Installation | Nickel-plated | White | Black |
|--------------------|---------------|------------|------------|
| Sheet metal screws | 373.66.622 | 373.66.272 | 373.66.222 |

Supplied With

- Lid stay
- Mounting bracket for cabinet
- Screw-on bracket for flap

Sample measurements table for max. flap weight. Always use two fittings when used as flap stay.

| Flap height | max. flap weight lbs. | | | |
|--------------------------------------------------------|-----------------------|-----------|------------------|-----------|
| | Stopping function | | Braking function | |
| | 1 Stay | 2 Stays | 1 Stay | 2 Stays |
| For opening angle 75° | | | | |
| 8" | 19.8 lbs. | 33 lbs. | 25.3 lbs. | 33 lbs. |
| 10" | 15.4 lbs. | 33 lbs. | 19.8 lbs. | 33 lbs. |
| 12" | 13.2 lbs. | 26.4 lbs. | 16.5 lbs. | 33 lbs. |
| 14" | 11 lbs. | 22 lbs. | 14.3 lbs. | 28.6 lbs. |
| 16" | 9.9 lbs. | 19.8 lbs. | 13.2 lbs. | 25.3 lbs. |
| 18" | 8.8 lbs. | 17.6 lbs. | 11 lbs. | 22 lbs. |
| 20" | 7.7 lbs. | 15.4 lbs. | 9.9 lbs. | 19.8 lbs. |
| For opening angle 90° - See 90° Flap Stay for 8" - 16" | | | | |
| 18" | 7.7 lbs. | 14.3 lbs. | 9.9 lbs. | 18.7 lbs. |
| 20" | 6.6 lbs. | 13.2 lbs. | 8.8 lbs. | 16.5 lbs. |
| For opening angle 110° | | | | |
| 8" | 13.2 lbs. | 26.4 lbs. | 17.6 lbs. | 33 lbs. |
| 10" | 11 lbs. | 20.9 lbs. | 13.2 lbs. | 26.4 lbs. |
| 12" | 8.8 lbs. | 17.6 lbs. | 11 lbs. | 22 lbs. |
| 14" | 7.7 lbs. | 15.4 lbs. | 8.8 lbs. | 19.8 lbs. |
| 16" | 6.6 lbs. | 13.2 lbs. | 8.8 lbs. | 16.5 lbs. |
| 18" | 5.5 lbs. | 12.1 lbs. | 7.7 lbs. | 15.4 lbs. |
| 20" | 4.4 lbs. | 11 lbs. | 6.6 lbs. | 13.2 lbs. |
| For opening angle 90° as a Flap Stay | | | | |
| 8" | 16.5 lbs. | 33 lbs. | 20.9 lbs. | 33 lbs. |
| 10" | 13.2 lbs. | 26.4 lbs. | 16.5 lbs. | 33 lbs. |
| 12" | 11 lbs. | 22 lbs. | 13.2 lbs. | 28.6 lbs. |
| 14" | 8.8 lbs. | 18.7 lbs. | 12.1 lbs. | 24.2 lbs. |
| 16" | 7.7 lbs. | 15.4 lbs. | 11 lbs. | 22 lbs. |