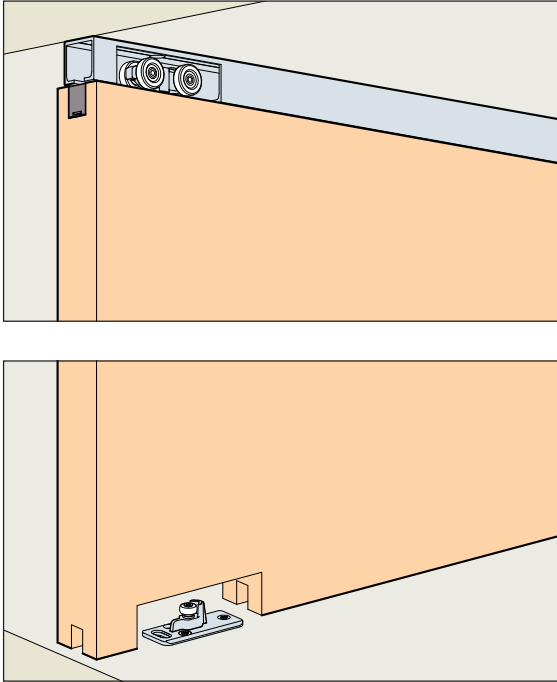




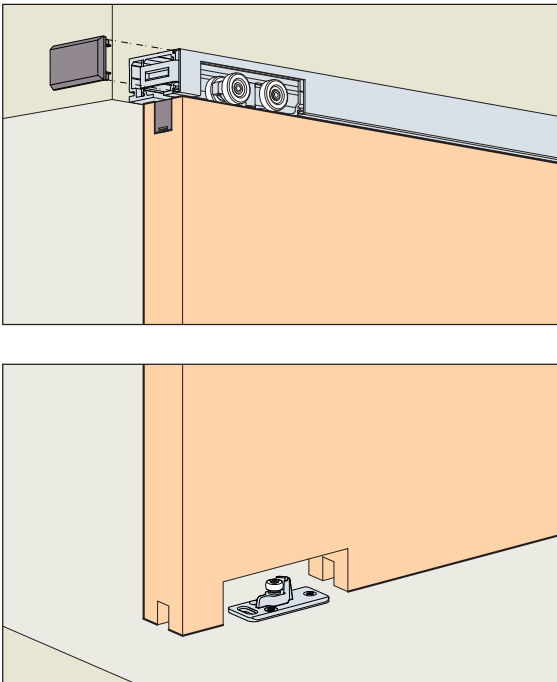
Anforderungen erfüllt nach  
 DIN - EN 1527 - 620 - 0 - 13



| EKU PORTA 60 100 HM      |   |
|--------------------------|---|
| EKU DIVIDO 100 DIVIDO HM |   |
| <b>1</b> Türe Door Porte | <b>60 No. 057.3133.072</b><br><b>100 No. 057.3133.071</b> |
| 2x                       | 2x  |
| 2x                       | 2x  |
| 1x                       | 1x  |

| EKU PORTA 60 HM                |                         |
|--------------------------------|-------------------------|
| <b>1</b> Türe Door Porte       | <b>No. 057.3134.071</b> |
| 2x                             | 2x                      |
| 2x                             | 2x                      |
| 1x                             | 1x                      |
| Alu Aluminium<br>2000x30x31 mm |                         |

| EKU PORTA 100 HM  |                         |
|---|-------------------------|
| <b>1</b> Türe Door Porte  | <b>No. 057.3135.071</b> |
| 2x  | 2x                      |
| 2x  | 2x                      |
| 1x  | 1x                      |
| Alu eloxiert Aluminium anodized<br>Alu anodisé<br>2000x30x31 mm |                         |



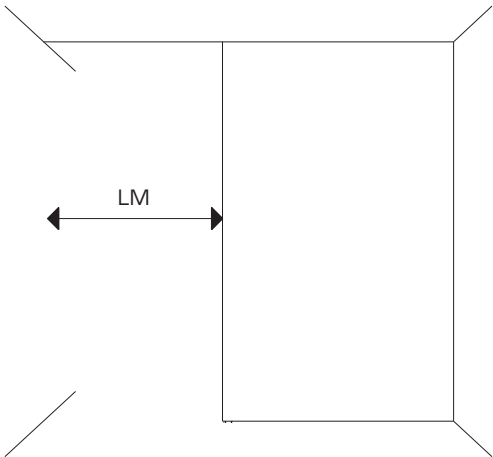
| EKU PORTA 60 100 HMD     |   |
|--------------------------|---|
| <b>1</b> Türe Door Porte | <b>60 No. 057.3133.072</b><br><b>100 No. 057.3133.071</b> |
| 2x                       | 2x  |
| 2x                       | 2x  |
| 1x                       | 1x  |

| EKU PORTA 60 HMD         |                         |
|--------------------------|-------------------------|
| <b>1</b> Türe Door Porte | <b>No. 057.3136.071</b> |
| 2x                       | 2x                      |
| 2x                       | 2x                      |
| 2x                       | 1x                      |
| 2000x47.5x31 mm          |                         |

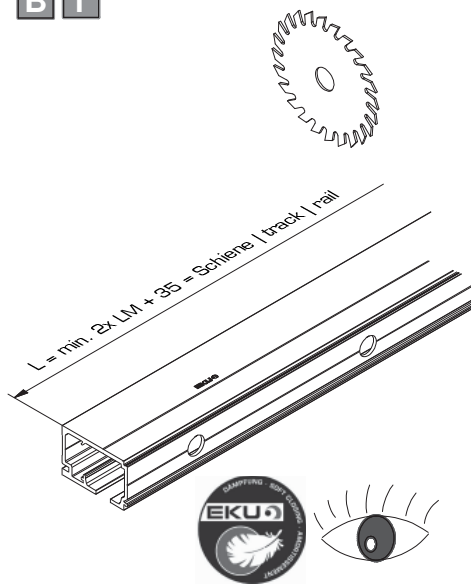
| EKU PORTA 100 HMD        |                         |
|--------------------------|-------------------------|
| <b>1</b> Türe Door Porte | <b>No. 057.3137.071</b> |
| 2x                       | 2x                      |
| 2x                       | 2x                      |
| 2x                       | 1x                      |
| 2000x47.5x31 mm          |                         |
| 2000x7.5x31 mm           |                         |
| 1x                       |                         |

**EKU PORTA® 60|100 HM|HMD**  
**EKU DIVIDO® 100 HM**

**A**



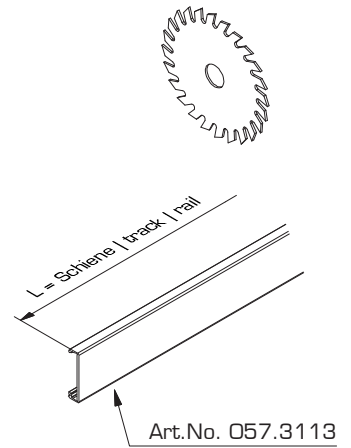
**B 1**



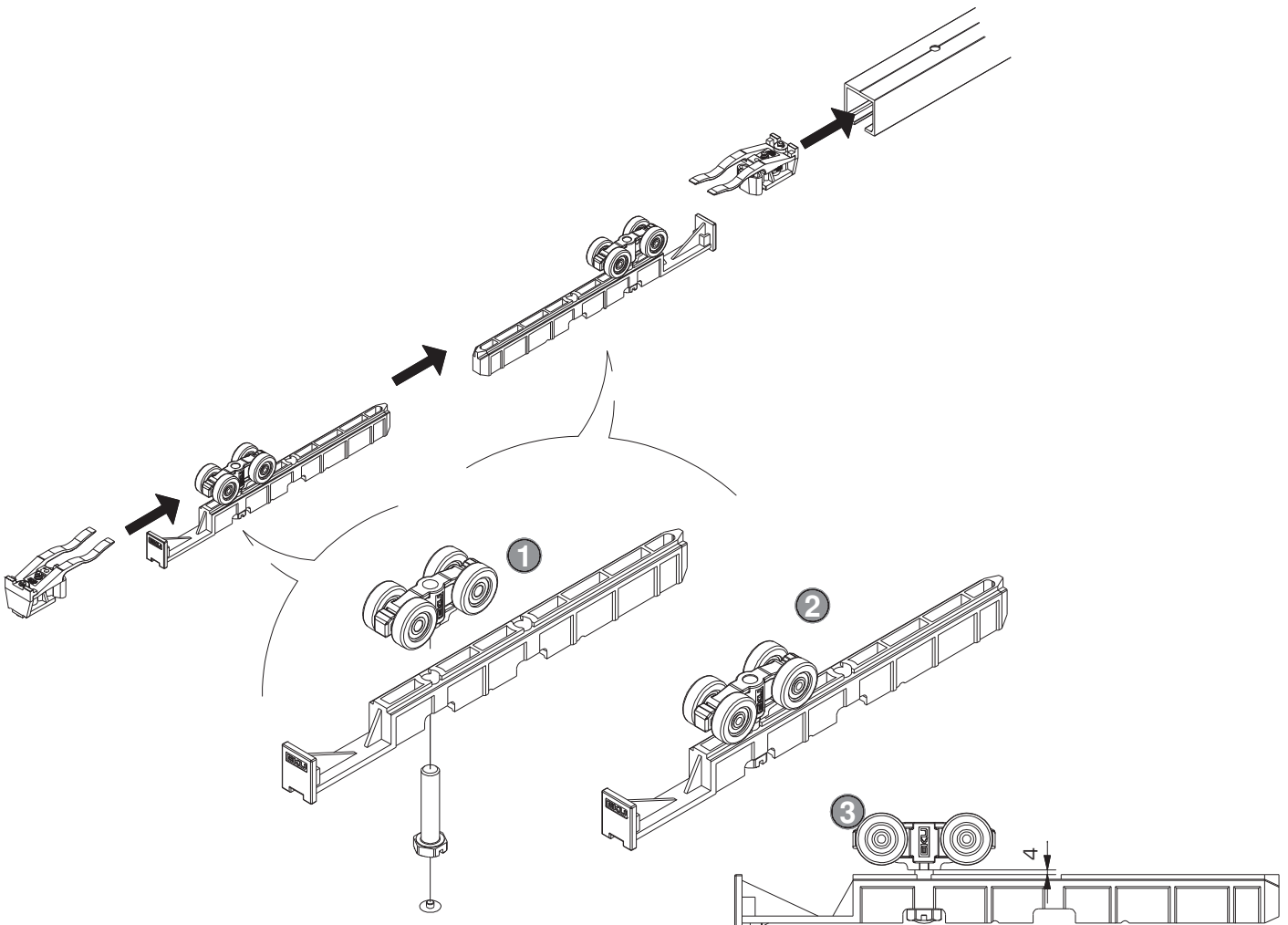
**Siehe Montageanleitung**  
 See mounting instructions  
 Voir instructions de montage  
 No. 788.2000.221

**B 2**

**Optional** | optional | optionnell  
 PORTA 60|100 HMD

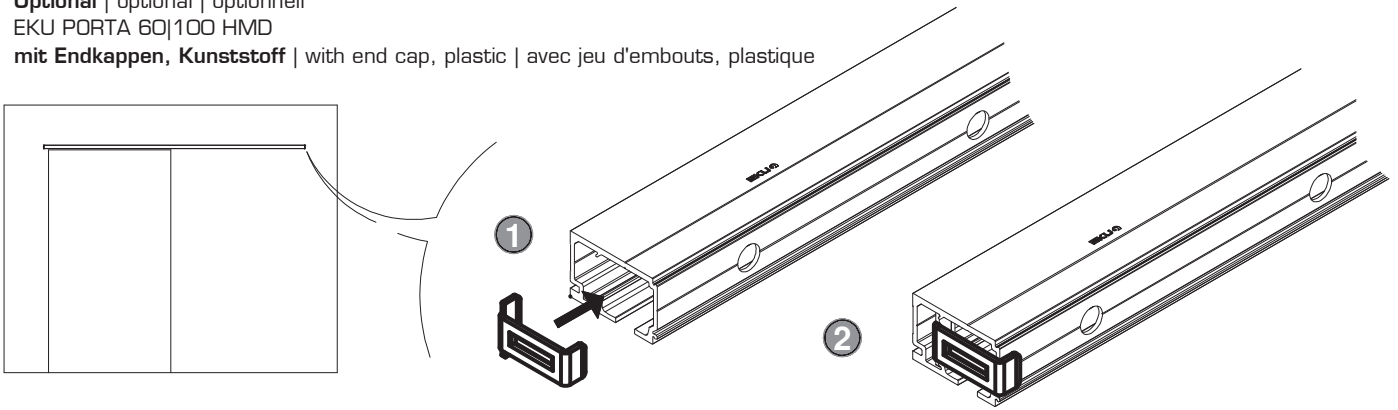


**C**

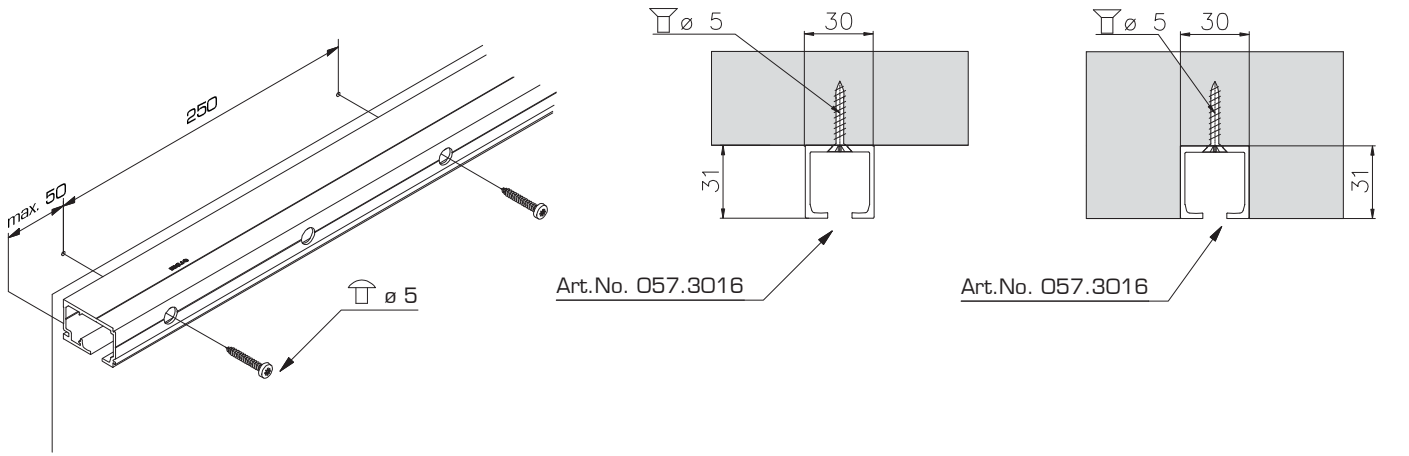


**EKU PORTA® 60|100 HM|HMD**  
**EKU DIVIDO® 100 HM**

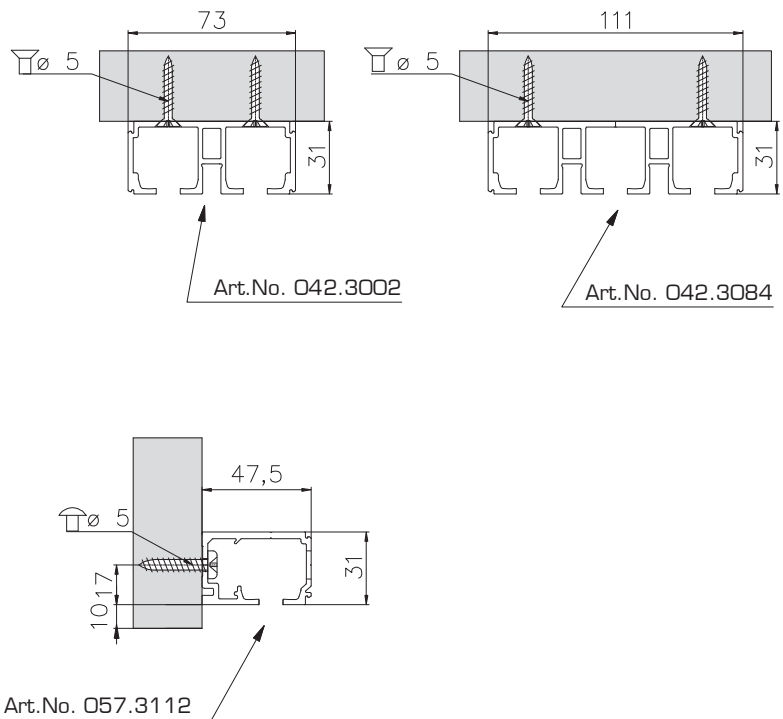
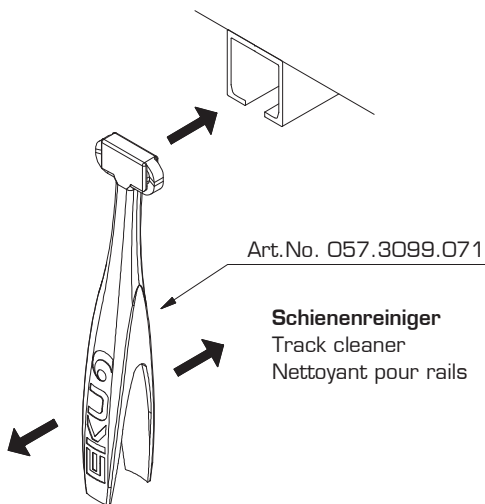
**D** **Optional** | optional | optionnell  
 EKU PORTA 60|100 HMD  
 mit Endkappen, Kunststoff | with end cap, plastic | avec jeu d'embouts, plastique



**E**

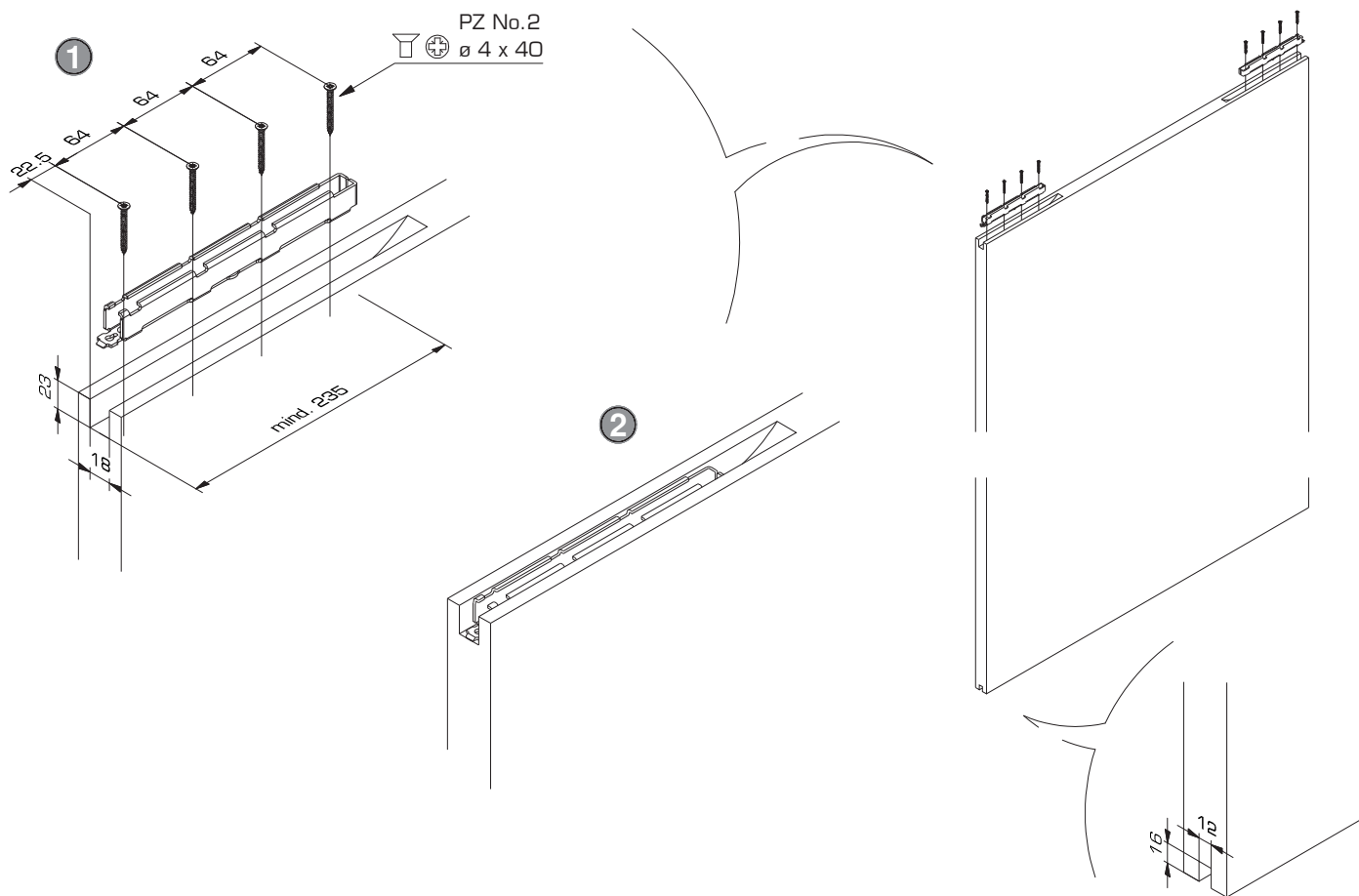


**F**

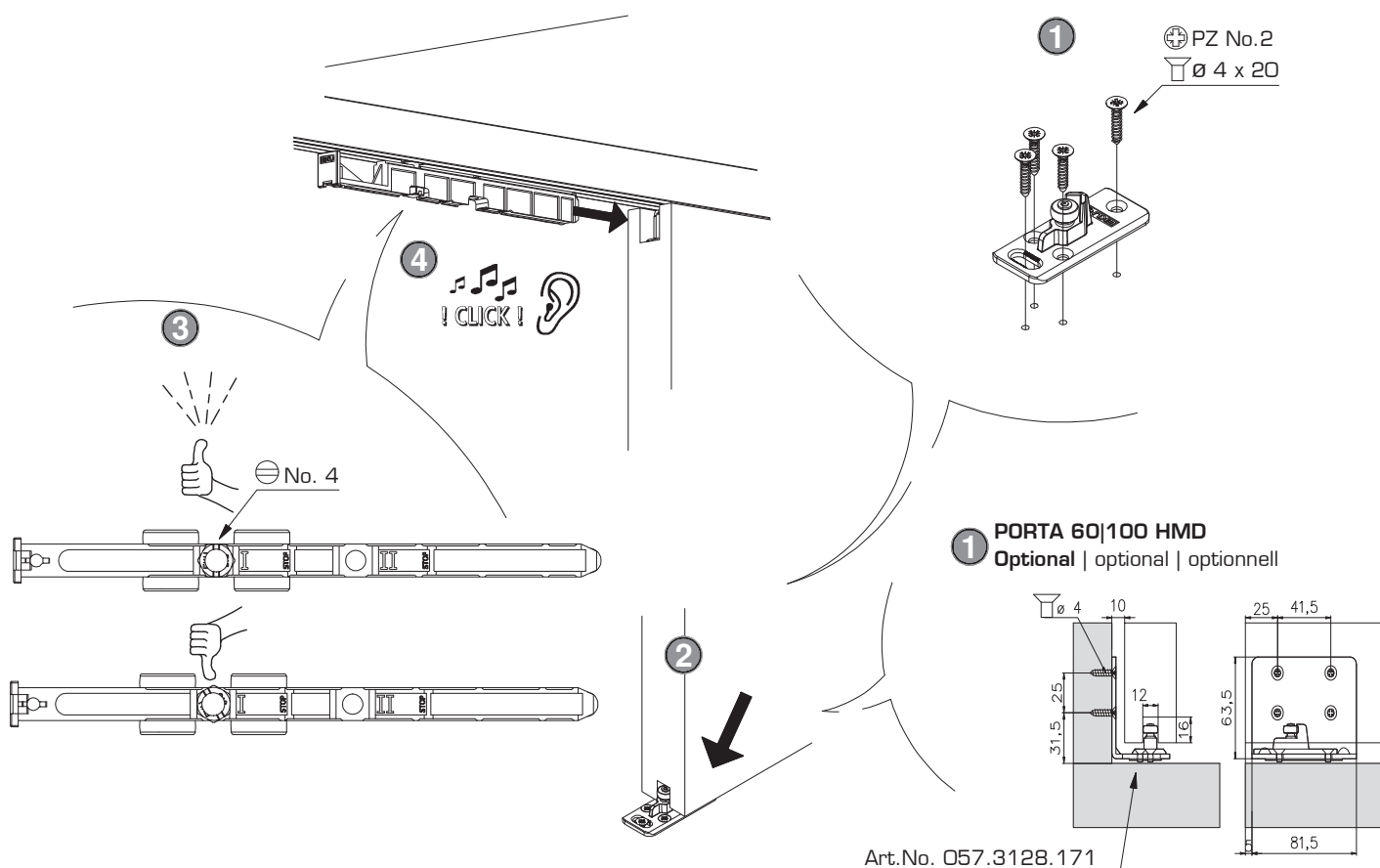


**EKU PORTA® 60|100 HM|HMD**  
**EKU DIVIDO® 100 HM**

**G**

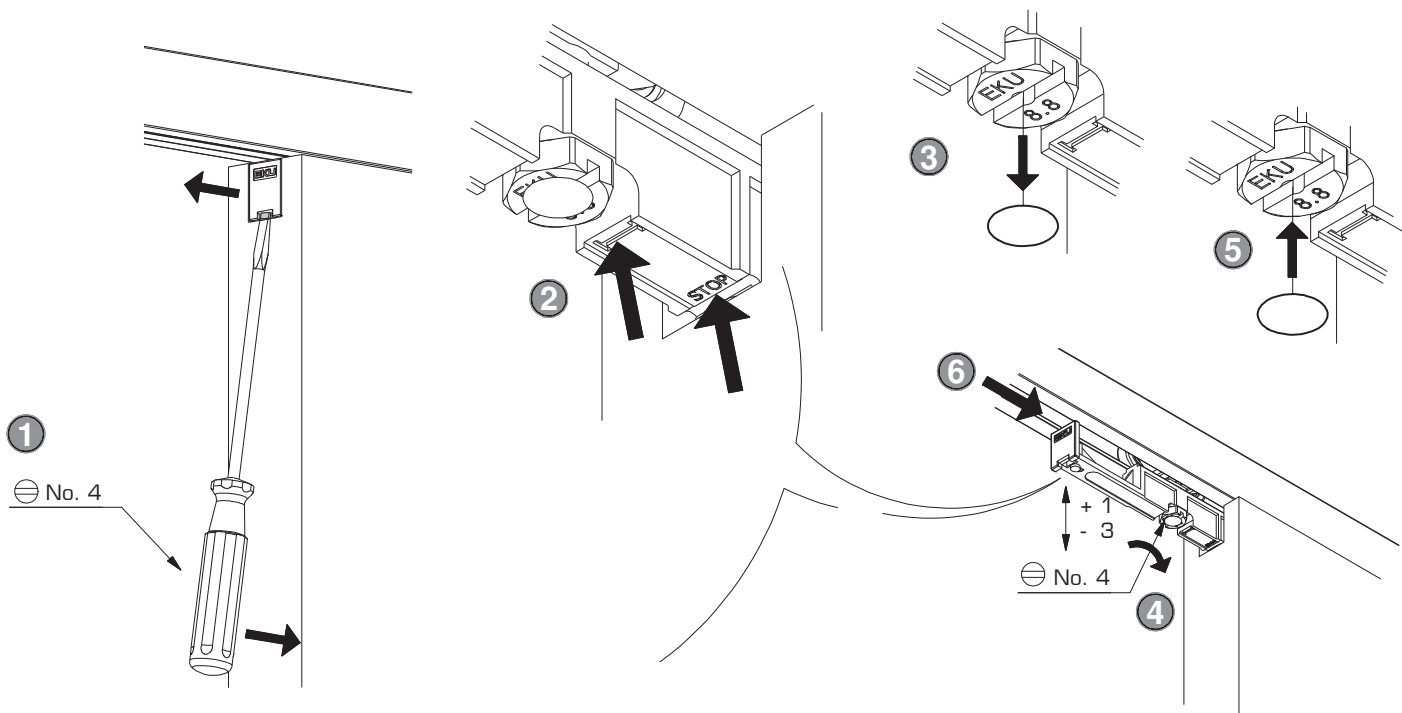


**H**

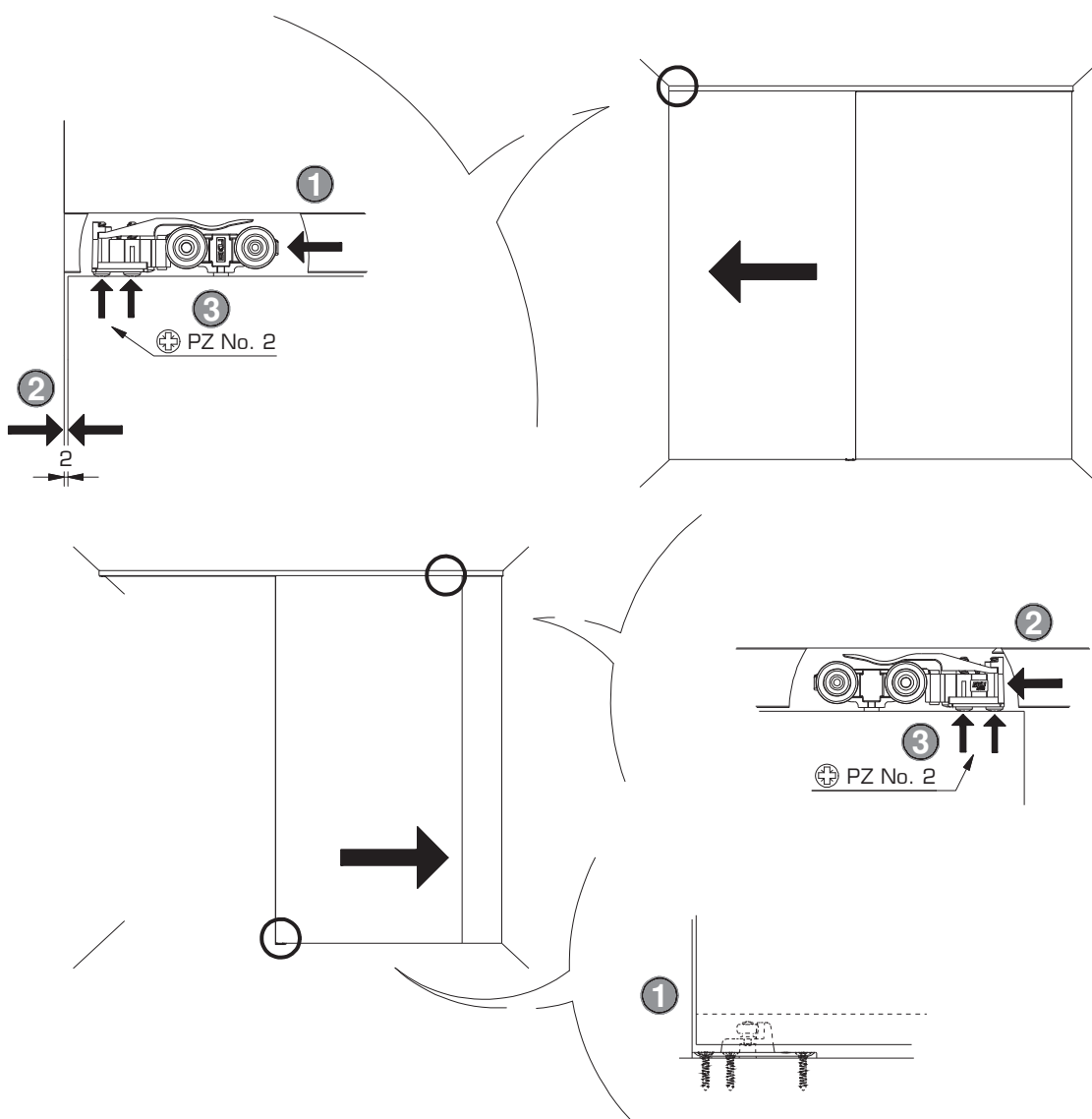


Art.No. 057.3128.171

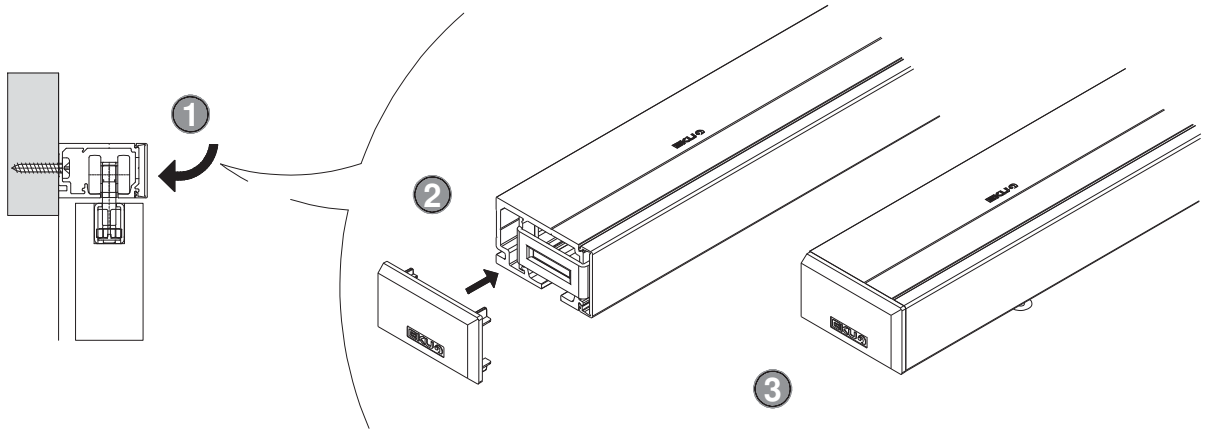
**I**



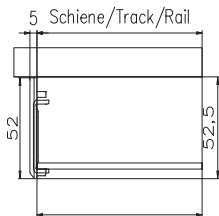
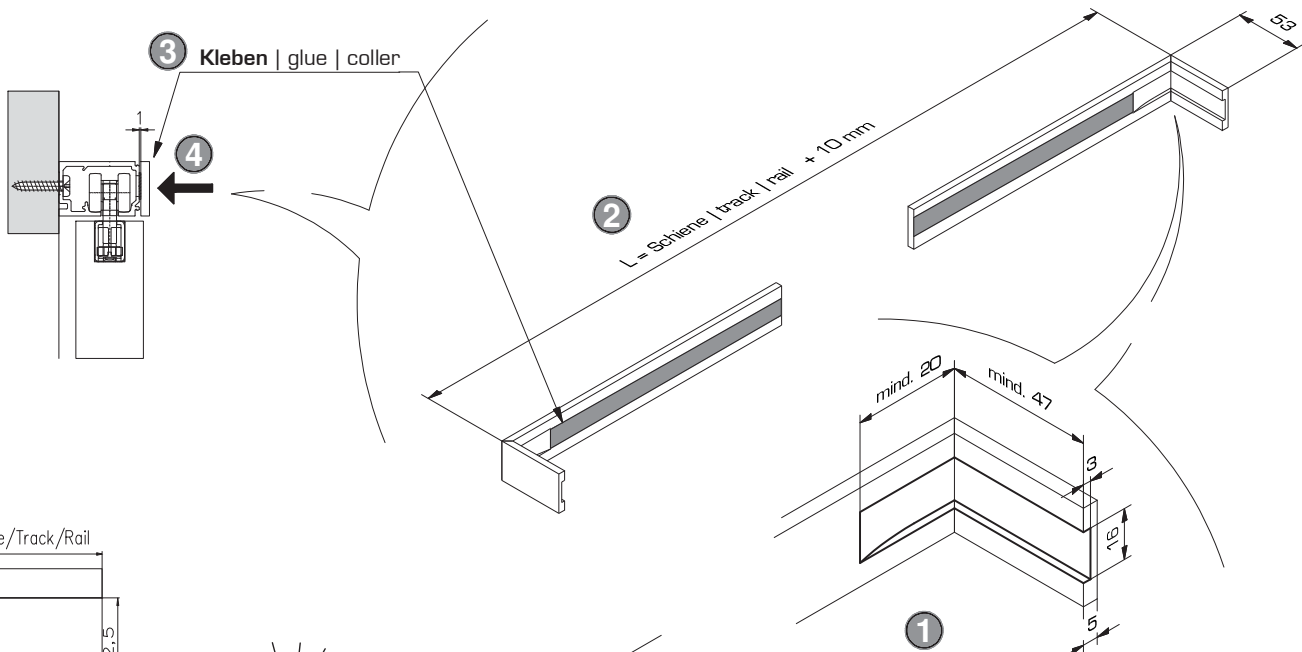
**J**



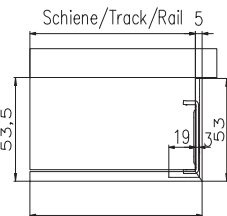
**K 1** Optional | optional | optionnell  
 PORTA 60|100 HMD



**K 2** Optional | optional | optionnell  
 PORTA 60|100 HMD



Clipblende/Clip fascia/Cache à clipser  
 = Schiene/Track/Rail



Holzblende/Wooden fascia/Cache en bois  
 = Schiene/Track/Rail + 5

Einbaubeispiele | Mounting examples | Exemples de montage

