



732.28.404

	T_A											
833.89.087	-20 °C – +35 °C -4 °F – +95 °F	Ø 35 x 9	Ø 45 x 19	<table border="1"> <tr><td>Loox</td><td>12 V</td></tr> <tr><td>Loox</td><td>24 V</td></tr> <tr><td>Loox</td><td>350 mA</td></tr> <tr><td>Loox</td><td>700 mA</td></tr> </table>	Loox	12 V	Loox	24 V	Loox	350 mA	Loox	700 mA
Loox	12 V											
Loox	24 V											
Loox	350 mA											
Loox	700 mA											

A

B

E

+

X	
500	833.89.054
1000	833.89.055
2000	833.89.056

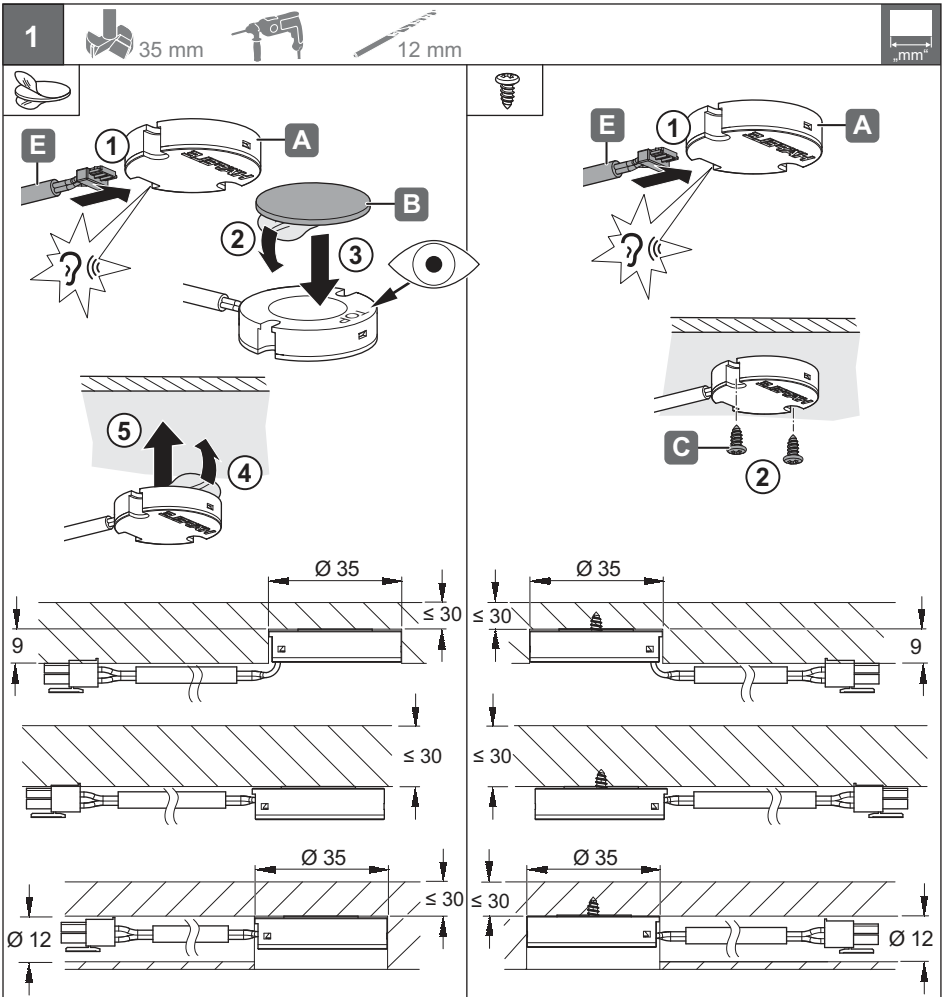
2x C

D

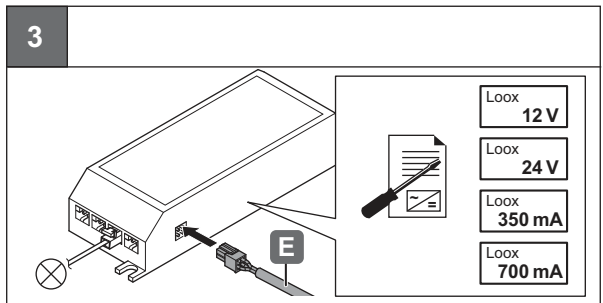
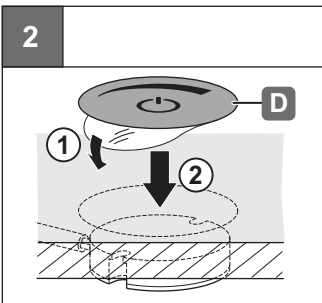
i

i

HDE 08/2015



732.28.404



HDE 08/2015