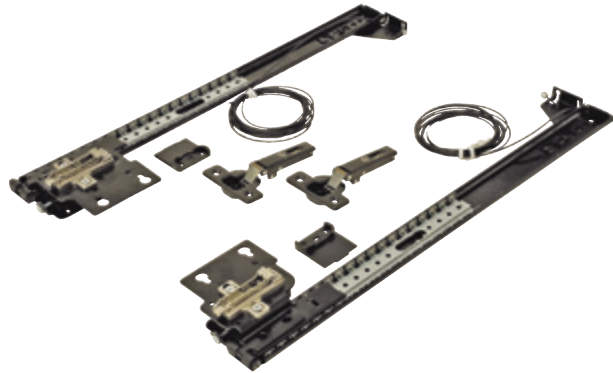
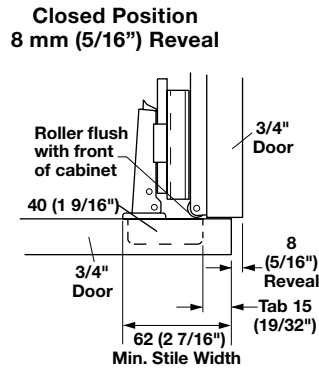
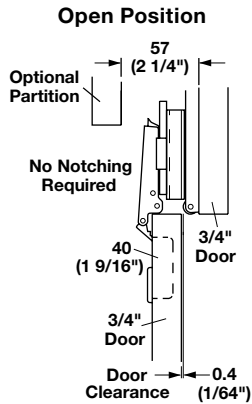


Accuride

- Maximum weight capacity: 34 kg (75 lbs.)
- Door thickness 3/4" to 1 1/4" (for doors 13/16" or thicker, please order the optional 40 mm hinge kit)
- Door heights up to 78" (for doors 36" – 78" tall, see below for additional hinges required)
- Door width 10" to 26"
- Pocket width 2" to 2 1/2" depending on door thickness
- Even lengths 12" to 32"
- Vertically mounted concealed doors
- Entertainment centers
- Audio-visual conference centers

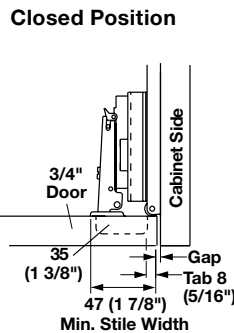
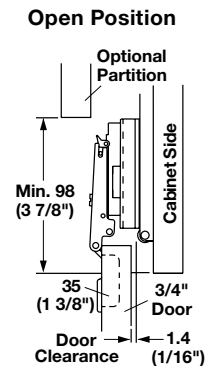


1432 Overlay Application

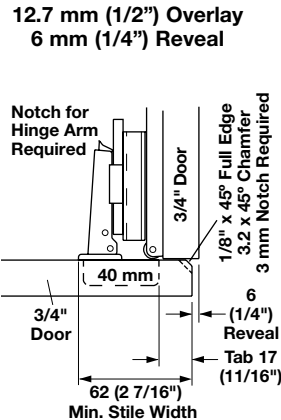


Note
Maximum 3/4" door thickness. Requires 0 mm mounting plate - 329.71.500 (order separately).

Flush Inset Application



Alternative Method



1332/1432

Material: Steel; Color: black

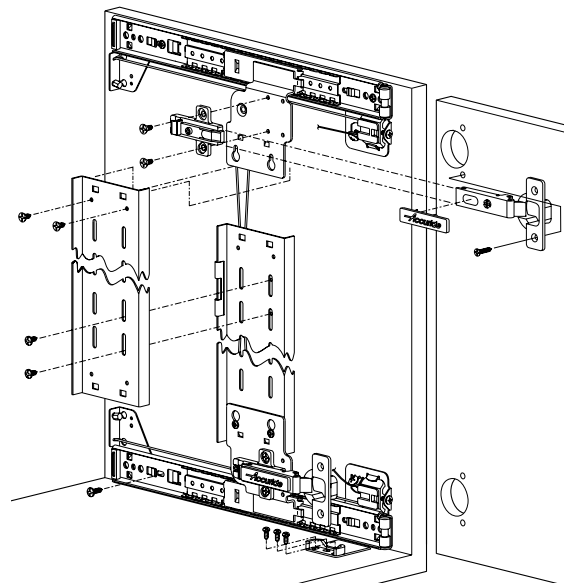
Slide length	Slide Travel	1332 – with 35 mm hinges	1432 – hinges not included
12" (305)	8 1/4" (210)	408.24.430	408.24.530
14" (356)	10 1/4" (261)	408.24.435	408.24.535
16" (405)	12 1/2" (312)	408.24.441	408.24.541
18" (456)	13 1/2" (343)	408.24.446	408.24.546
20" (506)	15 1/2" (394)	408.24.451	408.24.551
22" (557)	17 1/2" (445)	408.24.456	408.24.556
24" (608)	19 1/2" (496)	408.24.461	408.24.561
26" (659)	21 1/2" (546)	408.24.466	408.24.566
28" (710)	23 1/2" (597)	408.24.471	408.24.571
30" (762)	25 1/2" (648)	408.24.476	408.24.576
32" (813)	27 1/2" (699)	408.24.481	408.24.581

1332 Supplied With

35 mm hinge kit
Slide mounting hardware kit
Mounting instructions

1432 Supplied With

Slide mounting hardware kit
Mounting instructions



Dimensional data not binding. We reserve the right to alter specifications without notice.