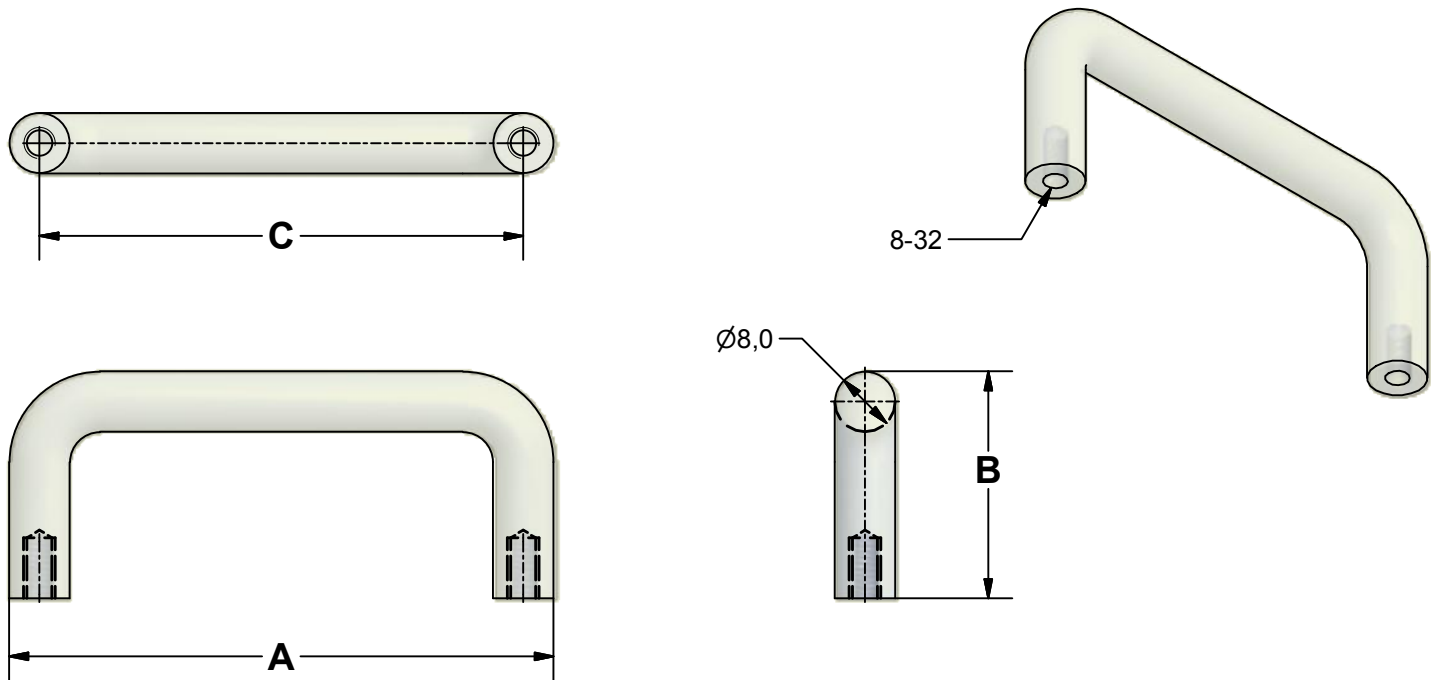


	ITEM NUMBERS BY FINISH								
AXBXC in mm	Matt Brass	Matt Chrome	Dark Oil-Rubbed Bronze	Brushed Nickel	Polished Chrome	Satin Chrome	Polished Brass	Satin Brass	Matt Nickel
72X30X64					116.07.214				
84X30X76	116.07.515	116.07.415	116.07.313	116.07.017	116.07.217	116.07.417	116.07.817	116.07.517	116.07.617
97X30X89	116.07.516	116.07.416	116.07.314	116.07.018	116.07.218	116.07.418	116.07.818	116.07.518	116.07.618
104X30X96	116.07.522	116.07.423	116.07.323	116.07.024	116.07.224	116.07.424	116.07.824	116.07.523	116.07.624
110X30X102	116.07.526	116.07.426	116.07.333	116.07.027	116.07.227	116.07.427	116.07.827	116.07.527	116.07.627
135X30X127	116.07.542	116.07.442	116.07.343	116.07.043	116.07.243	116.07.443	116.07.843	116.07.543	116.07.643



STATUS
05
STEEL HANDLE
116.07.XXX

RevNo	Project # or Change request #	Date	Signature	Checked
001	Prj.#.166.999.561	8.18.06	NPG	MT
002	Added Matt Nickel finish	11.15.06	NPG	GS

NOTICE:
THIS DRAWING AND ALL INFORMATION THEREON IS THE PROPERTY OF:
HAFELE
THIS DRAWING AND INFORMATION THEREON IS CONFIDENTIAL. MUST NOT
MADE PUBLIC, COPIED OR USED TO DISADVANTAGE OF SAID HAFELE
AMERICA CO. IT IS SUBJECT TO RETURN ON DEMAND.
2006 HAFELE AMERICA CO.

DATE: 8/18/2006	SPECIFICATION ISO 2768-m
SCALE: 1:1	MAT: STEEL WIRE
DRAWN BY: NPG	FINISH: SEE TABLE
PUM APPROVAL GS	CUSTOMER APPROVAL