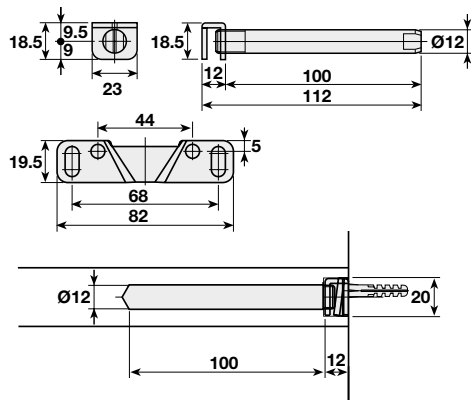
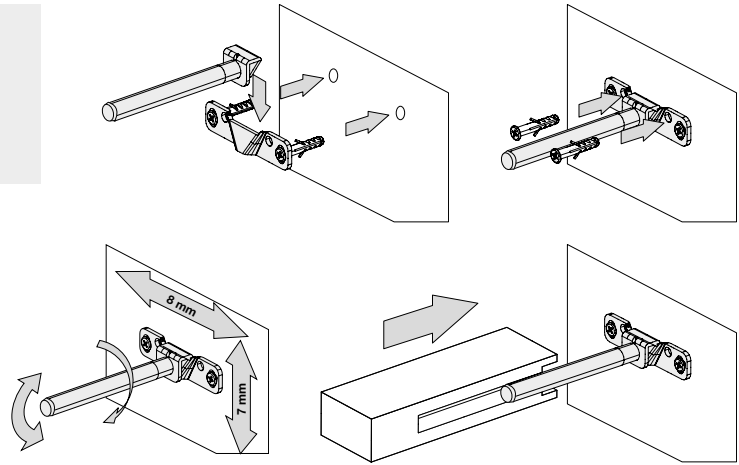


- For concealed installation with screw-on plate and adjustment
- For shelf thickness: ≥ 24 mm
- Adjustment: Inclination adjustment: Via support bolt
Height adjustment: Via slots in screw-on plate
Side adjustment: Via support bolt
- Installation: For screw fixing to support element
For mounting in drilled hole in shelf



Shelf Support

Material: Steel; Finish: galvanized

	Item No.
	283.33.941

Supplied With

4 Plastic wall plugs
Screws (4 pcs.)

Load bearing capacity (with two supports on 900 mm shelf, adding one support for every 450 mm increase in length)

Shelf Depth (mm)	Max. Load Bearing Capacity (kg)
175	20
200	17
225	15
250	14
275	13
300	12

Drilling and routing dimensions in shelf

