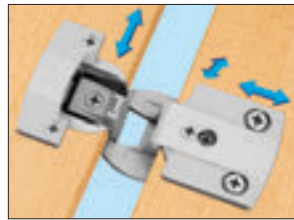


Aximat® 300 Single Pivot Hinge

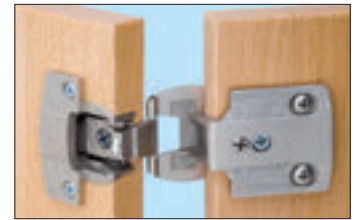
- Sleek sophisticated design, only 5 mm (3/16") of knuckle is visible
- Hinge arm component available with pre-installed expanding dowels for 5 mm holes, or for screw attachment
- Hinge cup component available in screw-mount or dowel-mount
- Arm and cup clip-together, no tools required
- For side panel thickness 19 mm (3/4")
- For door thicknesses up to 21 mm (13/16")
- Integrated catch keeps doors closed, no additional magnetic catches required
- For single cabinets and storage walls
- Available in Twin mounted version, 2 doors can be mounted on a single hinge on a single side panel

Note

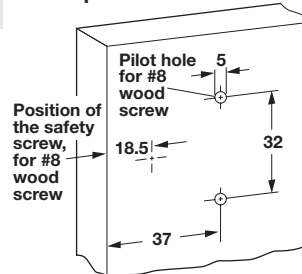
#6 wood screws for hinge attachment are not included.



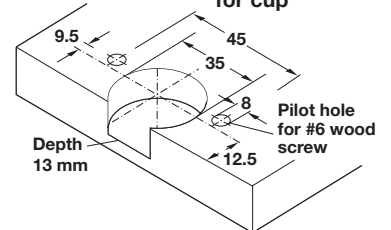
3D adjustment



Drilling pattern for side panel



Drilling pattern for cup



Cup

- Screw-mounted

Material: Zinc

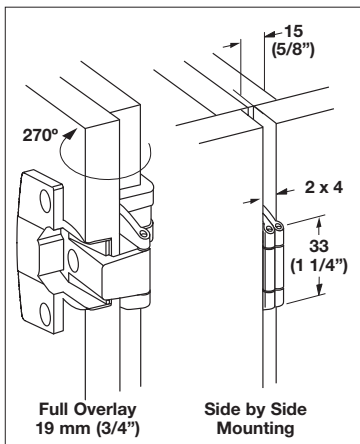
Finish/Color	Item No.
matt nickel	344.06.800
black	344.06.850

Cup for 8 mm holes

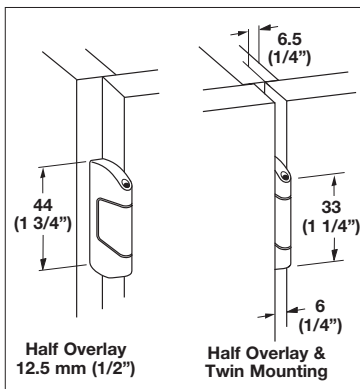
- Dowel-mounted

Material: Zinc

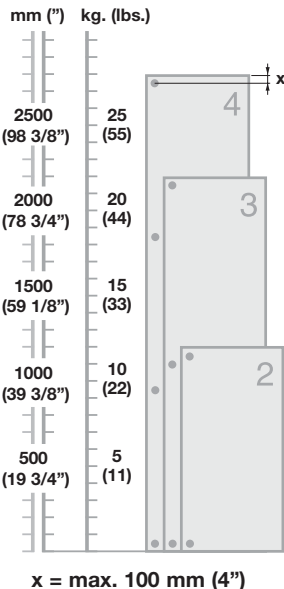
Finish/Color	Item No.
matt nickel	344.06.810
black	344.06.860



Door overlay 15 mm +
knuckle 4 mm = 19 mm (3/4")

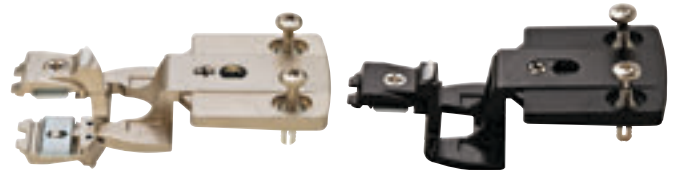


Door overlay 6.5 mm +
knuckle 6 mm = 12.5 mm (1/2")



Recommended number of Hinges

- Door widths up to 600 mm (23 5/8")
- Door width should not exceed height



Arm

- With pre-mounted expanding dowels for 5 mm holes

Material: Zinc

Finish/Color	Overlay	Opening angle	Item No.
matt nickel	Full	270°	344.06.900
black	Full	270°	344.06.950
matt nickel	Half	240°	344.06.901
matt nickel	Twin	180°	344.06.902

Note

Twin-mounted version requires 2 cups



Arm

- Without screws

Material: Zinc

Finish/Color	Opening angle	Item No.
matt nickel	270°	344.06.910
black	270°	344.06.960

Dimensional data not binding. We reserve the right to alter specifications without notice.

Flat head wood screws

page 11.144

Dimensions in mm
Inches are approximate