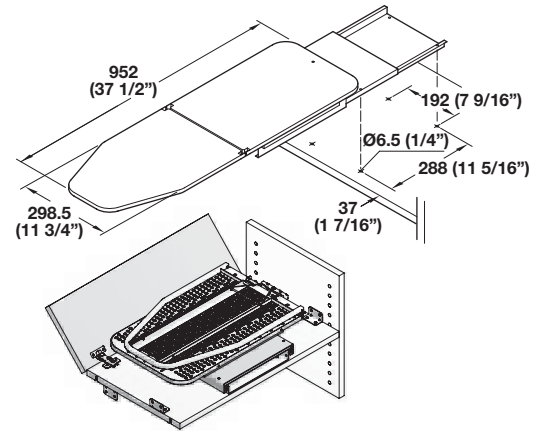


Ironfix®

- Fits into a 24" wide x 14" deep space
- Rotates 180° degrees with seven pre-set positions
- Due to the absence of ball bearing slides, clothing remains free from grease or pinch point damage
- Mounts to a shelf with through bolts (included)



4

Shelf-mounted Ironing Board

W x D x H: 520 x 350 x 130 mm (20 1/2" x 13 3/4" x 5 1/8")
Extended board length is 952 mm (37 1/2")

Material: Steel, epoxy-coated; Cover: Natural White Cotton with gray stripes, foam-backed

Color	Item No.
white RAL 9016	568.60.781

Supplied With

Installation hardware

Replacement Heat-resistant Cover

- For ironing board with elastic band

Material: Natural Cotton, foam-backed

Color	Item No.
white/gray striped	568.60.907



Dimensional data not binding. We reserve the right to alter specifications without notice.

Dimensions in mm
Inches are approximate