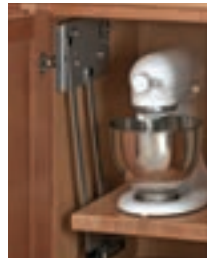
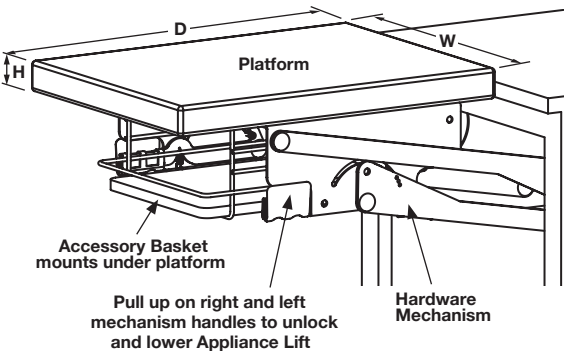


# APPLIANCE LIFT

- Kitchen appliances raise effortlessly with a gas cylinder assist and then lock securely into place
- Can be outfitted with a custom block platform or a quality pre-made maple wood platform
- Lift can be positioned at two different levels: flush with counter or 2" below counter



## HARDWARE MECHANISM

Width: Platform surface + 2 1/2"  
 Height: 23 61/64"  
 Depth: Maximum 13" or platform depth  
 Material: Steel; Finish: platinum

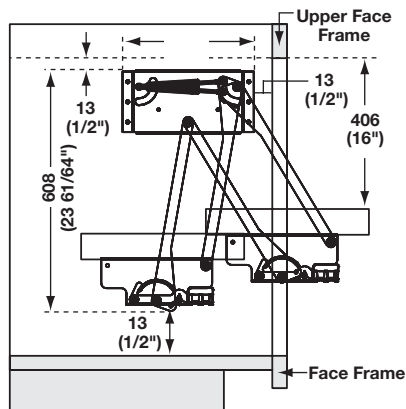
	ITEM NO.	SRP
	504.20.900	\$250.00

## Supplied With

- 1 Right arm
- 1 Left arm

## Note

Load capacity should not exceed 30 lbs.



**Note**  
 Install 1/2" down and 1/2" back from upper Face Frame (as shown)



## ACCESSORY BASKET

W x D x H: 9 7/8" x 4 7/8" x 12 7/8"  
 Material: Base: Maple; Surround: Steel; Finish: black

	ITEM NO.	SRP
	504.20.199	\$78.00



## BLOCK PLATFORM

Height: 1 1/2"  
 Depth: 18"  
 Material: Maple

WIDTH	ITEM NO.	SRP
13 1/2"	504.20.190	\$84.00
16 1/2"	504.20.191	\$98.00