




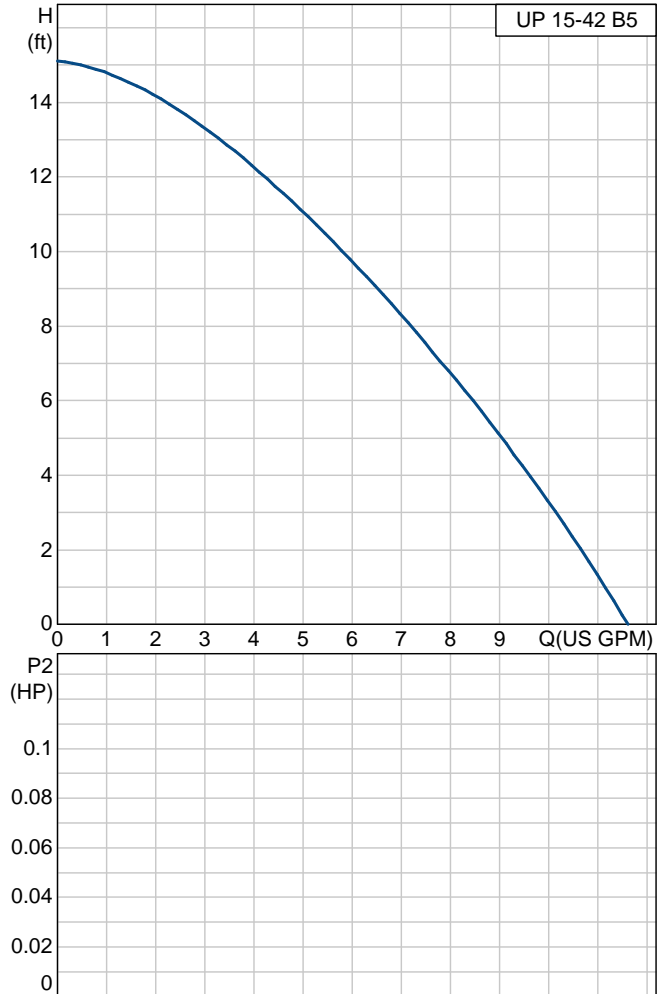
Position	Count	Description	Unit price
	1	<p>UP 15-42 B5</p>  <p>Product photo could vary from the actual product</p> <p>Product No.: 59896145 The pump is of the canned rotor type, i.e. pump and motor form an integral unit without shaft seal and with only two gaskets for sealing. The bearings are lubricated by the pumped liquid. The pump is characterized by:</p> <ul style="list-style-type: none"> * Ceramic shaft and radial bearings. * Carbon axial bearing. * Stainless steel rotor can and bearing plate. * Corrosion-resistant impeller, Composite, PES. * Bronze pump housing. <p>The motor is a 1-phase motor. No additional motor protection is required.</p> <p>Liquid: Liquid temperature range: 35.6 .. 230 °F</p> <p>Technical: Approvals on nameplate: UL, CSA</p> <p>Materials: Material, pump housing: Bronze 2.1176.01 DIN W.-Nr. Material, impeller: Composite, PES</p> <p>Installation: Maximum ambient temperature: 104 °F Amb. max at 175° F liquid: 176 °F Maximum operating pressure: 145 psi Standard, pipe connection: USA Sweat Type of connection: Brz. Sweat Size, pipe connection: 1/2" Sweat Pressure stage, pipe connec.: 145 psi Port-to-port length: 5 in</p> <p>Electrical data: Max. power input: 85 W Mains frequency: 60 Hz Rated voltage: 1 x 115 V Max. current: 0.74 A</p>	On request



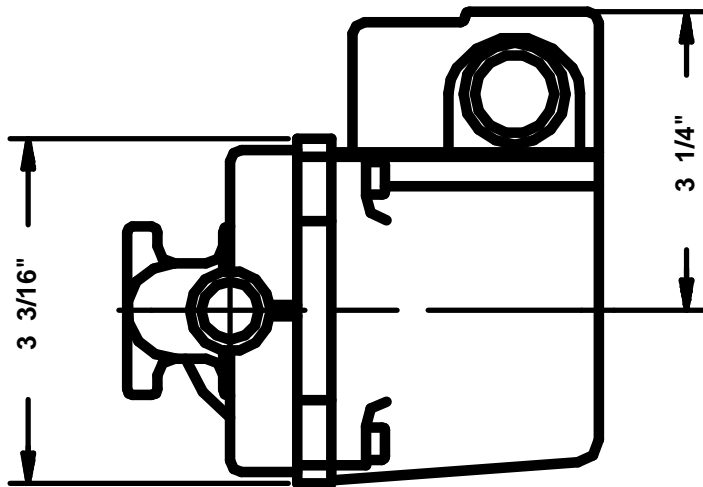
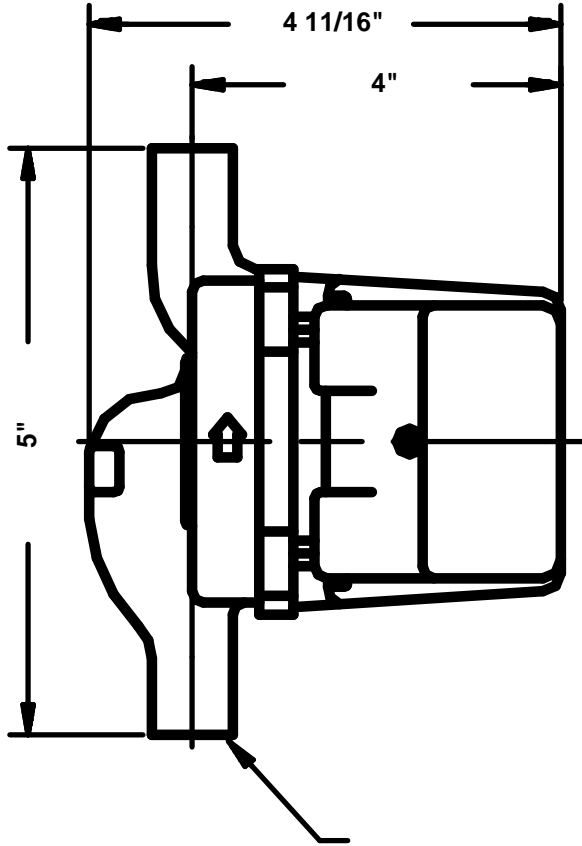
Company name: -
Created by: -
Phone: -
Fax: -
Date: -

Position	Count	Description	Unit price
		Capacitor size - run: 10 μ F/180 V Insulation class (IEC 85): F	

Description	Value
Product name:	UP 15-42 B5
Product Number:	59896145
EAN number:	5700391412462
Technical:	
Speed Number:	1
Approvals on nameplate:	UL, CSA
Materials:	
Material, pump housing:	Bronze
	2.1176.01 DIN W.-Nr.
Material, impeller:	Composite, PES
Installation:	
Maximum ambient temperature:	104 °F
Amb. max at 175° F liquid:	176 °F
Maximum operating pressure:	145 psi
Standard, pipe connection:	USA Sweat
Type of connection:	Brz. Sweat
Size, pipe connection:	1/2" Sweat
Pressure stage, pipe connec.:	145 psi
Port-to-port length:	5 in
Liquid:	
Liquid temperature range:	35.6 .. 230 °F
Electrical data:	
Max. power input:	85 W
Mains frequency:	60 Hz
Rated voltage:	1 x 115 V
Max. current:	0.74 A
Capacitor size - run:	10 µF/180 V
Insulation class (IEC 85):	F
Motor protection:	Contact
Thermal protec:	internal
Controls:	
Pos term box:	9H



59896145 UP 15-42 B5



All units are [mm] unless otherwise presented.