
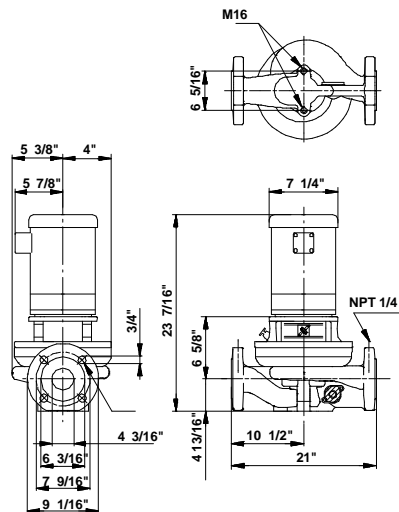
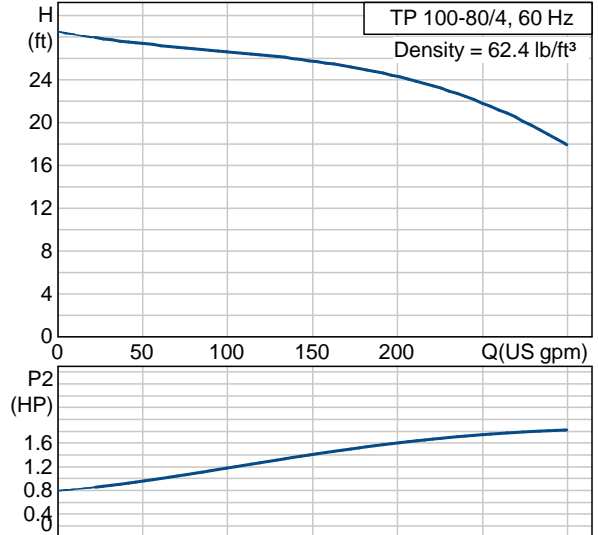




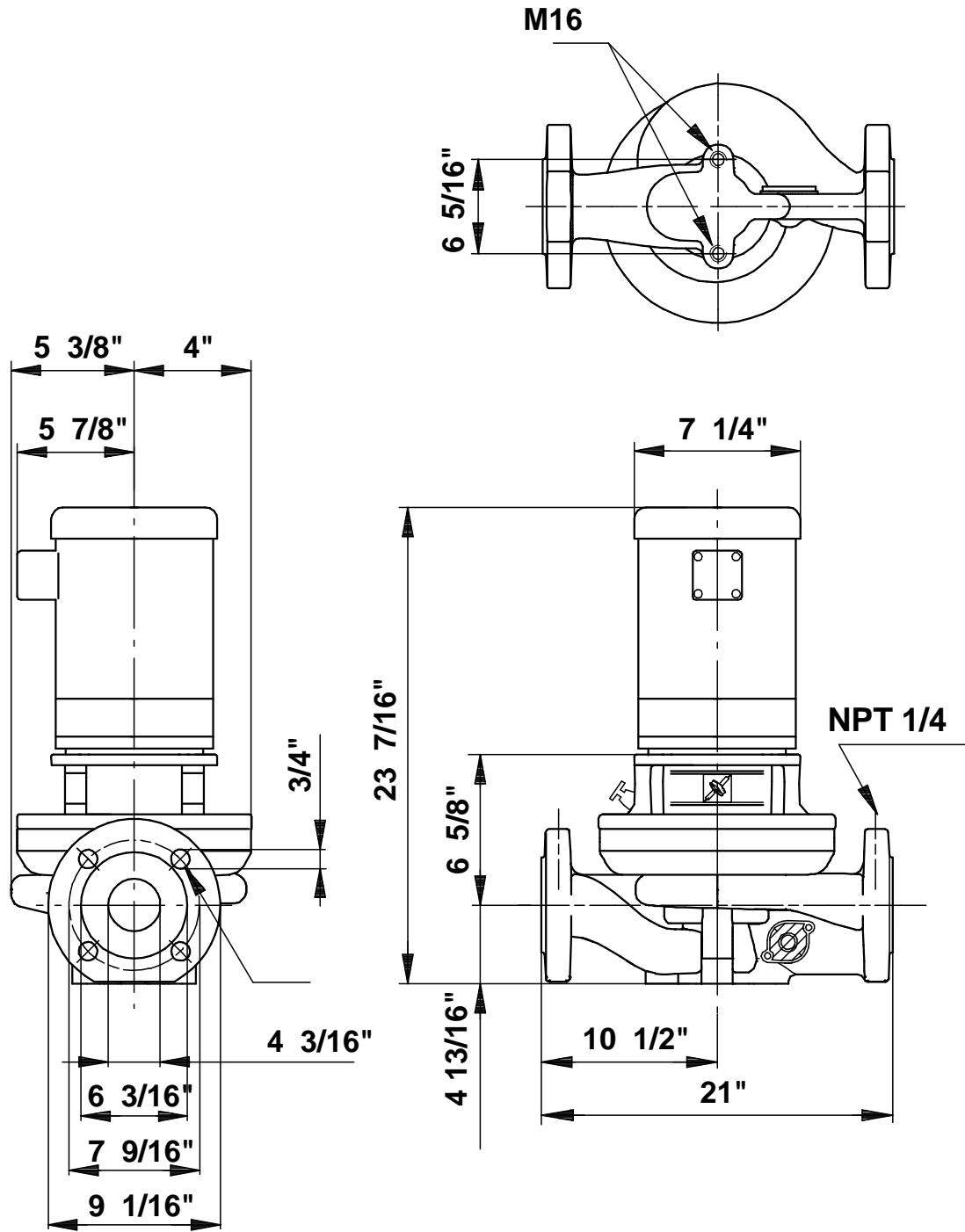
Position	Count	Description	Unit price
	-1	<p><b>TP 100-80/4 U-G-A-BUBE</b></p>  <p>Product photo could vary from the actual product</p> <p>Product No.: 96411846 Single-stage centrifugal in-line single-head pump.</p> <p>The in-line design with opposite suction and discharge ports enables mounting in pipework or on a concrete foundation.</p> <p>The shaft seal is a corrosion-resistant maintenance-free mechanical seal.</p> <p>The motor is a 1-phase AC motor.</p> <p><b>Liquid:</b> Liquid temperature range: 5 .. 284 °F Density: 62.4 lb/ft³</p> <p><b>Technical:</b> Speed for pump data: 1760 rpm Rated flow: 242 US gpm Rated head: 22.3 ft Shaft seal: BUBE Maximum operating pressure: 145 psi Approvals on motor nameplate: UL Recognized Component, CSA</p> <p><b>Materials:</b> Pump housing: Cast iron EN-JL1040 ASTM 25 B Impeller: Stainless steel DIN W.-Nr. 1.4301 AISI 304</p> <p><b>Installation:</b> Maximum ambient temperature: 104 °F Maximum operating pressure: 145 psi Flange standard: ANSI Pipe connection: 4" Pressure stage: 125 Lb.</p>	On request

Position	Count	Description	Unit price
		<p><b>Electrical data:</b></p> <p>Motor type: Baldor, TEFC</p> <p>Number of poles: 4</p> <p>Rated power - P2: 2.01 HP</p> <p>Main frequency: 60 Hz</p> <p>Rated voltage: 1 x 115/230 V</p> <p>Service factor: 1,15</p> <p>Rated current: 17,2/8,6 A</p> <p>Starting current: 234/117 A</p> <p>Cos phi - power factor: 99</p> <p>Rated speed: 1725 rpm</p> <p>Motor efficiency at full load: 78 %</p> <p>Insulation class (IEC 85): F</p> <p><b>Others:</b></p> <p>Net weight: 161 lb</p> <p>Gross weight: 170 lb</p> <p>Shipping volume: 4.98 ft<sup>3</sup></p>	

Description	Value
Product name:	TP 100-80/4 U-G-A-BUBE U-G-A-BUBE
Product Number:	96411846
EAN number:	5700390525989
<b>Technical:</b>	
Speed for pump data	1760 rpm
Rated flow:	242 US gpm
Rated head:	22.3 ft
Head max:	26.2 ft
Shaft seal:	BUBE
Maximum operating pressure	145 psi
Approvals on motor nameplate:	UL Recognized Component, CSA
Pump Number:	96405359
Pump version:	U
<b>Materials:</b>	
Pump housing:	Cast iron EN-JL1040 ASTM 25 B
Impeller:	Stainless steel DIN W.-Nr. 1.4301 AISI 304
Material code:	A
<b>Installation:</b>	
Maximum ambient temperature:	104 °F
Maximum operating pressure	145 psi
Flange standard:	ANSI
Connect code:	G
Pipe connection:	4"
Pressure stage:	125 Lb.
<b>Liquid:</b>	
Liquid temperature range	5 .. 284 °F
Density:	62.4 lb/ft <sup>3</sup>
<b>Electrical data:</b>	
Motor type:	Baldor, TEFC
Number of poles:	4
Rated power - P2:	2.01 HP
KVA code:	J
Main frequency:	60 Hz
Rated voltage:	1 x 115/230 V
Service factor:	1,15
Rated current:	17,2/8,6 A
Starting current	234/117 A
Load current:	19,5/9,8 A
Cos phi - power factor:	99
Rated speed:	1725 rpm
Motor efficiency at full load:	78 %
Insulation class (IEC 85):	F
Motor protection:	CONTACT
Thermal protec:	internal
Motor Number:	86680006
<b>Others:</b>	
Net weight:	161 lb
Gross weight:	170 lb
Shipping volume:	4.98 ft <sup>3</sup>
Country code:	Namreg



96411846 TP 100-80/4 60 Hz



Note! All units are in [mm] unless others are stated.  
 Disclaimer: This simplified dimensional drawing does not show all details.