


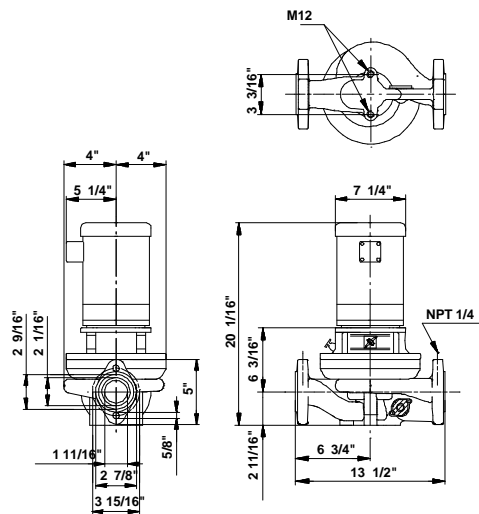
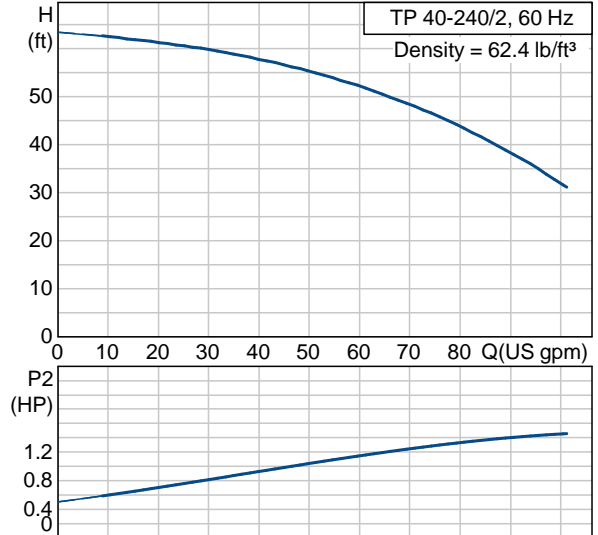
Position	Count	Description	Unit price
	-1	<p data-bbox="342 338 646 367">TP 40-240/2 U-G-A-BUBE</p> <div data-bbox="354 369 732 703">  </div> <p data-bbox="737 674 1234 703">Product photo could vary from the actual product</p> <p data-bbox="354 732 883 789">Product No.: 96411802 Single-stage centrifugal in-line single-head pump.</p> <p data-bbox="354 819 876 900">The in-line design with opposite suction and discharge ports enables mounting in pipework or on a concrete foundation.</p> <p data-bbox="354 932 758 989">The shaft seal is a corrosion-resistant maintenance-free mechanical seal.</p> <p data-bbox="354 1018 716 1047">The motor is a 1-phase AC motor.</p> <p data-bbox="354 1102 435 1131">Liquid:</p> <p data-bbox="354 1134 826 1190">Liquid temperature range: 5 .. 284 °F Density: 62.4 lb/ft³</p> <p data-bbox="354 1220 475 1249">Technical:</p> <p data-bbox="354 1251 1071 1421">Speed for pump data: 3490 rpm Rated flow: 63 US gpm Rated head: 51.2 ft Shaft seal: BUBE Maximum operating pressure: 145 psi Approvals on motor nameplate: UL Recognized Component, CSA</p> <p data-bbox="354 1451 467 1480">Materials:</p> <p data-bbox="354 1482 912 1652">Pump housing: Cast iron EN-JL1040 ASTM 25 B Impeller: Stainless steel DIN W.-Nr. 1.4301 AISI 304</p> <p data-bbox="354 1682 492 1711">Installation:</p> <p data-bbox="354 1713 795 1824">Maximum ambient temperature: 104 °F Maximum operating pressure: 145 psi Flange standard: USA Pipe connection: 1 1/2"</p> <p data-bbox="354 1854 526 1883">Electrical data:</p>	On request



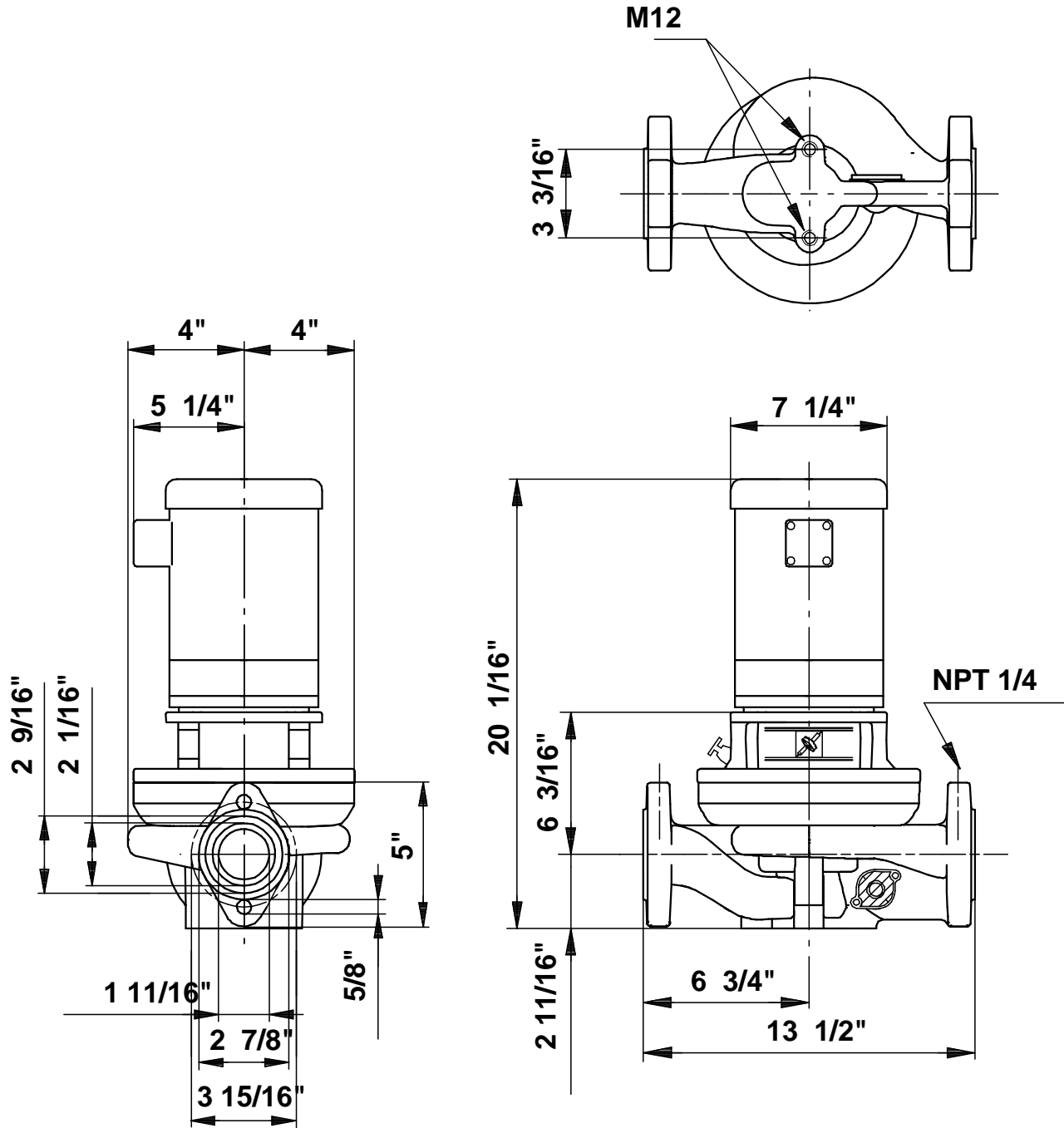
Company name: -
 Created by: -
 Phone: -
 Fax: -
 Date: -

Position	Count	Description	Unit price
		Motor type: Baldor, TEFC Number of poles: 2 Rated power - P2: 1.48 HP Main frequency: 60 Hz Rated voltage: 1 x 115/208-230 V Service factor: 1,3 Rated current: 17/9,5-8,6 A Starting current: 79,8/43,8-39,9 A Cos phi - power factor: 79 Rated speed: 3450 rpm Motor efficiency at full load: 71 % Insulation class (IEC 85): B Others: Net weight: 80.9 lb Gross weight: 87.5 lb Shipping volume: 1.98 ft ³	

Description	Value
Product name:	TP 40-240/2 U-G-A-BUBE U-G-A-BUBE
Product Number:	96411802
EAN number:	5700390524302
Technical:	
Speed for pump data	3490 rpm
Rated flow:	63 US gpm
Rated head:	51.2 ft
Head max:	78.7 ft
Shaft seal:	BUBE
Maximum operating pressure	145 psi
Approvals on motor nameplate:	UL Recognized Component, CSA
Pump Number:	96405259
Pump version:	U
Materials:	
Pump housing:	Cast iron EN-JL1040 ASTM 25 B
Impeller:	Stainless steel DIN W.-Nr. 1.4301 AISI 304
Material code:	A
Installation:	
Maximum ambient temperature:	104 °F
Maximum operating pressure	145 psi
Flange standard:	USA
Connect code:	G
Pipe connection:	1 1/2"
Liquid:	
Liquid temperature range	5 .. 284 °F
Density:	62.4 lb/ft³
Electrical data:	
Motor type:	Baldor, TEFC
Number of poles:	2
Rated power - P2:	1.48 HP
KVA code:	K
Main frequency:	60 Hz
Rated voltage:	1 x 115/208-230 V
Service factor:	1,3
Rated current:	17,9,5-8,6 A
Starting current	79,8/43,8-39,9 A
Load current:	20,4/11,3-10,2 A
Cos phi - power factor:	79
Rated speed:	3450 rpm
Motor efficiency at full load:	71 %
Insulation class (IEC 85):	B
Motor protection:	CONTACT
Thermal protec:	internal
Motor Number:	85700005
Others:	
Net weight:	80.9 lb
Gross weight:	87.5 lb
Shipping volume:	1.98 ft³
Country code:	Namreg



96411802 TP 40-240/2 60 Hz



Note! All units are in [mm] unless others are stated.
 Disclaimer: This simplified dimensional drawing does not show all details.