




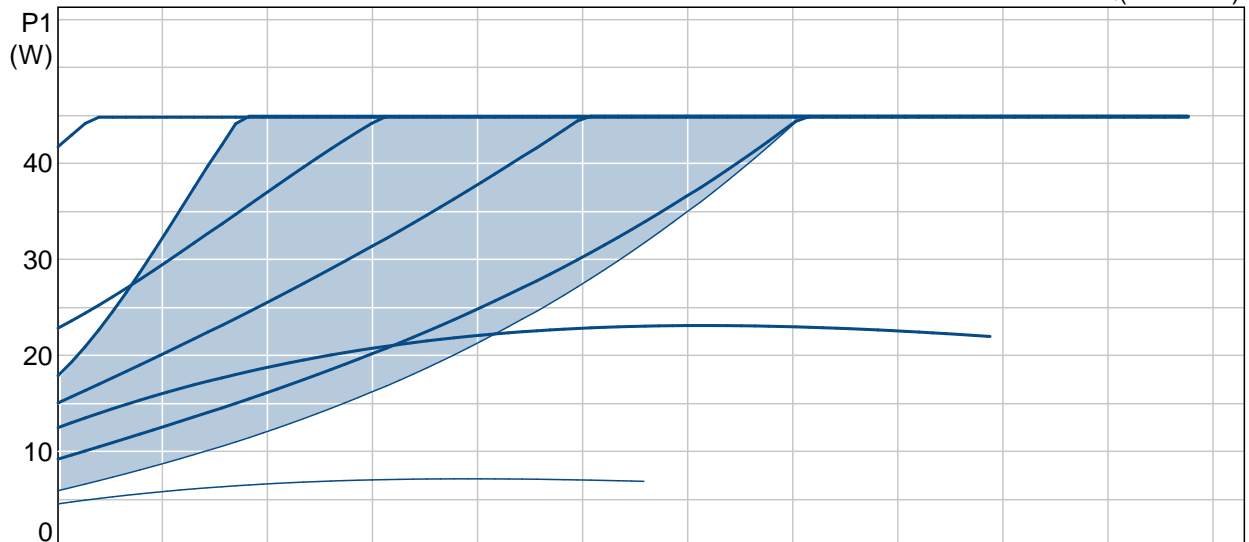
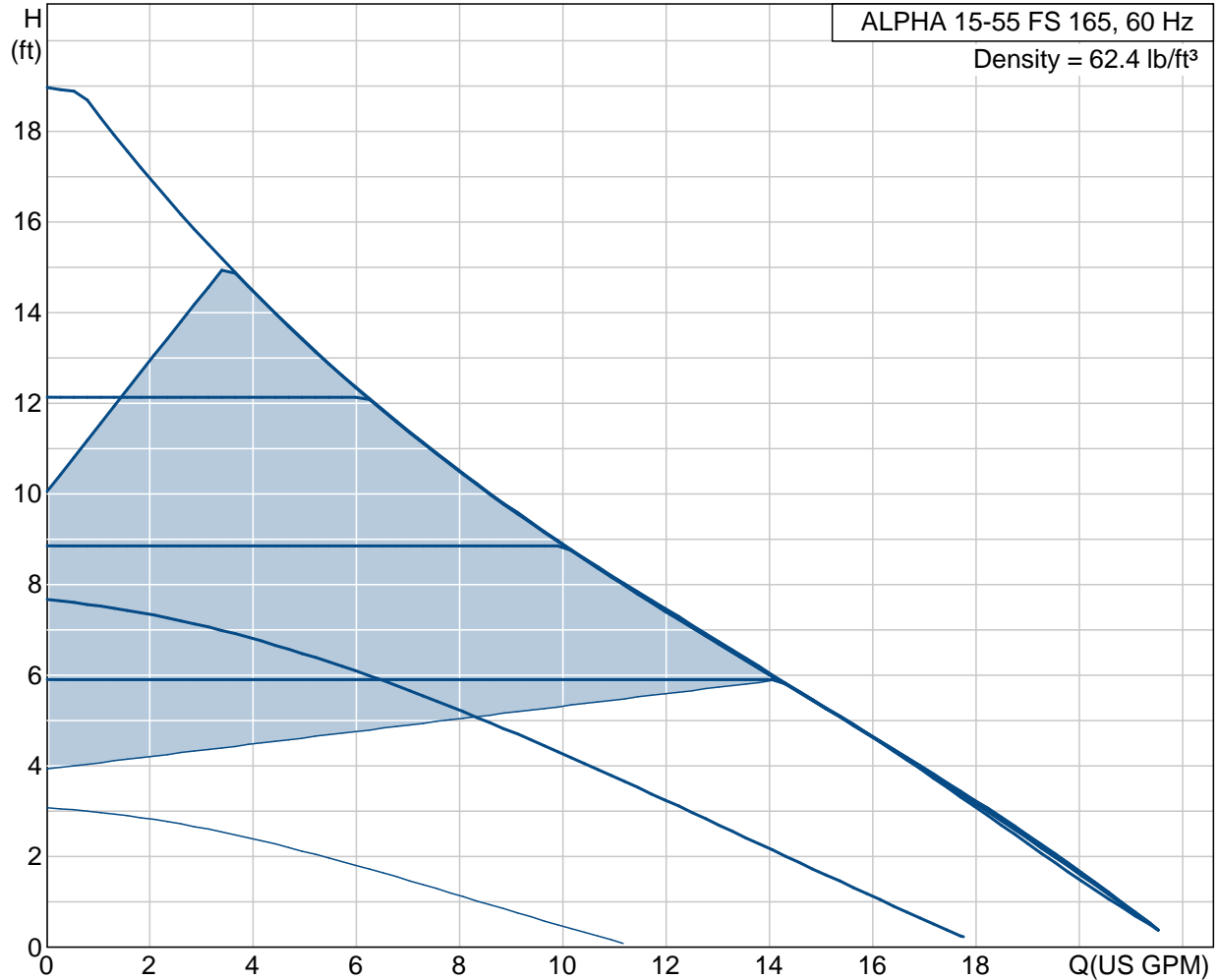
Position	Qty.	Description	Single Price
	-1	<p data-bbox="331 338 570 367">ALPHA 15-55 FS 165</p> <div data-bbox="331 369 711 793" style="border: 1px solid black; text-align: center;">  </div> <p data-bbox="716 764 1247 793">Note! Product picture may differ from actual product</p> <p data-bbox="331 821 581 850">Product No.: 59896879</p> <p data-bbox="331 877 555 907">GRUNDFOS ALPHA</p> <p data-bbox="331 909 865 938">The next generation of energy efficient circulators.</p> <p data-bbox="331 963 1321 1073">ALPHA is the latest and most innovative member of the Grundfos family of high-quality circulators. By incorporating a permanent magnet motor design, power consumption is now reduced by 50%. ALPHA adapts to the seasonal demands of your system without sacrificing comfort.</p> <p data-bbox="331 1100 1336 1209">With ALPHA, you can stop worrying about complicated pump settings. Simply install the pump and leave it in the factory setting, AUTOADAPTTM. ALPHA will automatically analyze the heating system, find the optimum setting and continue to adjust its operation to changes in demand. The result is optimum comfort and minimum energy consumption.</p> <p data-bbox="331 1241 480 1270">AUTOADAPT</p> <p data-bbox="331 1270 1325 1354">The factory setting, AUTOADAPT, analyses the heating system and automatically adjusts the pump setting to meet changes in heating demand. Ensuring lowest possible energy consumption, while maintaining maximum comfort levels.</p> <p data-bbox="331 1381 509 1411">Compact design</p> <p data-bbox="331 1413 1300 1522">The innovative design makes ALPHA the most compact Grundfos circulator available. With the electronics integrated into the motor housing and standard 2-Bolt flange connection, confined spaces and challenging applications are now possible.</p> <p data-bbox="331 1549 704 1579">Two options for power connections</p> <p data-bbox="331 1581 841 1610">Option 1: 6-foot line cord with three prong plug</p> <p data-bbox="331 1612 992 1642">Option 2: Conduit terminal box with push pin wire connection</p> <p data-bbox="331 1669 553 1698">One-touch operation</p> <p data-bbox="331 1701 1136 1730">Intuitive one-touch operation for selecting seven different hydraulic settings.</p> <p data-bbox="331 1732 505 1761">3 Fixed Speeds</p> <p data-bbox="331 1764 643 1793">3 Constant Pressure settings</p> <p data-bbox="331 1795 480 1824">AUTOADAPT</p> <p data-bbox="331 1852 467 1881">LED Display</p> <p data-bbox="331 1883 1232 1913">The easy-to-read LED display indicating power (Watts) consumption and flow (GPM)</p>	On request



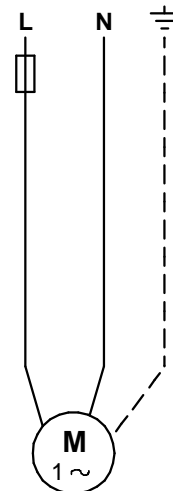
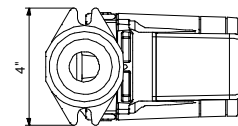
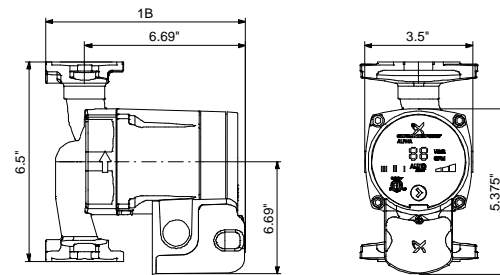
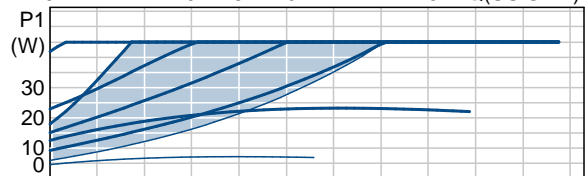
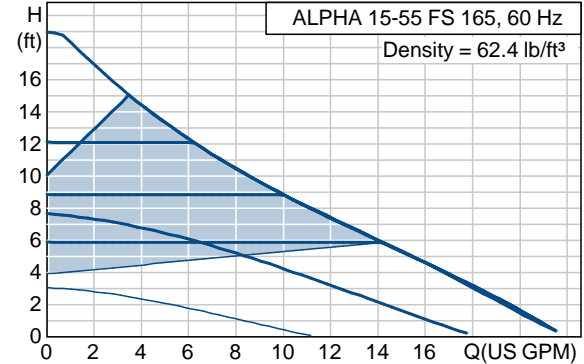
Company name: -
Created by: -
Phone: -
Fax: -
Date: -

Position	Qty.	Description	Single Price
		estimation. Liquid: Liquid temperature range: 35.6 .. 230 °F Density: 62.4 lb/ft ³ Technical: TF class: 110 Maximum operating pressure: 145 psi Approvals on nameplate: ETL, FCC Materials: Pump housing: S DIN W.-Nr. 14308 ASTM CF8 Impeller: Composite, PES Installation: Range of ambient temperature: 32 .. 104 °F Maximum operating pressure: 145 psi Pipe connection: GF 15/26 Pressure stage: PN 10 Port-to-port length: 6 1/2 in Electrical data: Power input - P1: 5 .. 45 W Maximum current consumption: 0.1 .. 0.65 A Mains frequency: 60 Hz Rated voltage: 1 x 115 V Enclosure class (IEC 34-5): 42 Insulation class (IEC 85): F Others: Gross weight: 7.5 lb Energy label: A	

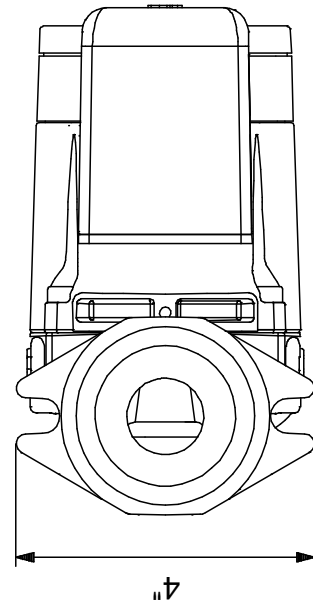
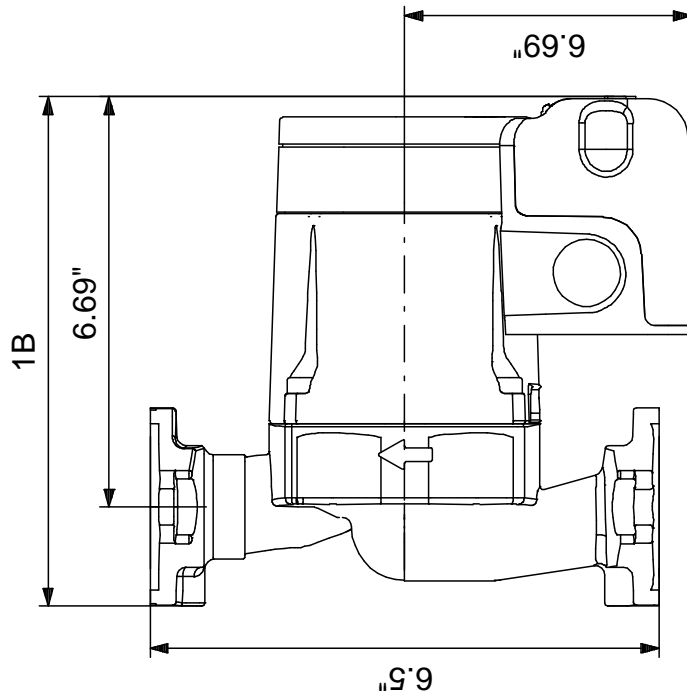
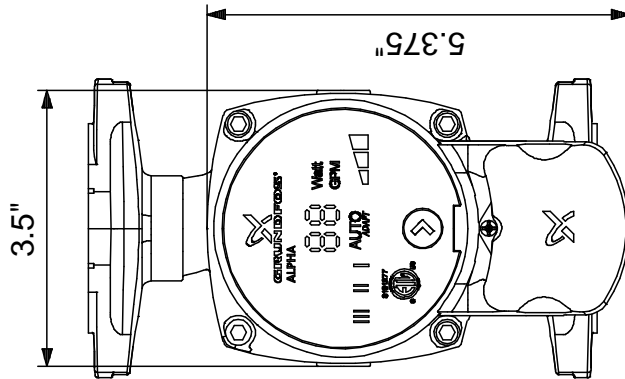
59896879 ALPHA 15-55 FS 165 60 Hz



Description	Value
Product name:	ALPHA 15-55 FS 165
Product No:	59896879
EAN number:	5710620164390
Technical:	
Head max:	18 ft
TF class:	110
Maximum operating pressure:	145 psi
Approvals on nameplate:	ETL, FCC
Materials:	
Pump housing:	S DIN W.-Nr. 14308 ASTM CF8
Impeller:	Composite, PES
Installation:	
Range of ambient temperature:	32 .. 104 °F
Maximum operating pressure:	145 psi
Pipe connection:	GF 15/26
Pressure stage:	PN 10
Port-to-port length:	6 1/2 in
Liquid:	
Liquid temperature range:	35.6 .. 230 °F
Density:	62.4 lb/ft³
Electrical data:	
Power input - P1:	5 .. 45 W
Maximum current consumption:	0.1 .. 0.65 A
Mains frequency:	60 Hz
Rated voltage:	1 x 115 V
Enclosure class (IEC 34-5):	42
Insulation class (IEC 85):	F
Motor protec:	NONE
Thermal protec:	ELEC
Controls:	
Pos term box:	6H
Others:	
Gross weight:	7.5 lb
Energy label:	A
Sales region:	Namreg

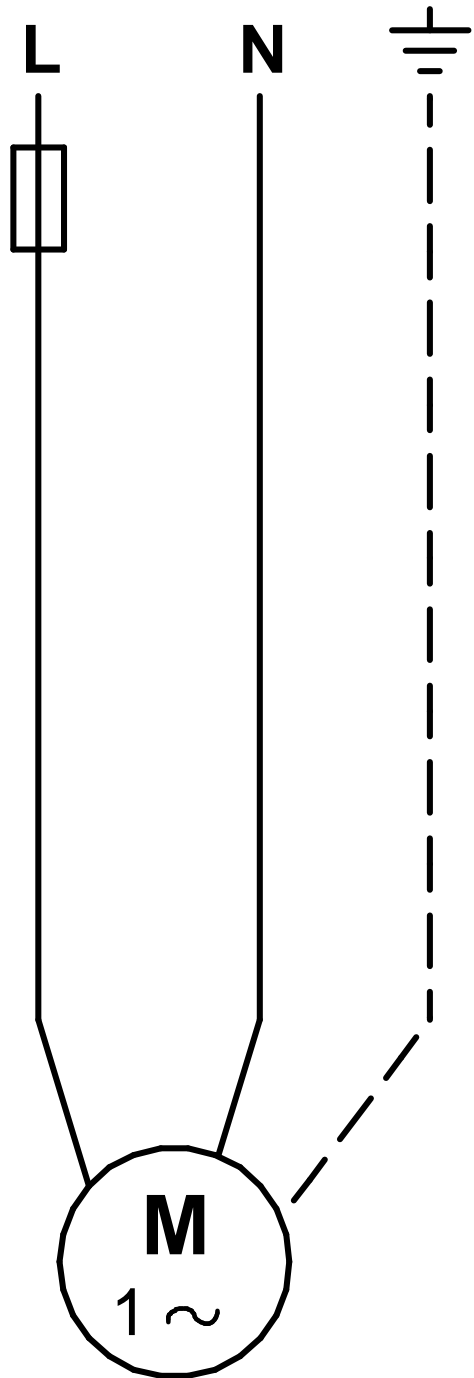


59896879 ALPHA 15-55 FS 165 60 Hz



Note! All units are in [mm] unless others are stated.
 Disclaimer: This simplified dimensional drawing does not show all details.

59896879 ALPHA 15-55 FS 165 60 Hz



Note! All units are in [mm] unless others are stated.