

Qty.	Description
------	-------------

1	CM 1-5 A-S-A-V-AQV E-A-A-N
---	----------------------------



Note! Product picture may differ from actual product

Product No.: [97568266](#)

Compact, reliable, horizontal, multistage, end-suction centrifugal pump with axial suction port and radial discharge port. The shaft, impellers and chambers are made of stainless steel. The inlet and discharge parts are made of cast iron. The mechanical shaft seal is a special designed, unbalanced O-ring seal. Pipework connection is via internal NPT pipe threads.

The pump is fitted with a 3-phase, foot-mounted, fan-cooled asynchronous motor.

### Further product details

Pump and motor are integrated in a compact and user-friendly design. The pump is fitted to a low base plate, making it ideal for installation in systems where compactness is important.

The state-of-the-art design and materials of the shaft seal ensure high wear resistance, improved sticking and dry-running capabilities and long operating life.

Servicing the pump requires no special service tools. Service parts are in stock for quick delivery and are available as kits, single parts or bulk. Service videos are available on [www.youtube.com](http://www.youtube.com).

### Pump

A combination of a stop ring and a Nord-lock® washer secures a tight and reliable fixation of the impeller spacing pipes to the splined pump shaft. It is possible to remove and fit the hydraulic parts from the pump side. The inlet part, chambers and discharge part are hold together by four staybolts.

The pump is fitted with an unbalanced O-ring seal with a rigid torque-transmission system. It has a fixed seal driver ensuring a reliable rotation of all parts. The dynamic secondary seal is an O-ring.

Seal faces:

- Rotating seal ring material: silicon carbide (SiC)
- Stationary seat material: silicon carbide (SiC)

This material pairing is used where higher corrosion resistance is required. The high hardness of this material pairing offers good resistance against abrasive particles.

Secondary seal material: FKM (fluorocarbon rubber)

FKM has excellent resistance to oils and chemicals. Above 90 °C, FKM should only be used in media without water.



The pump shaft is connected to the motor shaft through a left thread and tight fit. The shaft cannot be dismantled.

### Motor

**Qty. Description**

1 The motor is a totally enclosed, fan-cooled motor with principal dimensions to EN 50347. Electrical tolerances comply with EN 60034.

The motor efficiency is classified as premium efficiency in accordance with EISA2007.

An installation indicator is fitted to the motor fan cover. Based on the motor cooling air, it indicates the direction of rotation of the motor. The motor is fitted with a directional sticker.



**Technical data**

**Controls:**

Terminal box position: 12

Frequency converter: None

**Liquid:**

Pumped liquid: Water

Liquid temperature range: -4 .. 194 °F

Selected liquid temperature: 68 °F

Density: 62.29 lb/ft³

**Technical:**

Pump speed on which pump data are based: 3480 rpm

Rated flow: 8.98 US GPM

Rated head: 146.1 ft

Primary shaft seal: AQQV

Code for shaft seal: AQQV

Approvals: CE,CULUS,EAC,CURUS,UKCA

Approvals for drinking water: WRAS,ACS,NSF61

Curve tolerance: ISO9906:2012 3B

**Materials:**

Type key, code for materials: A

Type key, code for rubber components. E = EPDM, V=FKM: V

Pump housing: Cast iron

EN-GJL-200

ASTM A48-25A

Impeller: Stainless steel

EN 1.4301

AISI 304

**Installation:**

Range of ambient temperature: -4 .. 131 °F

Maximum operating pressure: 145.04 psi

Max pressure at stated temp: 145 psi / 194 °F



Company name:

Created by:

Phone:

Date:

22/04/2026

Qty.	Description
1	Type of connection: NPT(F) Size of inlet connection: 1 inch Size of outlet connection: 1 inch Terminal box position: 12 Outlet position: 12  Electrical data: Motor standard: NEMA Frame size: 71BA IE efficiency class: IE3 / NEMA Premium Rated power - P2: 0.992 HP Mains frequency: 60 Hz Suitable for 50/60 Hz (Yes/No): N Rated voltage: 3 x 220-230YY/440-480Y V Service factor: 1.00 Rated current: 3,4-3,6/1,7-1,8 A Rated speed: 3220-3370 rpm Enclosure class (IEC 34-5): IP55 Insulation class (IEC 85): F Ex-protection standard: NONE Cable included (Yes/No): N  Others: Minimum efficiency index, MEI $\geq$ : 0.7 Net weight: 27.6 lb Gross weight: 33.1 lb Country of origin: MX Custom tariff no.: 8413.70.2040



Company name:

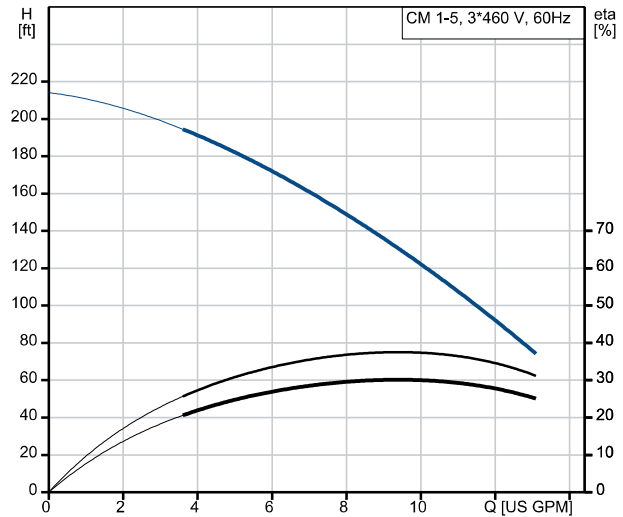
Created by:

Phone:

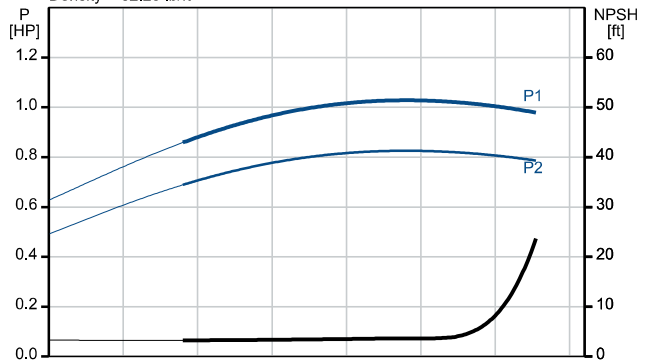
Date:

22/04/2026

Description	Value
<b>General information:</b>	
Product name:	CM 1-5 A-S-A-V-AQQV E-A-A-N
Product No:	97568266
EAN number:	5700318668279
<b>Technical:</b>	
Pump speed on which pump data are based:	3480 rpm
Rated flow:	8.98 US GPM
Rated head:	146.1 ft
Impellers:	5
Primary shaft seal:	AQQV
Code for shaft seal:	AQQV
Approvals:	CE,CULUS,EAC,CURUS,U KCA
Approvals for drinking water:	WRAS,ACS,NSF61
Curve tolerance:	ISO9906:2012 3B
Pump version:	A
Model:	A
<b>Materials:</b>	
Type key, code for materials:	A
Type key, code for rubber components. E = EPDM, V=FKM:	V
Pump housing:	Cast iron EN-GJL-200 ASTM A48-25A
Impeller:	Stainless steel EN 1.4301 AISI 304
Material code:	A
Code for rubber:	V
<b>Installation:</b>	
Range of ambient temperature:	-4 .. 131 °F
Maximum operating pressure:	145.04 psi
Max pressure at stated temp:	145 psi / 194 °F
Type key, code for pipework connection:	S
Type of connection:	NPT(F)
Size of inlet connection:	1 inch
Size of outlet connection:	1 inch
Terminal box position:	12
Outlet position:	12
Connect code:	S
<b>Liquid:</b>	
Pumped liquid:	Water
Liquid temperature range:	-4 .. 194 °F
Selected liquid temperature:	68 °F
Density:	62.29 lb/ft <sup>3</sup>
<b>Electrical data:</b>	
Motor standard:	NEMA
Frame size:	71BA
IE efficiency class:	IE3 / NEMA Premium
Rated power - P2:	0.992 HP
Mains frequency:	60 Hz
Suitable for 50/60 Hz (Yes/No):	N
Rated voltage:	3 x 220-230YY/440-480Y V
Service factor:	1.00



Pumped liquid = Water  
Liquid temperature during operation = 68 °F  
Density = 62.29 lb/ft<sup>3</sup>





Company name:

Created by:

Phone:

Date:

22/04/2026

Description	Value
Rated current:	3,4-3,6/1,7-1,8 A
Rated speed:	3220-3370 rpm
Enclosure class (IEC 34-5):	IP55
Insulation class (IEC 85):	F
Ex-protection standard:	NONE
Cable included (Yes/No):	N
<b>Controls:</b>	
Terminal box position:	12
Frequency converter:	None
<b>Others:</b>	
Minimum efficiency index, MEI $\geq$ :	0.7
Net weight:	27.6 lb
Gross weight:	33.1 lb
Country of origin:	MX
Custom tariff no.:	8413.70.2040



Company name:

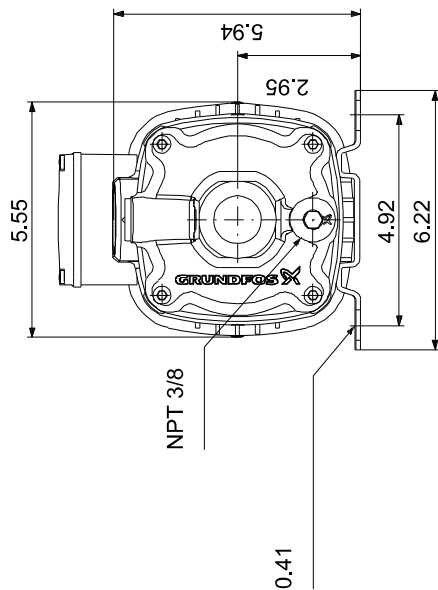
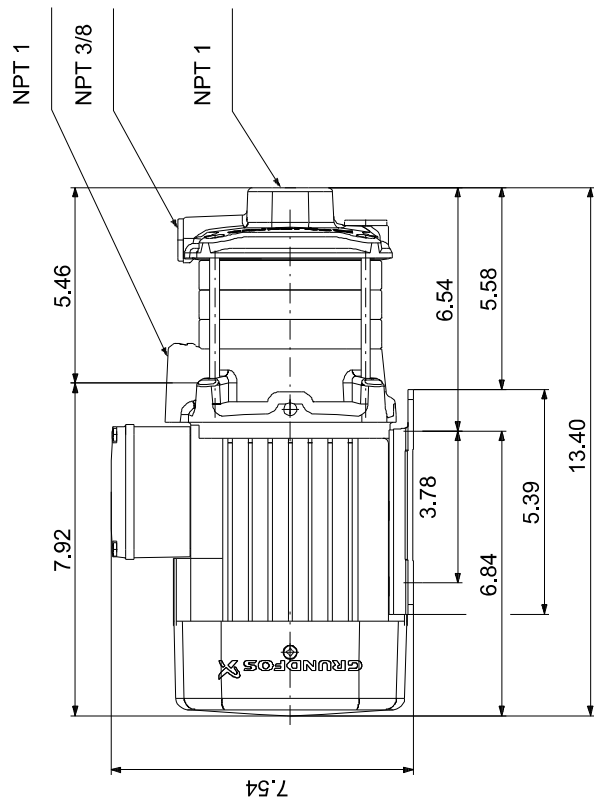
Created by:

Phone:

Date:

22/04/2026

# 97568266 CM 1-5 A-S-A-V-AQQV E-A-A-N 60 Hz



Note! All units are in [in] unless others are stated.  
Disclaimer: This simplified dimensional drawing does not show all details.