

Qty. Description

1 ALPHA HWR 15-55 SF/T



Note! Product picture may differ from actual product

Product No.: [92603110](#)

ALPHA HWR 15-55 SF/T is a high-efficiency circulator fitted with a stainless steel housing. It is designed for circulating domestic hot water in systems with a dedicated return line.

It features an integrated digital timer which enables scheduling through the Grundfos GO app and eliminates the need for a physical programmable timer. Homeowner can also set their own schedule through the Grundfos HOME app.

With the use of its integrated temperature estimator, ALPHA HWR helps reduce complexity during installation as an external temperature sensor is no longer needed.

The AUTOADAPT setting offers a simplified setup process removing the need to decide which setpoint to use.

With FLOWSENSE, ALPHA HWR can solve a number of challenges commonly found in domestic hot-water recirculation systems. Using flow limits, ALPHA HWR reduces the risk of flow-accelerated corrosion in the recirculation pipes by reducing the flow velocities while still providing enough flow to start the most common tankless boilers.



Company name:

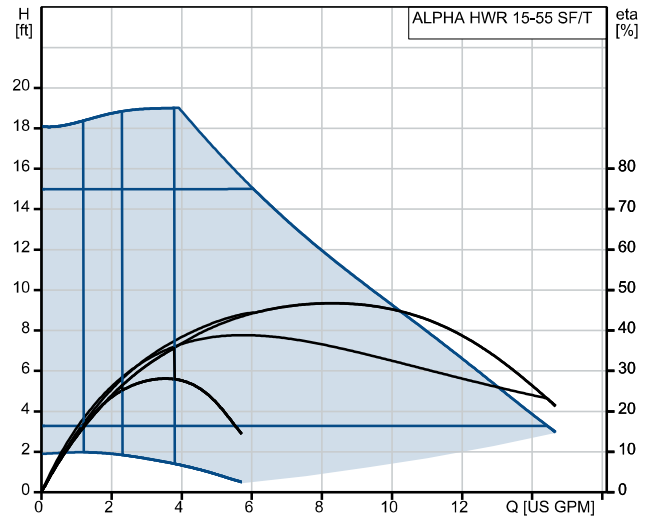
Created by:

Phone:

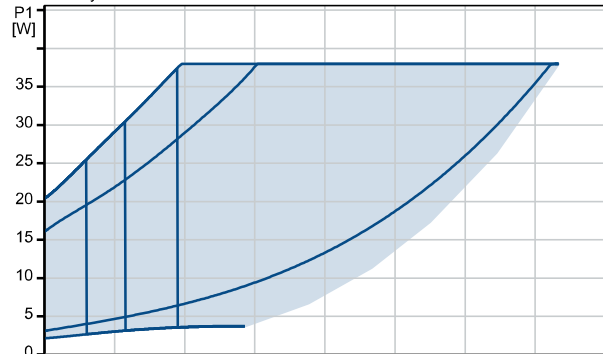
Date:

23/04/2026

Description	Value
General information:	
Product name:	ALPHA HWR 15-55 SF/T
Product No:	92603110
EAN number:	5715116925226
Technical:	
Rated flow:	8.37 US GPM
Rated head:	11.16 ft
Pump head orientation:	9H
TF class:	95
Approvals:	FCC,cULus,cULDWus
Model:	B
Materials:	
Pump housing:	Stainless steel EN 1.4308 ASTM A351-CF8
Impeller:	Composite PESU 30% gf + PESU-GF20%
Installation:	
Range of ambient temperature:	32 .. 131 °F
Maximum operating pressure:	174.92 psi
Type of connection:	2-bolt flange
Size of connection:	GF 15/26
Pressure rating for connection:	PN 12
Port-to-port length:	6 1/2 in
Liquid:	
Pumped liquid:	Water
Liquid temperature range:	35.6 .. 203 °F
Selected liquid temperature:	140 °F
Density:	61.35 lb/ft ³
Electrical data:	
P1 min.:	2 W
Max. P1:	38 W
Mains frequency:	60 Hz
Rated voltage:	1 x 115 V
Minimum current consumption:	0.06 A
Maximum current consumption:	0.71 A
Enclosure, type:	2
Insulation class (IEC 85):	F
Thermal protection:	Electronic
Others:	
Net weight:	5.34 lb
Gross weight:	6 lb
Shipping volume:	0.25 ft ³
Sales region:	Namreg
Country of origin:	DK
Custom tariff no.:	8413.70.2005



Pumped liquid = Water
 Liquid temperature during operation = 140 °F
 Density = 61,35 lb/ft³





Company name:

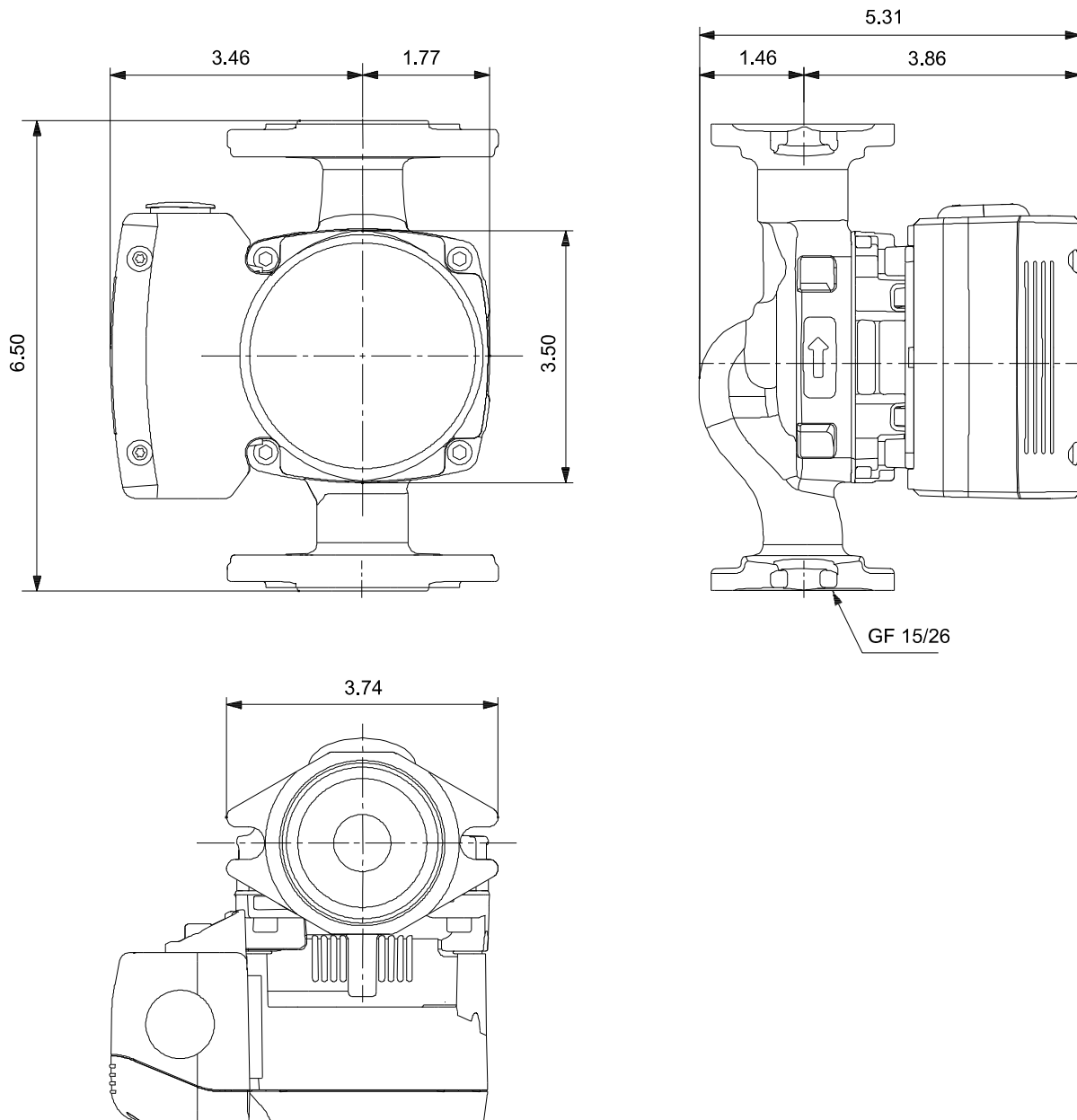
Created by:

Phone:

Date:

23/04/2026

92603110 ALPHA HWR 15-55 SF/T 60 Hz



Note! All units are in [in] unless others are stated.
Disclaimer: This simplified dimensional drawing does not show all details.