

27 868 Diverter Shower System



Features

Wall mounted

Includes:

Horizontal 17 11/16" swivel shower arm

Built-in diverter allows change between shower head and hand shower

Adjustable bar height with gliding element

Metal shower hose 59" (28417)

Optional 6" height extension (27921000) sold separately

Flow Rate

Maximum 2.5 gpm at 80 psi (9.5 L/min)

Code Compliance

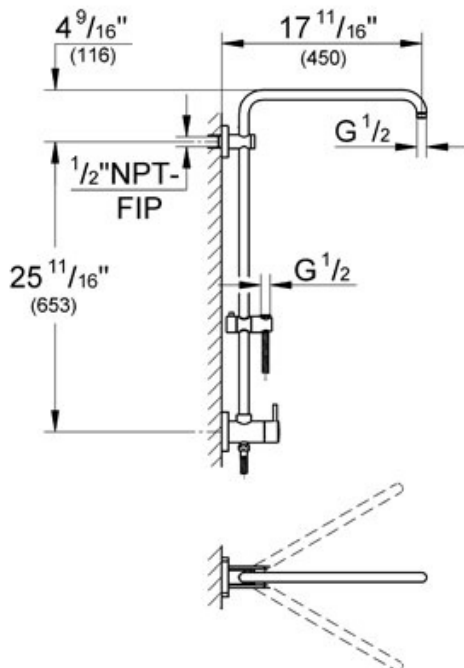
ASME/ANSI A112.18.1M

CSA Standard B125.1-05

ADA Compliant

Available Finishes

000 Starlight® Chrome



27 767 Shower Head



Features

7 1/2" Face
4 spray patterns
One-Click Showering (One Click - One Spray)
GROHE DreamSpray®Technology
Speedclean®Anti-Lime System

Spray Adjustable:
GROHE Rain O2/Rain/GROHE Bokoma Spray(TM)/Jet

Flow Rate

2.5 gpm

Available Finishes

000 Starlight® Chrome

27 673 Cosmopolitan Hand Shower



Features

5" Face
4 spray patterns
One-Click Showering (One Click - One Spray)
GROHE DreamSpray®Technology
Speedclean®Anti-Lime System

Spray Adjustable:
GROHE Rain O2/Rain/GROHE Bokoma Spray(TM)/Jet

Flow Rate

2.5 gpm

Available Finishes

000 Starlight® Chrome

19 312 Pressure Balance Valve trim with lever handle



Description

Arden lever handle
For use with Grohsafe® Rough-In Valve 35 015

Flow Rate

N/A

Code Compliance

ADA Compliant

Finish Options

19 312 OOO Starlight® Chrome
19 312 ENO Infinity Brushed Nickel

