

27 867

## RETRO-FIT™

### 260 SHOWER SYSTEM

Pure Freude  
an Wasser





#### STANDARD SPECIFICATION:

- GROHE StarLight®
- GROHE DreamSpray®
- Speed Clean® anti-lime system
- Wall mounted diverter shower system
- 17 1/16" Optional fixed or swivel Rainshower™ shower arm
- Switch between hand shower and shower head shower via built-in diverter
- 6 diverter functions (2 discrete functions (non shared) + one shared function in both standard and Eco flow)
- Adjustable height bar with gliding element
- Distance between diverter and upper bracket 25 3/4" (653 mm)
- Angle adapter to prevent hose interfering with shower valve
- System includes 2 back flow preventers
- 59" Metal shower hose (28 417)
- Euphoria® 260 shower head, 2.5gpm (26 457)
- 3 Sprays: Jet, SmartRain, Rain
- Euphoria® hand shower, 2.5gpm (27 239)
- 3 Sprays: Normal, SmartRain, Massage
- GROHE Retro-Fit™ shower system (26 485)
- Optional: Wall spacer for upper bracket (26 030) (sold separately)
- Optional: Shower system 6" height extension (26 464) (sold separately)





#### PRODUCT FEATURES:

-  GROHE StarLight®
-  GROHE DreamSpray®
-  Speed Clean®

#### CERTIFICATIONS:

- Energy Policy Act of 1992
- CSA B125.1
- ASME A112.18.1

#### AVAILABLE FINISHES:

-  **27867001** GROHE StarLight® Chrome
-  **27867EN1** Brushed Nickel InfinityFinish™

NOTE: Install this product according to the installation guide. ADA, CSA compliant when installed to the specific requirements of these regulations.

Tel: 1.630.582.7711 Fax: 1.630.582.7722  
We reserve the right to make revisions without notice to product specifications.  
For the most current Specification Sheet, go to [www.grohe.us](http://www.grohe.us).  
11-04-2021

PART OF **LIXIL**

27 867

**RETRO-FIT™**

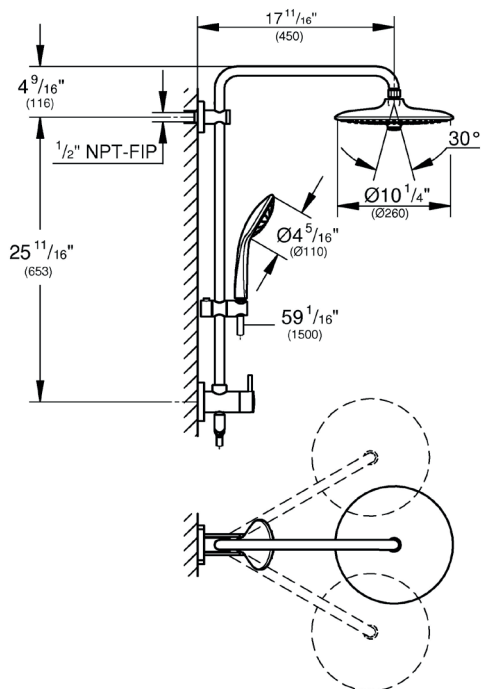
260 SHOWER SYSTEM

Pure Freude  
an Wasser



**TECHNICAL DATA:**

<b>Product Height</b>	<b>32-9/16 in</b>
<b>Product Length</b>	<b>20-11/16 in</b>
<b>Product Width</b>	<b>10-1/4 in</b>
<b>GPM (Min)-GPM (Max)</b>	<b>2.5 gal (US)/min</b>



# 14467

## ATRIO® PRESSURE BALANCE VALVE TRIM WITH CARTRIDGE

Pure Freude  
an Wasser






### STANDARD SPECIFICATION:

- GROHE StarLight®
- GROHE SilkMove®
- Metal handle
- Metal trim plate with GROHE QuickFix®
- Includes pressure balance cartridge with double ceramic technology
- Flow Rate: 5.2gpm (bottom) and 3.0 gpm (top port) at 45 psi (19 l/min)
- For use with GrohSafe 3.0 Rough-in Valve (35 110, 35 111, 35 112, 35 113, 35 114, 35 115, 35 116)



### PRODUCT FEATURES:

-  GROHE StarLight®
-  GROHE SilkMove®
-  GROHE QuickFix®

### CERTIFICATIONS:



- ADA
- CSA B125.1
- ASME A112.18.1

### AVAILABLE FINISHES:

14467000



14467EN0



NOTE: Install this product according to the installation guide. ADA, CSA compliant when installed to the specific requirements of these regulations.

Tel: 1.630.582.7711 Fax: 1.630.582.7722

We reserve the right to make revisions without notice to product specifications.

For the most current Specification Sheet, go to [www.grohe.us](http://www.grohe.us).

03-19-2020

PART OF **LIXIL**

# 14467

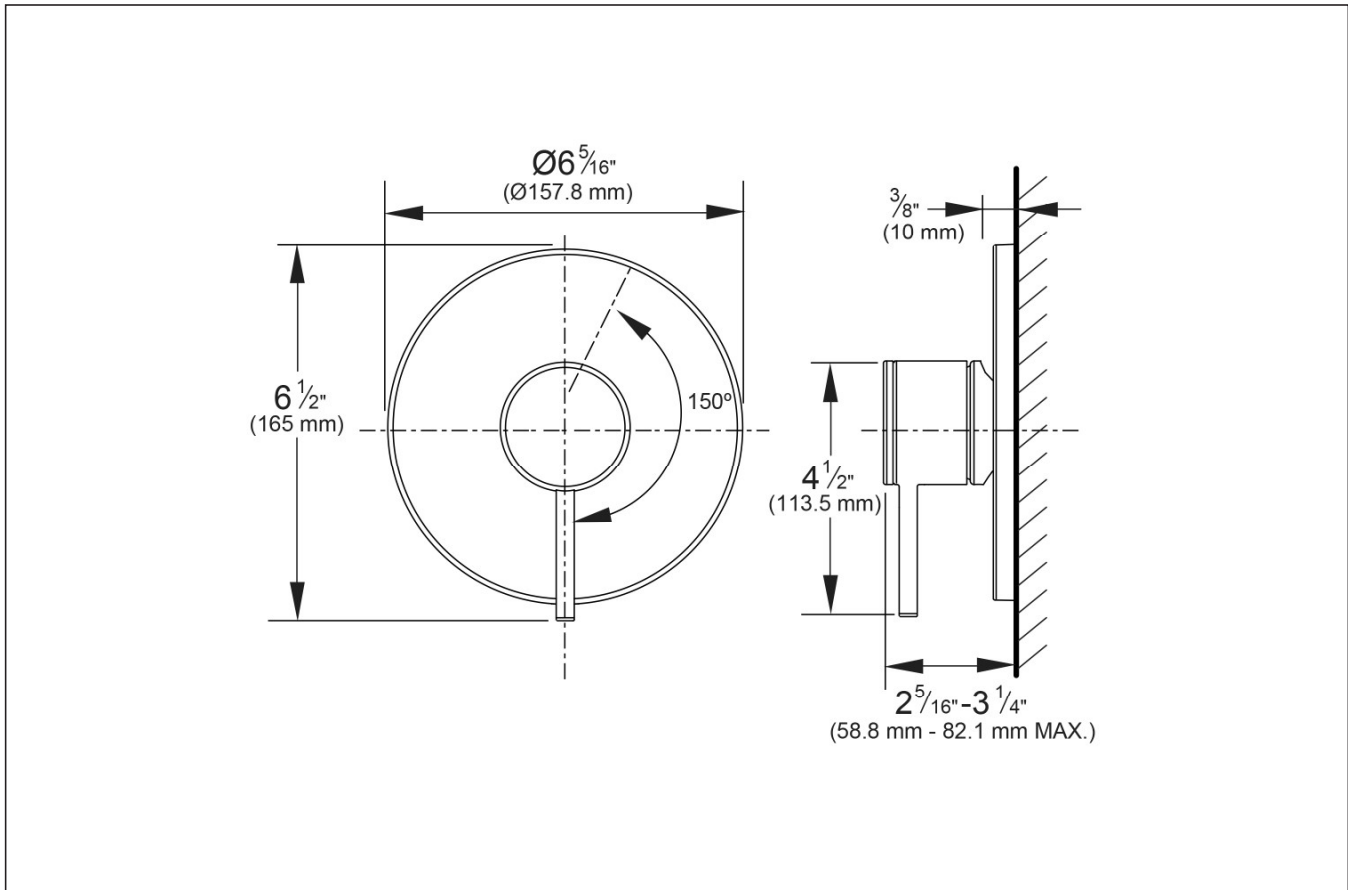
## ATRIO® PRESSURE BALANCE VALVE TRIM WITH CARTRIDGE

Pure Freude  
an Wasser



### TECHNICAL DATA:

Product Height	6-1/2 in
Product Length	6-5/16 in
Product Width	3-1/4 in



Tel: 1.630.582.7711 Fax: 1.630.582.7722  
We reserve the right to make revisions without notice to product specifications.  
For the most current Specification Sheet, go to [www.grohe.us](http://www.grohe.us).  
03-19-2020

PART OF LIXIL