

27 867 Diverter Shower System



Features

Wall mounted
Includes:
Horizontal 17 11/16" swivel shower arm
Built-in diverter allows change between shower head and hand shower
Euphoria Shower Head (28233) with rain spray with ball joint, (rotation angle +/- 20°)
Euphoria hand shower (27493) with normal spray
Adjustable bar height with gliding element
Metal shower hose 59" (28417)
GROHE DreamSpray® technology
GROHE CoolTouch® technology
SpeedClean® anti-lime system
Optional 6" height extension (27921000) sold separately

Flow Rate

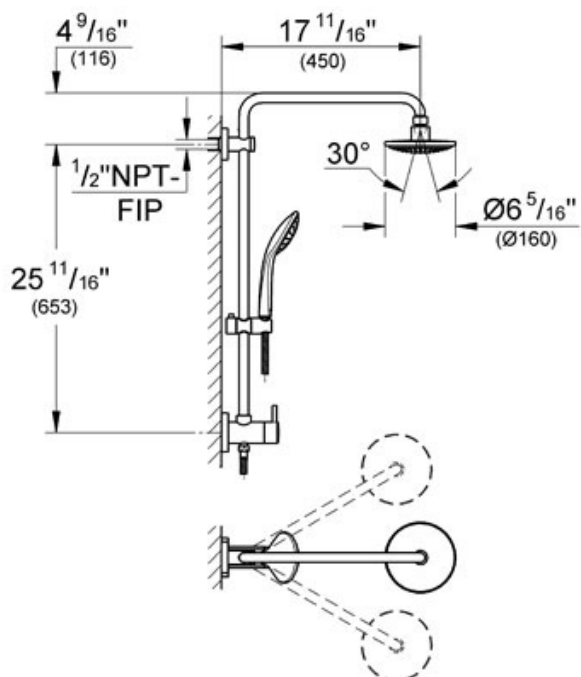
Maximum 2.5 gpm at 80 psi (9.5 L/min)

Code Compliance

ASME/ANSI A112.18.1M
CSA Standard B125.1-05
ADA Compliant

Available Finishes

000 Starlight® Chrome



19 843 Authentic Single Function Pressure Balance Trim with Control Module



Description

For shower only or shower/tub with diverter applications
 Integrated bypass option when used with diverter tub spout
 1 axis operation

For use with GrohFlex Universal Rough-In Box 35 026 000 sold separately.

Flow Rate

6.6 gpm at 45 psi (25 l/min)

Code Compliance

ASME/ANSI A112.18.1M
 CSA Standard B125.1-05
 ADA Compliant

Available Finishes

000 Starlight® Chrome
 BE0 Polished Nickel Infinity Finish
 EN0 Infinity Brushed Nickel
 ZB0 Oil Rubbed Bronze

