

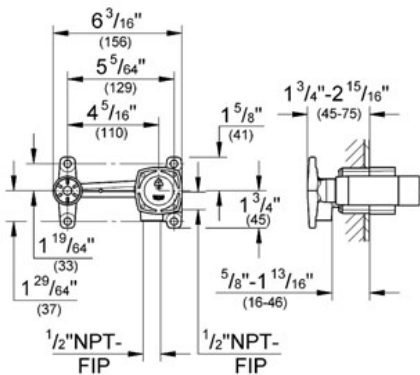
GRANDERA
Single-lever mixer 1/2", concealed
body

MODEL # 23320

Pure Freude an Wasser



GROHE America, Inc | 200 North Gary Avenue, Suite G, Roselle, IL 60172
Phone: +1 (800) 444-7643 | Fax: +1 (800) 225-2778 | us-customerservice@grohe.com



Product Description:

Single-lever mixer 1/2", concealed body

Standard Specification:

- GROHE SilkMove® ceramic cartridge
- For 2-hole basin mixers
- Wall installation
- Without finishing trim set
- Installation depth (1 3/4" - 3")
- Adjustable flow rate limiter
- Installation device
- 1/2" NPT Female Inlets
- Center to Center
- Case Brass Construction
- Max Flow Rate 1.5 gpm (5.7 L/min)

Applicable Codes & Standards:

- Energy Policy Act of 1992
- ASME A112.18.1/CSA B125.1

Color:

□ 23320 000