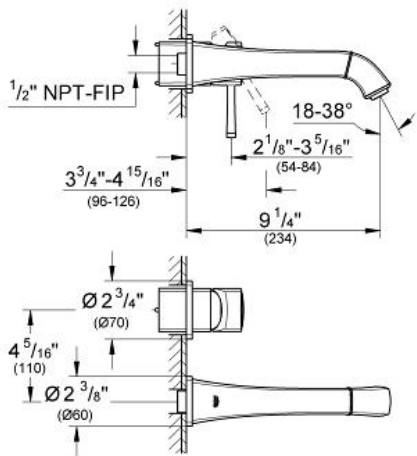


GRANDERA Two-Hole Basin Mixer M-Size

MODEL # 19931

GROHE America, Inc | 200 North Gary Avenue, Suite G, Roselle, IL 60172
Phone: +1 (800) 444-7643 | Fax: +1 (800) 225-2778 | us-customerservice@grohe.com

Pure Freude an Wasser



ADA

Product Description: Two-Hole Basin Mixer M-Size

Standard Specification:

- Wall mount
- Final installation set for:
- Without concealed body
- **GROHE StarLight®** finish
- **GROHE EcoJoy®** technology for less water and perfect flow
- **GROHE AquaGuide®** adjustable aerator 5.7 l/min
- Projection 9 1/4 inches
- Max Flow Rate 1.5 gpm (5.7 L/min)

Applicable Codes & Standards:

- Energy Policy Act of 1992
- ASME A112.18.1/CSA B125.1
- ICC/ANSI A117.1

Color:

- 19931 00A chrome
- 19931 000 chrome
- 19931 ENA brushed nickel
- 19931 EN0 brushed nickel

