

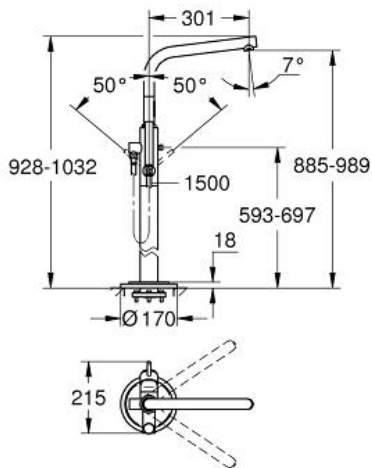
# ATRIO Single-lever Bath Mixer 1/2"

MODEL # 32135

*Pure Freude an Wasser*

**GROHE**

GROHE America, Inc | 200 North Gary Avenue, Suite G, Roselle, IL 60172  
Phone: +1 (800) 444-7643 | Fax: +1 (800) 225-2778 | us-customerservice@grohe.com



## ADA

### Product Description: Single-lever Bath Mixer 1/2"

#### Standard Specification:

- Floor standing tub filler
- Requires Rough-In Set 29 038 001 (sold separately)
- **GROHE StarLight®** finish
- **GROHE SilkMove®** ceramic cartridge
- Adjustable flow rate limiter
- 7° swivel tubular spout
- Stop limiter
- Diverter bath/shower
- 1/2" Integrated non-return valve in the shower outlet
- With shower holder
- Handshower (28 034)
- 59" shower hose
- **Protected against backflow**
- Min. recommended pressure 15 psi

#### Applicable Codes & Standards:

- Energy Policy Act of 1992
- ASME A112.18.1/CSA B125.1
- ICC/ANSI A117.1

#### Color:

- 32135 002 chrome