

19 725 Pressure Balance Valve trim with cross handle



Description

Cross handle

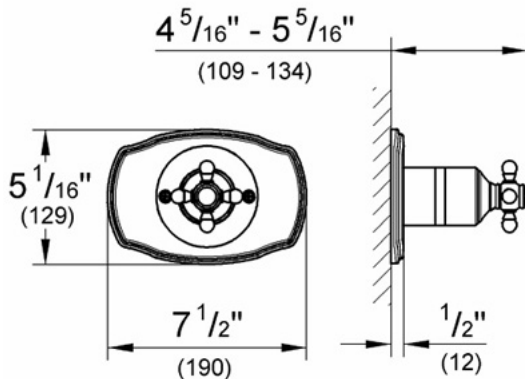
For use with Grohsafe® Pressure Balance Rough-In Valve 35 015 (sold separately)

Flow Rate

N/A

Finish Options

- 19 725 000 Starlight® Chrome
- 19 725 ROO Infinity Polished Brass
- 19 725 AVO Infinity Satin Nickel
- 19 725 RRO Velour Chrome
- 19 725 BEO Sterling Infinity Finish
- 19 725 ENO Infinity Brushed Nickel
- 19 725 ZBO Oil Rubbed Bronze



Geneva 13 612

Tub spout



Description

Cast brass body
Wall mount 3/4" inlet

Flow Rate

NA

Code Compliance

* ASME/ANSI A112.18.M

Finish Options

- 13 612 OOO Chrome
- 13 612 ROO Infinity Polished Brass
- 13 612 AVO Infinity Satin Nickel
- 13 612 RRO Velour Chrome
- 13 612 BEO Sterling Infinity Finish
- 13 612 ENO Infinity Brushed Nickel
- 13 612 ZBO Oil Rubbed Bronze

