

19 723 Pressure Balance Valve trim



Description

Trio spoke handle

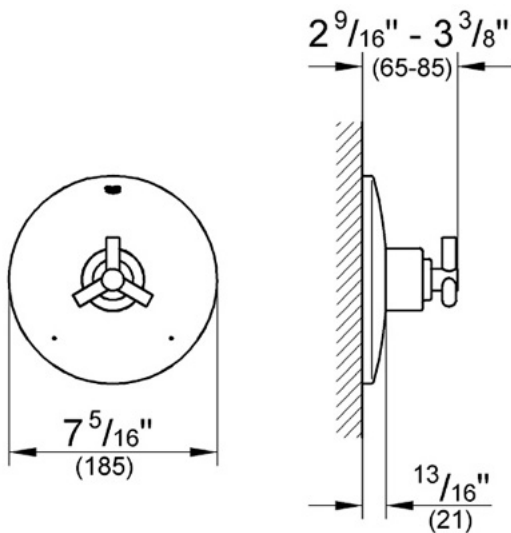
For use with Grohsafe® Pressure Balance Rough-In Valve 35 015 (sold separately)

Flow Rate

NA

Finish Options

- 19 723 000 Starlight® Chrome
- 19 723 AVO Infinity Satin Nickel
- 19 723 BEO Sterling Infinity Finish
- 19 723 ENO Infinity Brushed Nickel





Description

Wall union for hand shower hose connection
1/2" NPT female thread inlet

Flow Rate

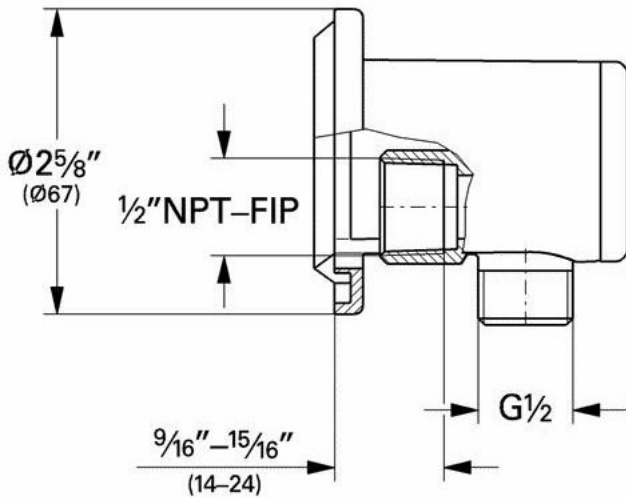
N/A

Code Compliance

* ASME/ANSI A112.18.M

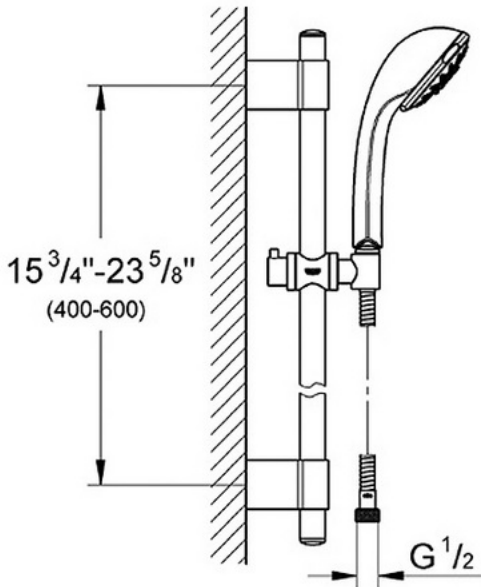
Finish Options

- 28 627 OOO Chrome
- 28 627 ROO Infinity Polished Brass
- 28 627 AVO Infinity Satin Nickel
- 28 627 RRO Velour Chrome
- 28 627 ENO Infinity Brushed Nickel



Relaxa Ultra 28 917

5 Shower System



Description

Relaxa Ultra hand Shower (28 897)
GROHE DreamSpray®; Technology
SpeedClean®; Anti-Lime System
Swivel hand shower holder with adjustable height
Variable fixing point mounting brackets for easy retrofit and corner mounting
Multi-function mounting brackets also serve as a hose guide

Flow Rate

2.5 gpm at 80 psi (9.5 lpm)

Code Compliance

- * ASME/ANSI A112.18.M
- * ASSE Standard 1016
- * ANSI/NSF Standard 61

Finish Options

- 28 917 OOO Chrome
- 28 917 ENO Infinity Brushed Nickel