

19 869 Cosmopolitan Single Function Thermostatic Trim with Control Module



Description

For shower only or shower/tub with diverter applications
 GROHE TurboStat® Technology
 Integrated volume control
 Integrated bypass option when used with diverter tub spout
 1 axis operation

For use with GrohFlex Universal Rough-In Box 35 026 000 sold separately.

Flow Rate

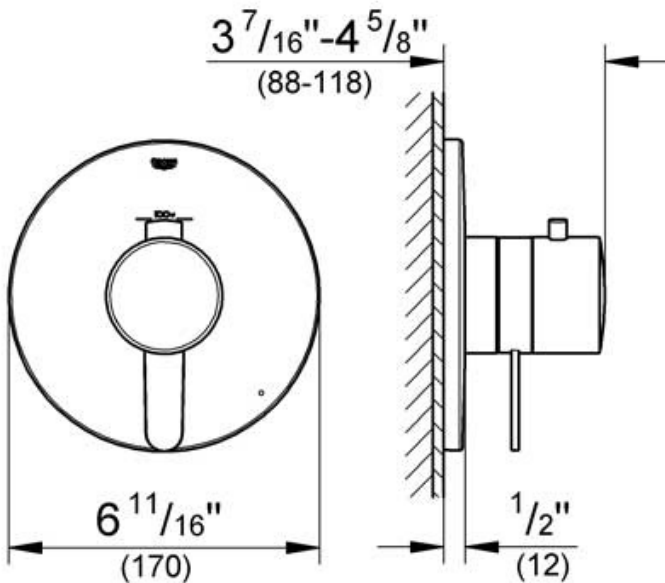
6.6 gpm at 45 psi (25 l/min)

Code Compliance

ASME/ANSI A112.18.1M
 CSA Standard B125.1-05

Available Finishes

000 Starlight® Chrome
 EN0 Infinity Brushed Nickel



27 247 Massage Shower Head



Description

3 spray patterns
1/2" Female Threads
Grohe DreamSpray® Technology
Grohe SprayDimmer (reduces flow)
Speedclean® Anti-Lime System
Spray Adjustable: Normal/Eco/Massage

Flow Rate

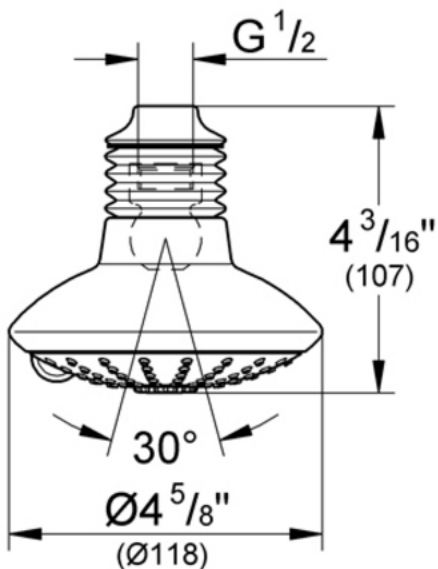
2.5 gpm at 80 psi (9.5 lpm)

Code Compliance

ASME/ANSI A112.18.1M

Finish Options

27 247 000 Starlight® Chrome



Accessories 27 414

Tubular shower arm



Description

5 5/8" tubular shower arm
with flange
1/2" male threads

Flow Rate

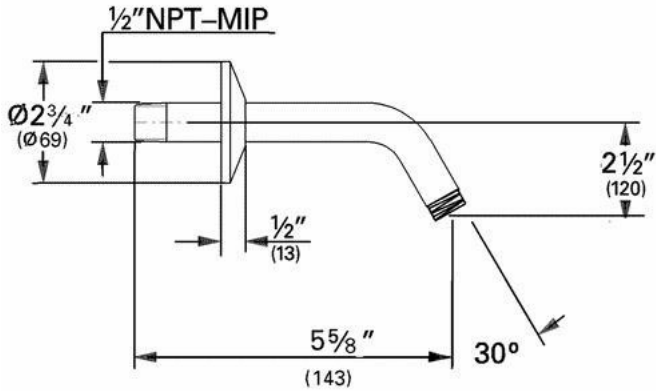
N/A

Code Compliance

* ASME/ANSI A112.18.M

Finish Options

27 414 000 Chrome



35 026 Universal Rough-In Box



Description

- 1/2" inlets and outlets
- Fixing points for front and back wall
- Leakproof housing
- Integrated service stops
- Flushing plug
- Removable protection cover with installation information

For use with the GrohFlex Bathroom Solution Kits (sold separately): Single Function, Dual Function, or Custom Shower.

Flow Rate

N/A

Code Compliance

ASME/ANSI A112.18.1M
CSA Standard B125.1-05

Available Finishes

000 Rough-In

