

## 19 722 Pressure Balance Valve trim with lever handle



### Description

Lever handle

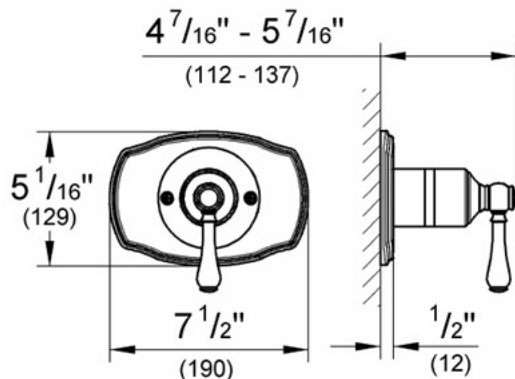
For use with Grohsafe® Pressure Balance Rough-In Valve 35 015 (sold separately)

### Flow Rate

N/A

### Code Compliance

ADA Compliant



### Finish Options

- 19 722 OOO Starlight® Chrome
- 19 722 ROO Infinity Polished Brass
- 19 722 AVO Infinity Satin Nickel
- 19 722 RRO Velour Chrome
- 19 722 BEO Sterling Infinity Finish
- 19 722 BAO Chrome/Porcelain
- 19 722 MAO Polished Brass/Porcelain
- 19 722 HAO Satin Nickel/Porcelain
- 19 722 PAO Sterling/Porcelain
- 19 722 BPO Brushed Nickel/Porcelain
- 19 722 ENO Infinity Brushed Nickel
- 19 722 ZBO Oil Rubbed Bronze

# Geneva 13 612

## Tub spout



### Description

Cast brass body  
Wall mount 3/4" inlet

### Flow Rate

NA

### Code Compliance

\* ASME/ANSI A112.18.M

### Finish Options

- 13 612 OOO Chrome
- 13 612 ROO Infinity Polished Brass
- 13 612 AVO Infinity Satin Nickel
- 13 612 RRO Velour Chrome
- 13 612 BEO Sterling Infinity Finish
- 13 612 ENO Infinity Brushed Nickel
- 13 612 ZBO Oil Rubbed Bronze

