

19 312 Pressure Balance Valve trim with lever handle



Description

Arden lever handle
For use with Grohsafe® Rough-In Valve 35 015

Flow Rate

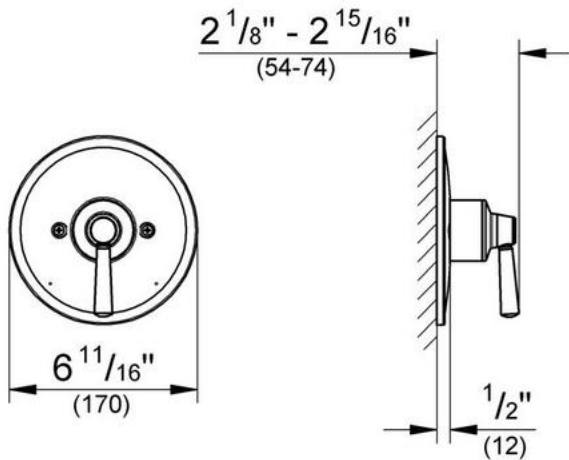
N/A

Code Compliance

ADA Compliant

Finish Options

19 312 OOO Starlight® Chrome
19 312 ENO Infinity Brushed Nickel



13 191 6" tub spout



Description

Cast Brass Construction
3/4" Inlet
Available in StarLight® Chrome and Brushed Nickel

Flow Rate

N/A

Finish Options

13 191 000 Starlight® Chrome
13 191 ENO Infinity Brushed Nickel

