

## 19 707 Pressure Balance Valve trim with cross handle



### Description

Cross handle

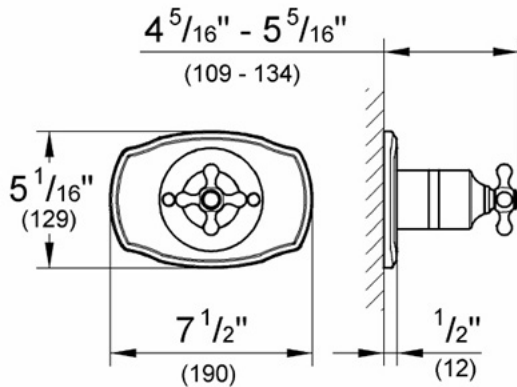
For use with Grohsafe® Pressure Balance Rough-In Valve 35 015 (sold separately)

### Flow Rate

N/A

### Finish Options

- 19 707 OOO Starlight® Chrome
- 19 707 ROO Infinity Polished Brass
- 19 707 AVO Infinity Satin Nickel
- 19 707 RRO Velour Chrome
- 19 707 BEO Sterling Infinity Finish
- 19 707 ENO Infinity Brushed Nickel
- 19 707 ZBO Oil Rubbed Bronze



## 27 130 Shower Head



### Description

---

6 1/4" face  
4 spray patterns  
1/2" NPT Female Threads  
GROHE DreamSpray® Technology  
SpeedClean® Anti-Lime System

### Flow Rate

---

N/A

### Code Compliance

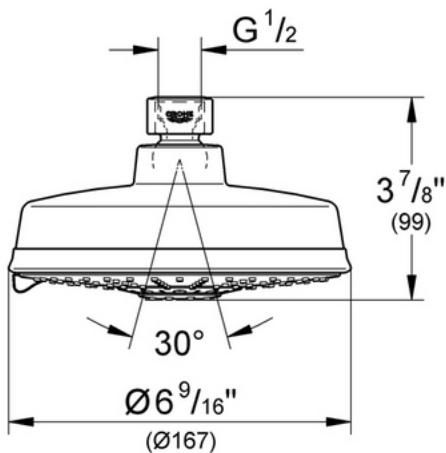
---

ASME/ANSI A112.18.1M

### Finish Options

---

27 130 OOO Starlight® Chrome  
27 130 BEO Sterling Infinity Finish  
27 130 ENO Infinity Brushed Nickel  
27 130 ZBO Oil Rubbed Bronze



# Seabury 13 603

## Tub spout, diverter



### Description

Cast brass  
Wall mount 3/4" inlet

### Flow Rate

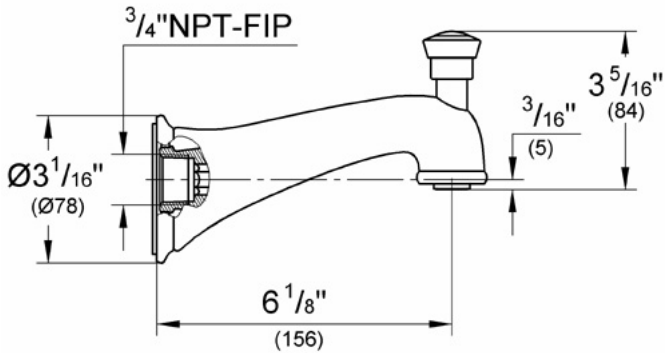
N/A

### Code Compliance

\* ASME/ANSI A112.18.M

### Finish Options

- 13 603 OOO Chrome
- 13 603 ROO Infinity Polished Brass
- 13 603 AVO Infinity Satin Nickel
- 13 603 RRO Velour Chrome
- 13 603 BEO Sterling Infinity Finish
- 13 603 ENO Infinity Brushed Nickel
- 13 603 ZBO Oil Rubbed Bronze



# Seabury 27 011

## Shower arm & flange



### Description

Tubular brass  
1/2" male threads

### Flow Rate

N/A

### Code Compliance

\* ASME/ANSI A112.18.M

### Finish Options

- 27 011 OOO Chrome
- 27 011 ROO Infinity Polished Brass
- 27 011 AVO Infinity Satin Nickel
- 27 011 RRO Velour Chrome
- 27 011 BEO Sterling Infinity Finish
- 27 011 ENO Infinity Brushed Nickel
- 27 011 ZBO Oil Rubbed Bronze

