

Geneva 27 012

Shower arm & flange



Description

Tubular brass
1/2" male threads

Flow Rate

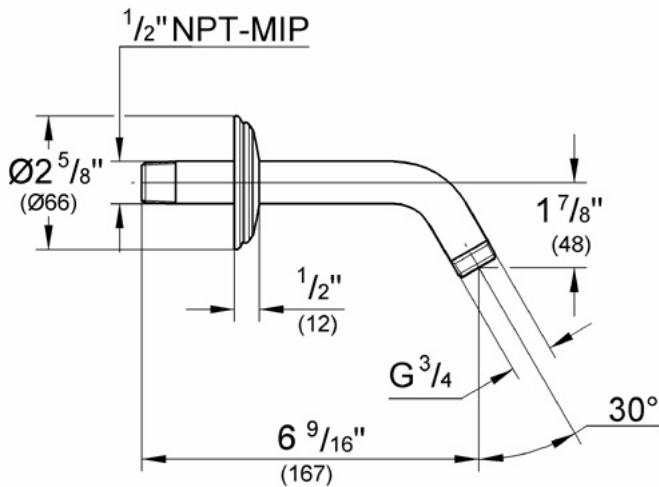
N/A

Code Compliance

* ASME/ANSI A112.18.M

Finish Options

- 27 012 OOO Chrome
- 27 012 ROO Infinity Polished Brass
- 27 012 AVO Infinity Satin Nickel
- 27 012 RRO Velour Chrome
- 27 012 BEO Sterling Infinity Finish
- 27 012 ENO Infinity Brushed Nickel
- 27 012 ZBO Oil Rubbed Bronze



27 130 Shower Head



Description

6 1/4" face
4 spray patterns
1/2" NPT Female Threads
GROHE DreamSpray® Technology
SpeedClean® Anti-Lime System

Flow Rate

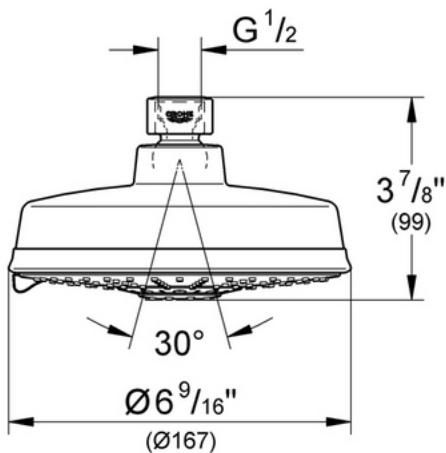
N/A

Code Compliance

ASME/ANSI A112.18.1M

Finish Options

27 130 OOO Starlight® Chrome
27 130 BEO Sterling Infinity Finish
27 130 ENO Infinity Brushed Nickel
27 130 ZBO Oil Rubbed Bronze



Geneva 13 610

Tub spout, diverter



Description

Cast brass body
Wall mount 3/4" inlet

Flow Rate

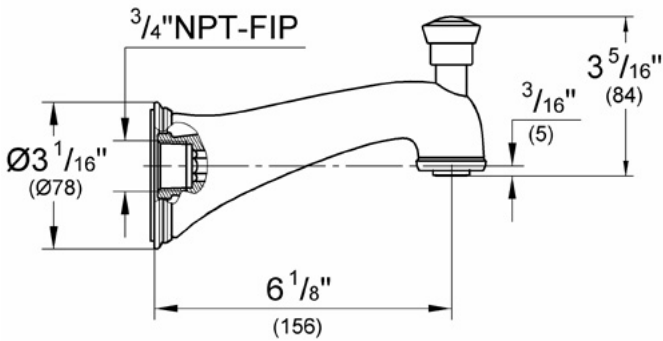
N/A

Code Compliance

* ASME/ANSI A112.18.M

Finish Options

- 13 610 OOO Chrome
- 13 610 ROO Infinity Polished Brass
- 13 610 AVO Infinity Satin Nickel
- 13 610 RRO Velour Chrome
- 13 610 BEO Sterling Infinity Finish
- 13 610 ENO Infinity Brushed Nickel
- 13 610 ZBO Oil Rubbed Bronze



19 722 Pressure Balance Valve trim with lever handle



Description

Lever handle

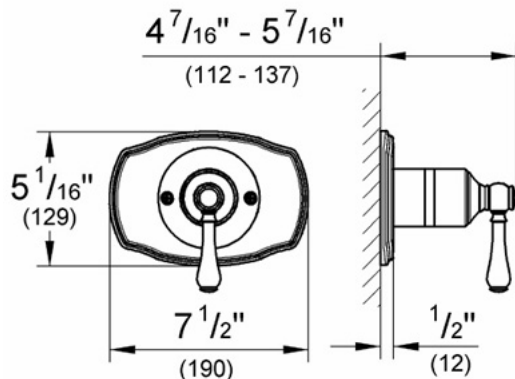
For use with Grohsafe® Pressure Balance Rough-In Valve 35 015 (sold separately)

Flow Rate

N/A

Code Compliance

ADA Compliant



Finish Options

- 19 722 OOO Starlight® Chrome
- 19 722 ROO Infinity Polished Brass
- 19 722 AVO Infinity Satin Nickel
- 19 722 RRO Velour Chrome
- 19 722 BEO Sterling Infinity Finish
- 19 722 BAO Chrome/Porcelain
- 19 722 MAO Polished Brass/Porcelain
- 19 722 HAO Satin Nickel/Porcelain
- 19 722 PAO Sterling/Porcelain
- 19 722 BPO Brushed Nickel/Porcelain
- 19 722 ENO Infinity Brushed Nickel
- 19 722 ZBO Oil Rubbed Bronze