

19 375 Pressure Balance Valve trim



Description

Metal lever handle
For use with Grohsafe® Pressure Balance Rough-In Valve
35 015 (sold separately)

Flow Rate

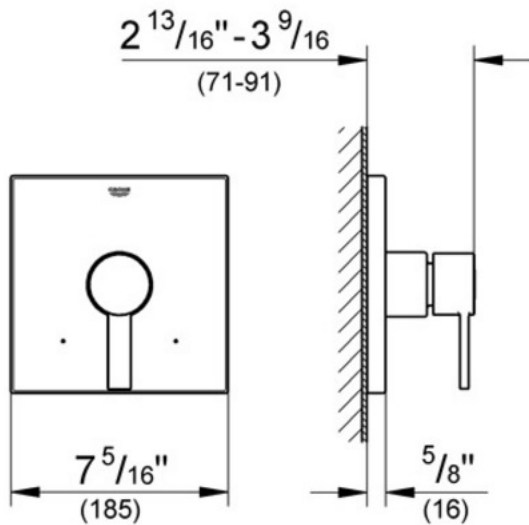
N/A

Code Compliance

ADA Compliant

Finish Options

19 375 000 Starlight® Chrome



Accessories 27 414

Tubular shower arm



Description

5 5/8" tubular shower arm
with flange
1/2" male threads

Flow Rate

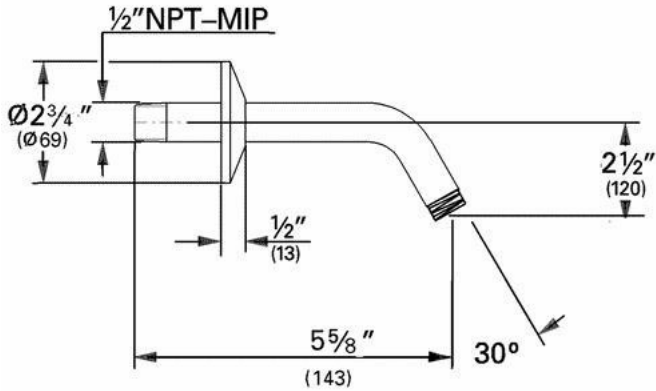
N/A

Code Compliance

* ASME/ANSI A112.18.M

Finish Options

27 414 000 Chrome



27 135 Shower Head



Description

6 1/4" face
4 spray patterns
1/2" NPT Female Threads
GROHE DreamSpray® Technology
SpeedClean® Anti-Lime System

Flow Rate

N/A

Code Compliance

ASME/ANSI A112.18.1M

Finish Options

27 135 OOO Starlight® Chrome
27 135 BEO Sterling Infinity Finish
27 135 ENO Infinity Brushed Nickel
27 135 ZBO Oil Rubbed Bronze

