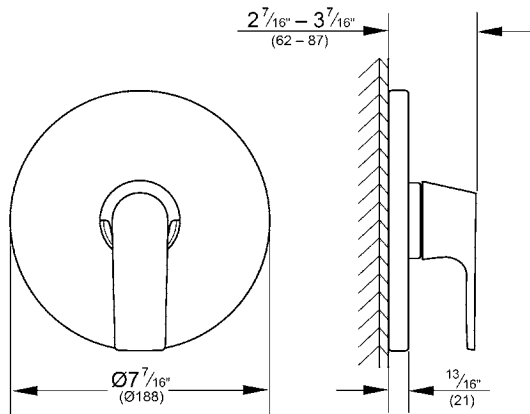


DEFINED  
Pressure Balance Valve Trim  
MODEL # 29298000

Pure Freude  
an Wasser



ADA

**Product Description:**  
**DEFINED**  
Pressure Balance Valve Trim

**Standard Specification:**

- GROHE StarLight chrome finish
- GROHE SilkMove
- Metal lever handle
- For use with Grohsafe rough-in valve (35 110 000)
- Includes cartridge
- Available at FERGUSON and Build.com

**Applicable Codes & Standards:**

- ASME A112.18.1/CSA B125.1
- ICC/ANSI A117.1

**Color:**

- 29298000 Starlight Chrome

GROHSAFE 3.0  
Shower Rough-In Valve  
MODEL # 35110000

*Pure Freude  
an Wasser*



**Product Description:**  
**GROHSAFE 3.0**  
**Shower Rough-In Valve**

**Standard Specification:**

- 1/2" Universal inlets
- 1/2" Universal outlets
- Handle limit stop
- Includes plug for 3-port installation
- Universal connection is 1/2" male threads by copper sweat
- Service stops
- Max flow rate (top port) 3.0 gpm at 45 psi (11 l/min), (bottom port) 5.2 gpm at 45 psi (19 l/min)
- Cartridge ships with the trim

**Color:**

- ☐ 35110000 Starlight Chrome

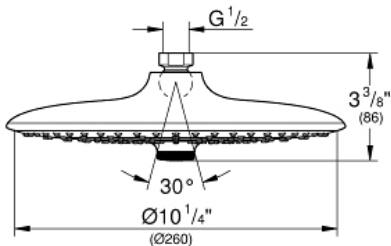
# EUPHORIA 260 Shower Head 3 Sprays

MODEL # 26456000

Pure Freude an Wasser

**GROHE**

GROHE America, Inc | 200 North Gary Avenue, Suite G, Roselle, IL 60172  
Phone: +1 (800) 444-7643 | Fax: +1 (800) 225-2778 | us-customerservice@grohe.com



## Product Description: Shower Head 3 Sprays

### Standard Specification:

- Rain, SmartRain, Jet
- 10" Diameter
- Rotating ball joint  $\pm 15^\circ$
- 1/2" Connection thread
- **GROHE EcoJoy** 1.8 gpm (6.6 l/min) flow limiter
- **GROHE DreamSpray** perfect spray pattern
- **GROHE StarLight** chrome finish
- **SpeedClean**<sup>®</sup> anti-lime system
- Inner WaterGuide for a longer life
- Suitable for instantaneous heater
- Min. recommended pressure: 15 psi

### Applicable Codes & Standards:

- Energy Policy Act of 1992
- ASME A112.18.1/CSA B125.1
- US Federal and State material regulations
- EPA WaterSense<sup>®</sup>
- CalGreen

### Color:

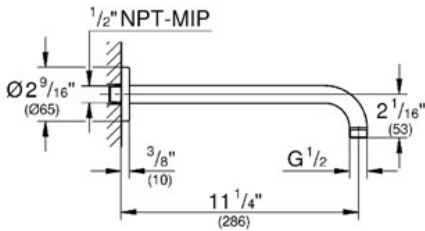
- 26456000 StarLight Chrome

RAINSHOWER®  
Shower Arm 11 1/4" NPT  
MODEL # 28577

Pure Freude an Wasser



GROHE America, Inc | 200 North Gary Avenue, Suite G, Roselle, IL 60172  
Phone: +1 (800) 444-7643 | Fax: +1 (800) 225-2778 | us-customerservice@grohe.com



**Product Description:**  
Shower Arm 11 1/4" NPT

**Standard Specification:**

- GROHE StarLight® finish
- Can be used with all Rainshower shower heads except Rainshower Jumbo
- 1/2" NPT Male Threads

**Applicable Codes & Standards:**

- ASME A112.18.1/CSA B125.1

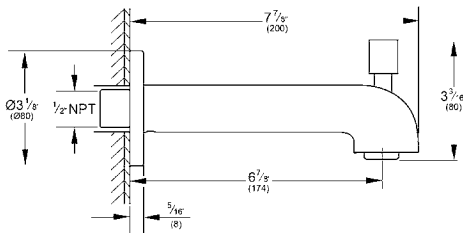
**Color:**

- 28577 000 chrome
- 28577 BE0 Sterling inf
- 28577 EN0 Brushed Nickel
- 28577 ZB0 Oil Rubbed Bronze

DEFINED  
Diverter Tub Spout  
MODEL # 26637000

Pure Freude  
an Wasser

GROHE



**Product Description:**  
DEFINED  
Diverter Tub Spout

**Standard Specification:**

- GROHE StarLight chrome finish
- 6 13/16" spout reach
- 1/2" NPT inlet
- Wall mount
- Available at FERGUSON and Build.com

**Applicable Codes & Standards:**

- ASME A112.18.1/CSA B125.1

**Color:**

- 26637000 Starlight Chrome