

GROHTHERM SMARTCONTROL
Single Function Thermostatic Trim
with Control Module

MODEL # 29136A00

Pure Freude
an Wasser

GROHE



C



Product Description:

GROHTHERM SMARTCONTROL

Single Function Thermostatic Trim with Control Module

Standard Specification:

- Required rough-in-set sold separately (GROHE Rapido SmartBox 35 601 000)
- Metal wall escutcheon with **GROHE QuickFix** (covered escutcheon and shaft sealing, covered fixing), 6° angle adjustable
- 3/8" (10 mm) thin profile escutcheon
- **GROHE StarLight** finish
- SmartControl push for ON-OFF, turn for volume adjustment from EcoJoy to Full Flow
- Includes various icons to customize push buttons
- **GROHE TurboStat** Compact cartridge with wax thermoelement
- **GROHE SafeStop** safety button at 100°F/38°C
- Built-in check valve with dirt strainer
- Maximum flow performance: 7.7gpm (29L/min) @ 43.5 psi (3 bar)
- Optional flow reducer for CALGreen compliance included

Applicable Codes & Standards:

- Energy Policy Act of 1992
- ASME A112.18.1/CSA B125.1
- CalGreen
- MASS

Color:

□ 29136A00

RAPIDO SMARTBOX Universal Rough-In Box

MODEL # 35601000

Pure Freude an Wasser

GROHE

GROHE America, Inc | 200 North Gary Avenue, Suite G, Roselle, IL 60172
Phone: +1 (800) 444-7643 | Fax: +1 (800) 225-2778 | us-customerservice@grohe.com



Product Description: Universal Rough-In Box

Standard Specification:

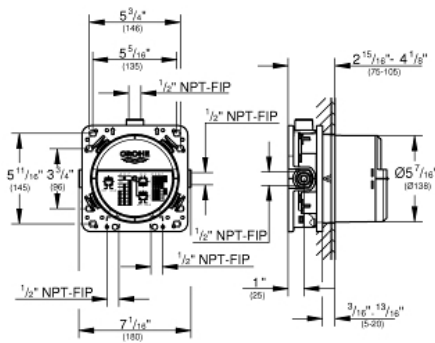
- 3 outlets 1/2" Female NPT
- 2 inlets 1/2" Female NPT
- Installation depth 3"-4" (75-105 mm)
- Pre-mounted flushing plug
- Stable built-in box and plaster guard
- Mounting options for solid walls and dry walls
- Trim not included

Applicable Codes & Standards:

- ASME A112.18.1/CSA B125.1

Color:

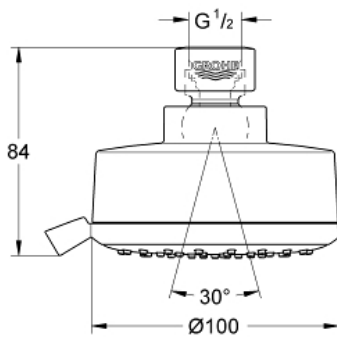
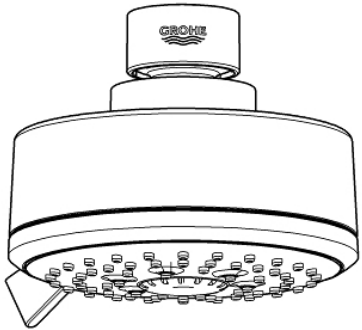
- 35601000 StarLight Chrome



NEW TEMPESTA
COSMOPOLITAN 100
Shower Head 4 Sprays
MODEL # 26043A01

Pure Freude
an Wasser

GROHE



Product Description:
NEW TEMPESTA COSMOPOLITAN 100
Shower Head 4 Sprays

Standard Specification:

- 4 Sprays: GROHE Rain O², Rain, Massage and Jet
- Rotating ball joint $\pm 15^\circ$
- 1/2" Connection thread
- GROHE EcoJoy 1.75 gpm (6.6 l/min) flow limiter
- GROHE DreamSpray perfect spray pattern
- GROHE StarLight finish
- SpeedClean anti-lime system
- Inner WaterGuide for a longer life
- Max Flow Rate: 1.75 gpm (6.6 L/min)
- Min. recommended pressure: 15 psi (1.0 bar)

Applicable Codes & Standards:

- Energy Policy Act of 1992
- ASME A112.18.1/CSA B125.1
- EPA WaterSense[®]
- CalGreen

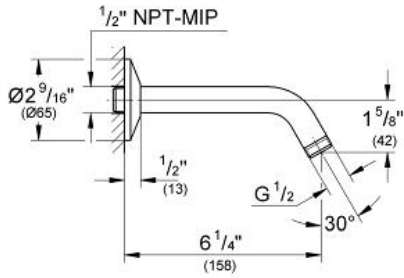
Color:

□ 26043A01

RELEXA
6 5/8" Tubular Shower Arm
MODEL # 27412BE0

Pure Freude
an Wasser

GROHE



Product Description:
RELEXA
6 5/8" Tubular Shower Arm

Standard Specification:

- GROHE StarLight chrome finish

Applicable Codes & Standards:

- Energy Policy Act of 1992
- ASME A112.18.1/CSA B125.1

Color:

- 27412BE0 Polished Nickel InfinityFinish