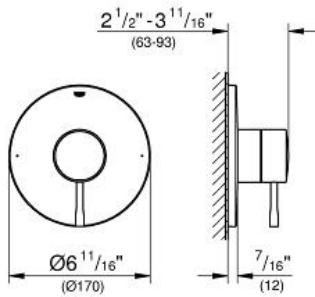


ESSENCE
Pressure Balance Valve Trim
MODEL # 19347A01

Pure Freude
an Wasser

GROHE



ADA

C

Product Description:
ESSENCE
Pressure Balance Valve Trim

Standard Specification:

- Final installation set for:
- Requires GrohFlex Universal Rough-In Box (35 026 000)
- **GROHE StarLight** finish

Applicable Codes & Standards:

- Energy Policy Act of 1992
- ASME A112.18.1/CSA B125.1
- ICC/ANSI A117.1
- MASS

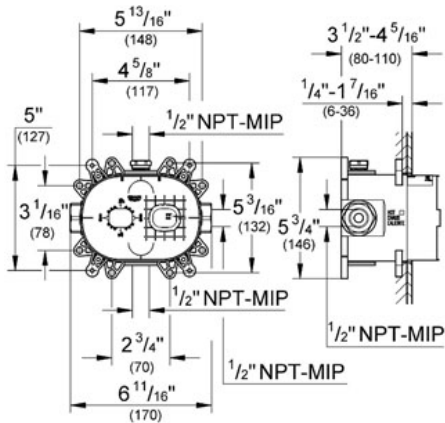
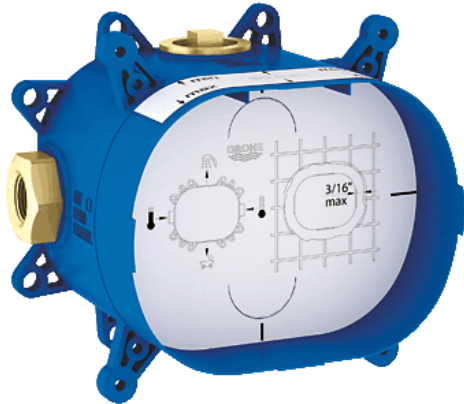
Color:
□ 19347A01

GROHFLEX™
 Universal Rough-In Box
 MODEL # 35026

Pure Freude an Wasser



GROHE America, Inc | 200 North Gary Avenue, Suite G, Roselle, IL 60172
 Phone: +1 (800) 444-7643 | Fax: +1 (800) 225-2778 | us-customerservice@grohe.com



Product Description:
 Universal Rough-In Box

Standard Specification:

- Inlets and outlets 1/2"
- Fixing points for front and back wall
- Leakproof housing
- Integrated service stops
- Flushing plug
- Removable protection cover with installation information
- For use with the GrohFlex Bathroom Solution Kits (sold separately):
 - Pressure Balance Valves and Thermostats
 - Single Function, Dual Function or Custom Shower

Applicable Codes & Standards:

- Energy Policy Act of 1992
- ASME A112.18.1/CSA B125.1

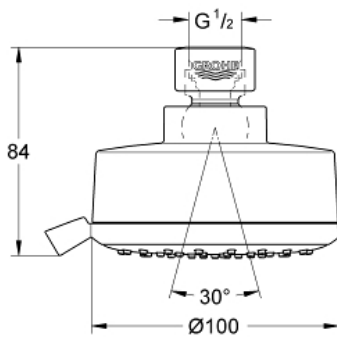
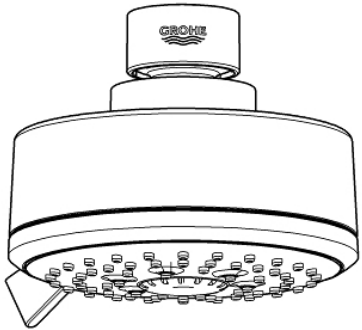
Color:

□ 35026 000

NEW TEMPESTA
COSMOPOLITAN 100
Shower Head 4 Sprays
MODEL # 26043A01

Pure Freude
an Wasser

GROHE



Product Description:
NEW TEMPESTA COSMOPOLITAN 100
Shower Head 4 Sprays

Standard Specification:

- 4 Sprays: GROHE Rain O², Rain, Massage and Jet
- Rotating ball joint $\pm 15^\circ$
- 1/2" Connection thread
- GROHE EcoJoy 1.75 gpm (6.6 l/min) flow limiter
- GROHE DreamSpray perfect spray pattern
- GROHE StarLight finish
- SpeedClean anti-lime system
- Inner WaterGuide for a longer life
- Max Flow Rate: 1.75 gpm (6.6 L/min)
- Min. recommended pressure: 15 psi (1.0 bar)

Applicable Codes & Standards:

- Energy Policy Act of 1992
- ASME A112.18.1/CSA B125.1
- EPA WaterSense[®]
- CalGreen

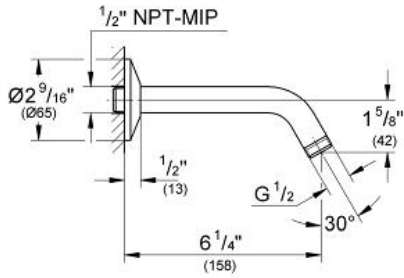
Color:

□ 26043A01

RELEXA
6 5/8" Tubular Shower Arm
MODEL # 27412BE0

Pure Freude
an Wasser

GROHE



Product Description:
RELEXA
6 5/8" Tubular Shower Arm

Standard Specification:

- GROHE StarLight chrome finish

Applicable Codes & Standards:

- Energy Policy Act of 1992
- ASME A112.18.1/CSA B125.1

Color:

- 27412BE0 Polished Nickel InfinityFinish