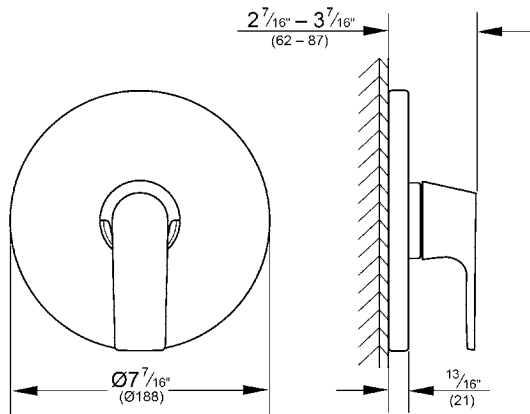


DEFINED
Pressure Balance Valve Trim
MODEL # 29298000

Pure Freude
an Wasser



ADA

Product Description:
DEFINED
Pressure Balance Valve Trim

Standard Specification:

- GROHE StarLight chrome finish
- GROHE SilkMove
- Metal lever handle
- For use with Grohsafe rough-in valve (35 110 000)
- Includes cartridge
- Available at FERGUSON and Build.com

Applicable Codes & Standards:

- ASME A112.18.1/CSA B125.1
- ICC/ANSI A117.1

Color:

- 29298000 Starlight Chrome

GROHSAFE 3.0
Shower Rough-In Valve
MODEL # 35110000

*Pure Freude
an Wasser*



Product Description:
GROHSAFE 3.0
Shower Rough-In Valve

Standard Specification:

- 1/2" Universal inlets
- 1/2" Universal outlets
- Handle limit stop
- Includes plug for 3-port installation
- Universal connection is 1/2" male threads by copper sweat
- Service stops
- Max flow rate (top port) 3.0 gpm at 45 psi (11 l/min), (bottom port) 5.2 gpm at 45 psi (19 l/min)
- Cartridge ships with the trim

Color:

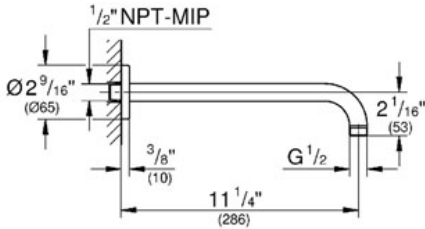
- 35110000 Starlight Chrome

RAINSHOWER®
Shower Arm 11 1/4" NPT
MODEL # 28577

Pure Freude an Wasser



GROHE America, Inc | 200 North Gary Avenue, Suite G, Roselle, IL 60172
Phone: +1 (800) 444-7643 | Fax: +1 (800) 225-2778 | us-customerservice@grohe.com



Product Description:
Shower Arm 11 1/4" NPT

Standard Specification:

- GROHE StarLight® finish
- Can be used with all Rainshower shower heads except Rainshower Jumbo
- 1/2" NPT Male Threads

Applicable Codes & Standards:

- ASME A112.18.1/CSA B125.1

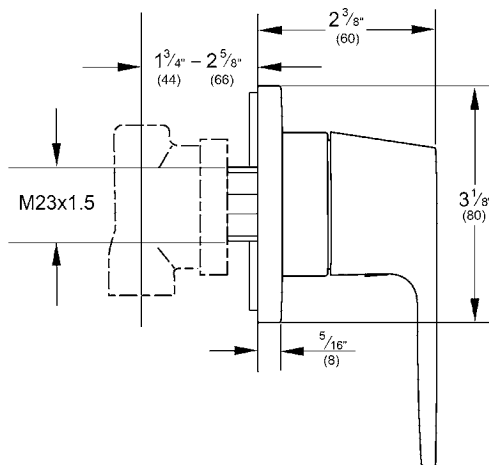
Color:

- 28577 000 chrome
- 28577 BE0 Sterling inf
- 28577 EN0 Brushed Nickel
- 28577 ZB0 Oil Rubbed Bronze

DEFINED
2-Way Diverter Trim
MODEL # 29299000

Pure Freude
an Wasser

GROHE



ADA

C

Product Description:
DEFINED
2-Way Diverter Trim

Standard Specification:

- GROHE StarLight chrome finish
- GROHE SilkMove
- Metal lever handle
- For use with 2-way diverter rough-in valves (29 900) or (29 901)
- Available at FERGUSON and Build.com

Applicable Codes & Standards:

- ASME A112.18.1/CSA B125.1
- ICC/ANSI A117.1

Color:

- 29299000 Starlight Chrome

2-Way Diverter Rough-In Valve (Shared Functions)

MODEL # 29901000

Pure Freude an Wasser



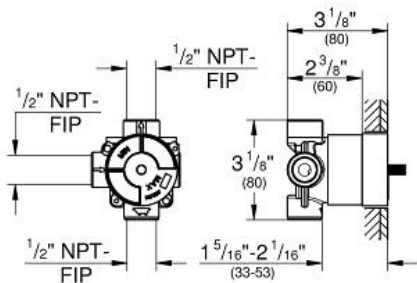
GROHE America, Inc | 200 North Gary Avenue, Suite G, Roselle, IL 60172
Phone: +1 (800) 444-7643 | Fax: +1 (800) 225-2778 | us-customerservice@grohe.com



Product Description:
2-Way Diverter Rough-In Valve (Shared Functions)

Standard Specification:
ADA compliant: requires less than 5 lbs/22.2 N force to operate handle
1 inlet/2 outlets
2 discrete functions/1 shared function
plasterguard included 1/2" NPT
shared functions

Color:
□ 29901000 000 chrome



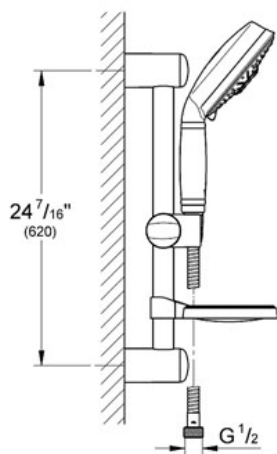
RAINSHOWER® RUSTIC 130 Shower Set

MODEL # 27140

Pure Freude an Wasser



GROHE America, Inc | 200 North Gary Avenue, Suite G, Roselle, IL 60172
Phone: +1 (800) 444-7643 | Fax: +1 (800) 225-2778 | us-customerservice@grohe.com



Product Description: Shower Set

Standard Specification:

- GROHE StarLight® finish
- SpeedClean anti-lime system
- 24" shower bar (28 666)
- Rustic hand shower 5 1/8" (27 129)
- 69" shower hose (28 025)
- Soap dish
- Twistfree to prevent hose from twisting
- Max Flow Rate 2.5 gpm at 80 psi (9.5 L/min)

Applicable Codes & Standards:

- Energy Policy Act of 1992
- ASME A112.18.1/CSA B125.1

Color:

- 27140 000 chrome
- 27140 BE0 Sterling inf
- 27140 EN0 Brushed Nickel
- 27140 ZB0 Oil Rubbed Bronze

MOVARIO

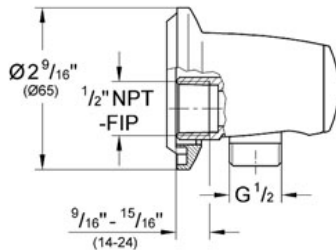
Shower outlet elbow, 1/2"

MODEL # 28459

Pure Freude an Wasser



GROHE America, Inc | 200 North Gary Avenue, Suite G, Roselle, IL 60172
 Phone: +1 (800) 444-7643 | Fax: +1 (800) 225-2778 | us-customerservice@grohe.com



Product Description:
 Shower outlet elbow, 1/2"

Standard Specification:

- GROHE StarLight® finish
- 1/2" NPT Female Threads

Applicable Codes & Standards:

- Energy Policy Act of 1992
- ASME A112.18.1/CSA B125.1

Color:

- 28459 000 chrome
- 28459 BE0 Sterling inf
- 28459 EN0 Brushed Nickel
- 28459 ZB0 Oil Rubbed Bronze
- 28459 R00 Polished Brass inf

