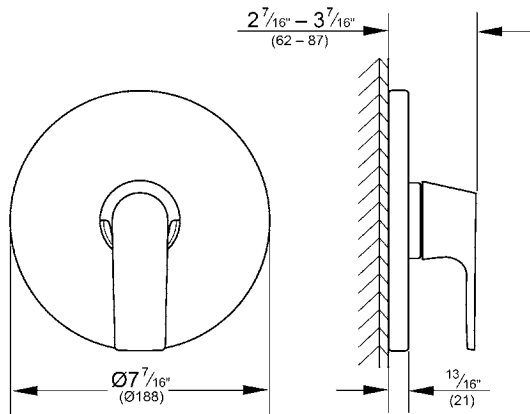


DEFINED
Pressure Balance Valve Trim
MODEL # 29298000

Pure Freude
an Wasser



ADA

Product Description:
DEFINED
Pressure Balance Valve Trim

Standard Specification:

- GROHE StarLight chrome finish
- GROHE SilkMove
- Metal lever handle
- For use with Grohsafe rough-in valve (35 110 000)
- Includes cartridge
- Available at FERGUSON and Build.com

Applicable Codes & Standards:

- ASME A112.18.1/CSA B125.1
- ICC/ANSI A117.1

Color:

- 29298000 Starlight Chrome

GROHSAFE 3.0
Shower Rough-In Valve
MODEL # 35110000

*Pure Freude
an Wasser*



Product Description:
GROHSAFE 3.0
Shower Rough-In Valve

Standard Specification:

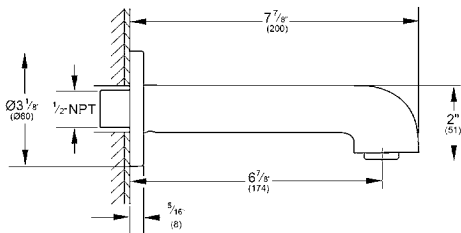
- 1/2" Universal inlets
- 1/2" Universal outlets
- Handle limit stop
- Includes plug for 3-port installation
- Universal connection is 1/2" male threads by copper sweat
- Service stops
- Max flow rate (top port) 3.0 gpm at 45 psi (11 l/min), (bottom port) 5.2 gpm at 45 psi (19 l/min)
- Cartridge ships with the trim

Color:

- 35110000 Starlight Chrome

DEFINED
Tub Spout
MODEL # 13402000

Pure Freude
an Wasser



Product Description:
DEFINED
Tub Spout

Standard Specification:

- GROHE StarLight chrome finish
- 6 13/16" spout reach
- 1/2" NPT inlet
- Wall mount
- Available at FERGUSON and Build.com

Applicable Codes & Standards:

- ASME A112.18.1/CSA B125.1

Color:

- 13402000 Starlight Chrome