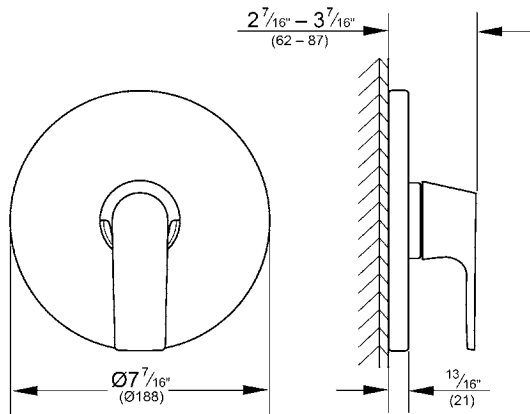


DEFINED
Pressure Balance Valve Trim
MODEL # 29298000

Pure Freude
an Wasser



ADA

Product Description:
DEFINED
Pressure Balance Valve Trim

Standard Specification:

- GROHE StarLight chrome finish
- GROHE SilkMove
- Metal lever handle
- For use with Grohsafe rough-in valve (35 110 000)
- Includes cartridge
- Available at FERGUSON and Build.com

Applicable Codes & Standards:

- ASME A112.18.1/CSA B125.1
- ICC/ANSI A117.1

Color:

- 29298000 Starlight Chrome

GROHSAFE 3.0
Shower Rough-In Valve
MODEL # 35110000

*Pure Freude
an Wasser*



Product Description:
GROHSAFE 3.0
Shower Rough-In Valve

Standard Specification:

- 1/2" Universal inlets
- 1/2" Universal outlets
- Handle limit stop
- Includes plug for 3-port installation
- Universal connection is 1/2" male threads by copper sweat
- Service stops
- Max flow rate (top port) 3.0 gpm at 45 psi (11 l/min), (bottom port) 5.2 gpm at 45 psi (19 l/min)
- Cartridge ships with the trim

Color:

- 35110000 Starlight Chrome

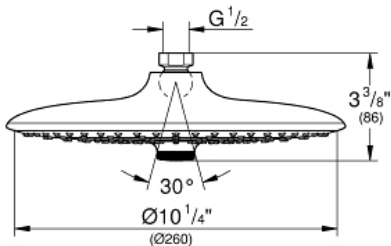
EUPHORIA 260 Shower Head 3 Sprays

MODEL # 26456000

Pure Freude an Wasser

GROHE

GROHE America, Inc | 200 North Gary Avenue, Suite G, Roselle, IL 60172
Phone: +1 (800) 444-7643 | Fax: +1 (800) 225-2778 | us-customerservice@grohe.com



Product Description: Shower Head 3 Sprays

Standard Specification:

- Rain, SmartRain, Jet
- 10" Diameter
- Rotating ball joint $\pm 15^\circ$
- 1/2" Connection thread
- **GROHE EcoJoy** 1.8 gpm (6.6 l/min) flow limiter
- **GROHE DreamSpray** perfect spray pattern
- **GROHE StarLight** chrome finish
- **SpeedClean**[®] anti-lime system
- Inner WaterGuide for a longer life
- Suitable for instantaneous heater
- Min. recommended pressure: 15 psi

Applicable Codes & Standards:

- Energy Policy Act of 1992
- ASME A112.18.1/CSA B125.1
- US Federal and State material regulations
- EPA WaterSense[®]
- CalGreen

Color:

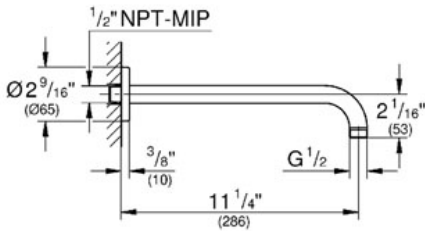
- 26456000 StarLight Chrome

RAINSHOWER®
Shower Arm 11 1/4" NPT
MODEL # 28577

Pure Freude an Wasser



GROHE America, Inc | 200 North Gary Avenue, Suite G, Roselle, IL 60172
Phone: +1 (800) 444-7643 | Fax: +1 (800) 225-2778 | us-customerservice@grohe.com



Product Description:
Shower Arm 11 1/4" NPT

- Standard Specification:**
- GROHE StarLight® finish
 - Can be used with all Rainshower shower heads except Rainshower Jumbo
 - 1/2" NPT Male Threads

- Applicable Codes & Standards:**
- ASME A112.18.1/CSA B125.1

- Color:**
- 28577 000 chrome
 - 28577 BE0 Sterling inf
 - 28577 EN0 Brushed Nickel
 - 28577 ZB0 Oil Rubbed Bronze