

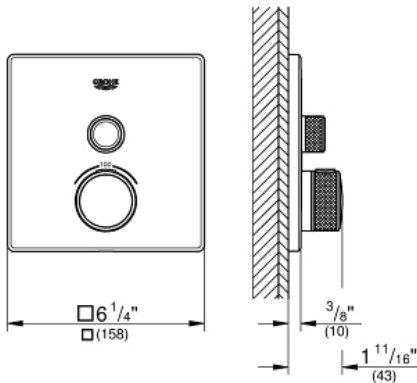
GROHTHERM SMARTCONTROL Single Function Thermostatic Trim with Control Module

MODEL # 29140000

Pure Freude an Wasser

GROHE

GROHE America, Inc | 200 North Gary Avenue, Suite G, Roselle, IL 60172
Phone: +1 (800) 444-7643 | Fax: +1 (800) 225-2778 | us-customerservice@grohe.com



Product Description:

Single Function Thermostatic Trim with Control Module

Standard Specification:

- Final installation set for:
- Required rough-in-set sold separately (GROHE Rapido SmartBox 35 601 000)
- Metal wall escutcheon with **GROHE QuickFix** (covered escutcheon and shaft sealing, covered fixing), 6° angle adjustable
- 3/8" (10mm) thin profile escutcheon
- **GROHE StarLight** chrome finish
- SmartControl push for ON-OFF, turn for volume adjustment from EcoJoy to Full Flow
- Includes various icons to customize push buttons
- **GROHE TurboStat** Compact cartridge with wax thermoelement
- **GROHE SafeStop** safety button at 100°F/38°C
- Built-in check valve with dirt strainer
- Maximum flow performance: 7.7gpm (29L/min) @ 43.5 psi (3 bar)
- Optional flow reducer for CALGreen compliance included

Applicable Codes & Standards:

- ASME A112.18.1/CSA B125.1
- CalGreen

Color:

- 29140000 StarLight Chrome

RAPIDO SMARTBOX Universal Rough-In Box

MODEL # 35601000

Pure Freude an Wasser



GROHE America, Inc | 200 North Gary Avenue, Suite G, Roselle, IL 60172
Phone: +1 (800) 444-7643 | Fax: +1 (800) 225-2778 | us-customerservice@grohe.com



Product Description: Universal Rough-In Box

Standard Specification:

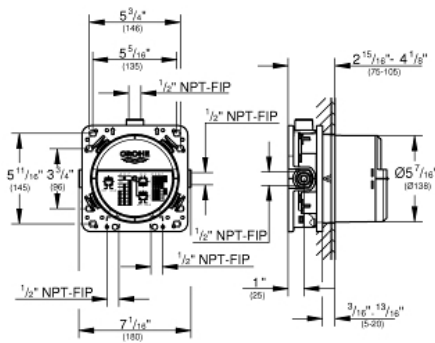
- 3 outlets 1/2" Female NPT
- 2 inlets 1/2" Female NPT
- Installation depth 3"-4" (75-105 mm)
- Pre-mounted flushing plug
- Stable built-in box and plaster guard
- Mounting options for solid walls and dry walls
- Trim not included

Applicable Codes & Standards:

- ASME A112.18.1/CSA B125.1

Color:

- 35601000 StarLight Chrome



RAINSHOWER® ALLURE 230

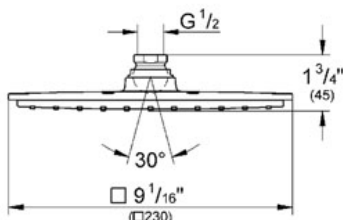
Head shower 1 spray

MODEL # 27480

Pure Freude an Wasser



GROHE America, Inc | 200 North Gary Avenue, Suite G, Roselle, IL 60172
 Phone: +1 (800) 444-7643 | Fax: +1 (800) 225-2778 | us-customerservice@grohe.com



Product Description:

Head shower 1 spray

Standard Specification:

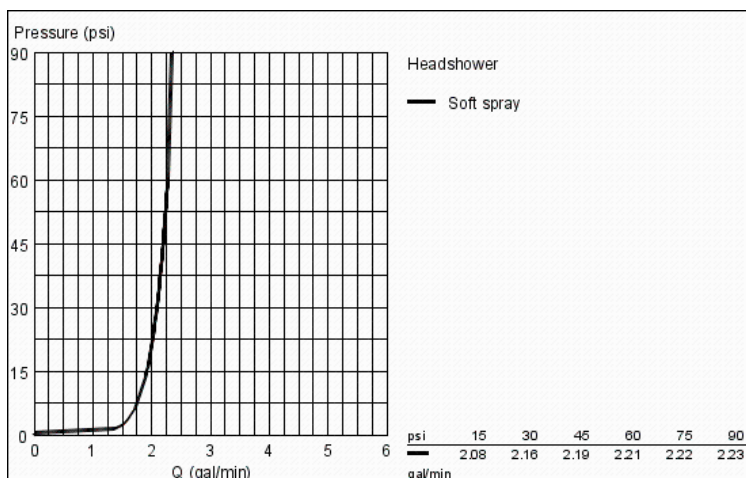
- GROHE StarLight® finish
- GROHE DreamSpray® perfect spray pattern
- GROHE EcoJoy® technology for less water and perfect flow
- SpeedClean anti-lime system
- Suitable for instantaneous heater
- Metal
- Rain spray
- Ball joint with turning angle $\pm 15^\circ$
- 1/2" Connection thread
- Max Flow Rate 2.5 gpm at 80 psi (9.5 L/min)

Applicable Codes & Standards:

- Energy Policy Act of 1992
- ASME A112.18.1/CSA B125.1

Color:

- 27480 000 chrome



RAINSHOWER®
12" Shower Arm with Square
Flange

MODEL # 27489

GROHE America, Inc | 200 North Gary Avenue, Suite G, Roselle, IL 60172
Phone: +1 (800) 444-7643 | Fax: +1 (800) 225-2778 | us-customerservice@grohe.com

Pure Freude an Wasser



Product Description:
12" Shower Arm with Square Flange

Standard Specification:

- GROHE StarLight® finish
- 1/2" NPT Male Threads
- With square escutcheon
- Can be used with all Rainshower shower heads except Rainshower Jumbo

Applicable Codes & Standards:

- ASME A112.18.1/CSA B125.1

Color:

- 27489 000 chrome

