

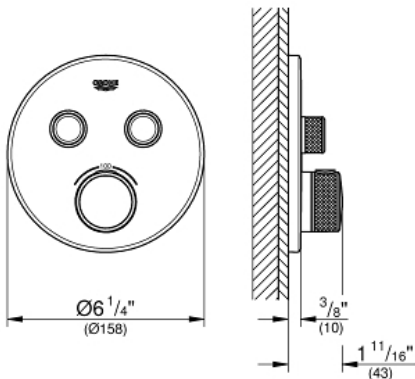
# GROHTHERM SMARTCONTROL Dual Function Thermostatic Trim with Control Module

MODEL # 29137000

*Pure Freude an Wasser*

**GROHE**

GROHE America, Inc | 200 North Gary Avenue, Suite G, Roselle, IL 60172  
Phone: +1 (800) 444-7643 | Fax: +1 (800) 225-2778 | us-customerservice@grohe.com



## Product Description:

### Dual Function Thermostatic Trim with Control Module

#### Standard Specification:

- Final installation set for:
- Required rough-in-set sold separately (GROHE Rapido SmartBox 35 601 000)
- Metal wall escutcheon with **GROHE QuickFix** (covered escutcheon and shaft sealing, covered fixing), 6° angle adjustable
- 3/8" (10mm) thin profile escutcheon
- **GROHE StarLight** chrome finish
- SmartControl push for ON-OFF, turn for volume adjustment from EcoJoy to Full Flow
- Includes various icons to customize push buttons
- **GROHE TurboStat** Compact cartridge with wax thermoelement
- **GROHE SafeStop** safety button at 100°F/38°C
- Built-in check valve with dirt strainer
- Multiple outlets can be run simultaneously
- Maximum flow performance combined: 7.7gpm (29L/min) @ 43.5 psi (3 bar)
- Optional flow reducer for CALGreen compliance included

#### Applicable Codes & Standards:

- ASME A112.18.1/CSA B125.1
- CalGreen

#### Color:

- 29137000 StarLight Chrome

# RAPIDO SMARTBOX Universal Rough-In Box

MODEL # 35601000

*Pure Freude an Wasser*

**GROHE**

GROHE America, Inc | 200 North Gary Avenue, Suite G, Roselle, IL 60172  
Phone: +1 (800) 444-7643 | Fax: +1 (800) 225-2778 | us-customerservice@grohe.com



## Product Description: Universal Rough-In Box

### Standard Specification:

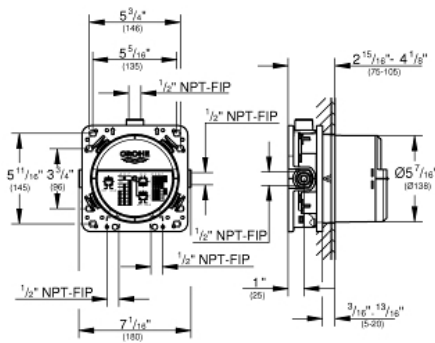
- 3 outlets 1/2" Female NPT
- 2 inlets 1/2" Female NPT
- Installation depth 3"-4" (75-105 mm)
- Pre-mounted flushing plug
- Stable built-in box and plaster guard
- Mounting options for solid walls and dry walls
- Trim not included

### Applicable Codes & Standards:

- ASME A112.18.1/CSA B125.1

### Color:

- 35601000 StarLight Chrome

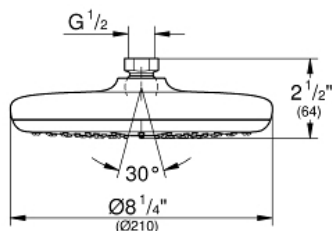


TEMPESTA 210  
Shower Head 1 Spray  
MODEL # 26409000

Pure Freude an Wasser

GROHE

GROHE America, Inc | 200 North Gary Avenue, Suite G, Roselle, IL 60172  
Phone: +1 (800) 444-7643 | Fax: +1 (800) 225-2778 | us-customerservice@grohe.com



**Product Description:**  
Shower Head 1 Spray

**Standard Specification:**

- Rain spray pattern (1 spray-rain)
- Diameter 8 1/4"
- Rotating ball joint  $\pm 15^\circ$
- 1/2" Connection thread
- **GROHE EcoJoy** 1.8 gpm (6.6 l/min) flow limiter
- **GROHE DreamSpray** perfect spray pattern
- **GROHE StarLight** chrome finish
- **SpeedClean**<sup>®</sup> anti-lime system
- Inner WaterGuide for a longer life
- Suitable for instantaneous heater
- Min. recommended pressure: 15 psi

**Applicable Codes & Standards:**

- Energy Policy Act of 1992
- ASME A112.18.1/CSA B125.1
- US Federal and State material regulations
- EPA WaterSense<sup>®</sup>
- CalGreen

**Color:**

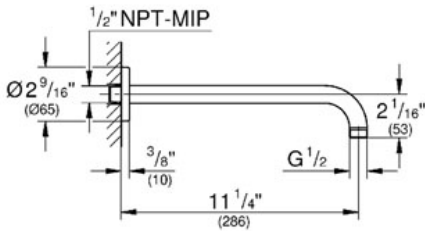
- 26409000 StarLight Chrome

RAINSHOWER®  
Shower Arm 11 1/4" NPT  
MODEL # 28577

Pure Freude an Wasser



GROHE America, Inc | 200 North Gary Avenue, Suite G, Roselle, IL 60172  
Phone: +1 (800) 444-7643 | Fax: +1 (800) 225-2778 | us-customerservice@grohe.com



**Product Description:**  
Shower Arm 11 1/4" NPT

**Standard Specification:**

- GROHE StarLight® finish
- Can be used with all Rainshower shower heads except Rainshower Jumbo
- 1/2" NPT Male Threads

**Applicable Codes & Standards:**

- ASME A112.18.1/CSA B125.1

**Color:**

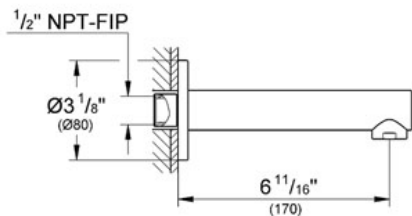
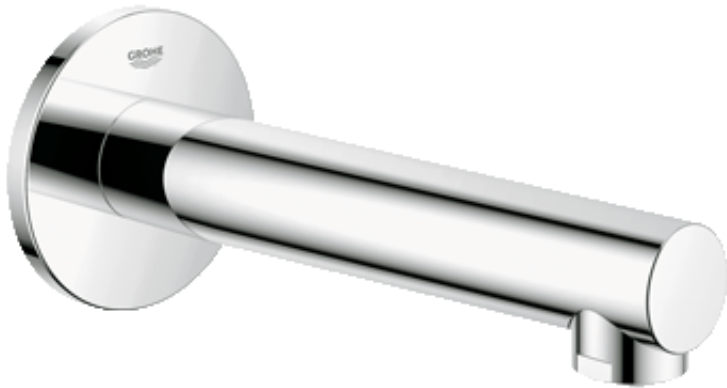
- 28577 000 chrome
- 28577 BE0 Sterling inf
- 28577 EN0 Brushed Nickel
- 28577 ZB0 Oil Rubbed Bronze

CONCETTO  
Tub Spout  
MODEL # 13274

Pure Freude an Wasser



GROHE America, Inc | 200 North Gary Avenue, Suite G, Roselle, IL 60172  
Phone: +1 (800) 444-7643 | Fax: +1 (800) 225-2778 | us-customerservice@grohe.com



**ADA**

**Product Description:**  
Tub Spout

**Standard Specification:**

- GROHE StarLight® finish
- Wall mount
- Flow control
- 1/2" NPT Male Threads
- Projection 6 11/16"

**Applicable Codes & Standards:**

- Energy Policy Act of 1992
- ASME A112.18.1/CSA B125.1
- ICC/ANSI A117.1

**Color:**

- 13274 001 chrome
- 13274 EN1 Brushed Nickel inf