

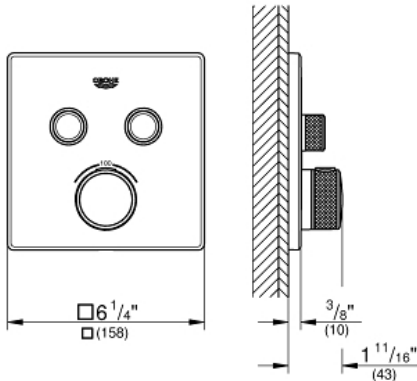
# GROHTHERM SMARTCONTROL Dual Function Thermostatic Trim with Control Module

MODEL # 29141000

*Pure Freude an Wasser*

**GROHE**

GROHE America, Inc | 200 North Gary Avenue, Suite G, Roselle, IL 60172  
Phone: +1 (800) 444-7643 | Fax: +1 (800) 225-2778 | us-customerservice@grohe.com



## Product Description:

### Dual Function Thermostatic Trim with Control Module

#### Standard Specification:

- Final installation set for:
- Required rough-in-set sold separately (GROHE Rapido SmartBox 35 601 000)
- Metal wall escutcheon with **GROHE QuickFix** (covered escutcheon and shaft sealing, covered fixing), 6° angle adjustable
- 3/8" (10mm) thin profile escutcheon
- **GROHE StarLight** chrome finish
- SmartControl push for ON-OFF, turn for volume adjustment from EcoJoy to Full Flow
- Includes various icons to customize push buttons
- **GROHE TurboStat** Compact cartridge with wax thermoelement
- **GROHE SafeStop** safety button at 100°F/38°C
- Built-in check valve with dirt strainer
- Multiple outlets can be run simultaneously
- Maximum flow performance combined: 7.7gpm (29L/min) @ 43.5 psi (3 bar)
- Optional flow reducer for CALGreen compliance included

#### Applicable Codes & Standards:

- ASME A112.18.1/CSA B125.1
- CalGreen

#### Color:

- 29141000 StarLight Chrome

# RAPIDO SMARTBOX Universal Rough-In Box

MODEL # 35601000

*Pure Freude an Wasser*

**GROHE**

GROHE America, Inc | 200 North Gary Avenue, Suite G, Roselle, IL 60172  
Phone: +1 (800) 444-7643 | Fax: +1 (800) 225-2778 | us-customerservice@grohe.com



## Product Description: Universal Rough-In Box

### Standard Specification:

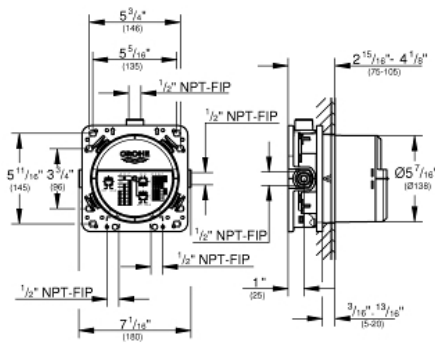
- 3 outlets 1/2" Female NPT
- 2 inlets 1/2" Female NPT
- Installation depth 3"-4" (75-105 mm)
- Pre-mounted flushing plug
- Stable built-in box and plaster guard
- Mounting options for solid walls and dry walls
- Trim not included

### Applicable Codes & Standards:

- ASME A112.18.1/CSA B125.1

### Color:

- 35601000 StarLight Chrome



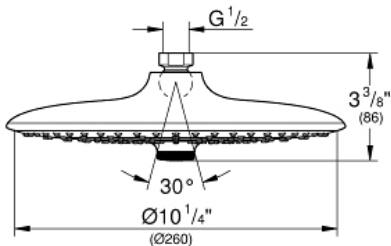
# EUPHORIA 260 Shower Head 3 Sprays

MODEL # 26457000

*Pure Freude an Wasser*

**GROHE**

GROHE America, Inc | 200 North Gary Avenue, Suite G, Roselle, IL 60172  
Phone: +1 (800) 444-7643 | Fax: +1 (800) 225-2778 | us-customerservice@grohe.com



## Product Description: Shower Head 3 Sprays

### Standard Specification:

- Rain, SmartRain, Jet
- 10" Diameter
- Rotating ball joint  $\pm 15^\circ$
- 1/2" Connection thread
- 2.5 gpm (9.5 l/min) flow limiter
- **GROHE DreamSpray** perfect spray pattern
- **GROHE StarLight** chrome finish
- **SpeedClean**<sup>®</sup> anti-lime system
- Inner WaterGuide for a longer life
- Suitable for instantaneous heater
- Min. recommended pressure: 15 psi

### Applicable Codes & Standards:

- Energy Policy Act of 1992
- ASME A112.18.1/CSA B125.1
- US Federal and State material regulations

### Color:

- 26457000 StarLight Chrome

RAINSHOWER®  
12" Shower Arm with Square  
Flange

MODEL # 27489

GROHE America, Inc | 200 North Gary Avenue, Suite G, Roselle, IL 60172  
Phone: +1 (800) 444-7643 | Fax: +1 (800) 225-2778 | us-customerservice@grohe.com

*Pure Freude an Wasser*



**Product Description:**  
12" Shower Arm with Square Flange

**Standard Specification:**

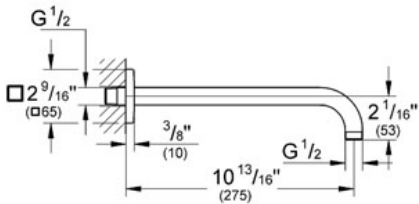
- GROHE StarLight® finish
- 1/2" NPT Male Threads
- With square escutcheon
- Can be used with all Rainshower shower heads except Rainshower Jumbo

**Applicable Codes & Standards:**

- ASME A112.18.1/CSA B125.1

**Color:**

- 27489 000 chrome



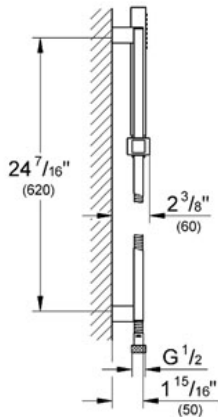
# EUPHORIA CUBE+ STICK Shower Set

MODEL # 27891

*Pure Freude an Wasser*

**GROHE**

GROHE America, Inc | 200 North Gary Avenue, Suite G, Roselle, IL 60172  
Phone: +1 (800) 444-7643 | Fax: +1 (800) 225-2778 | us-customerservice@grohe.com



## Product Description: Shower Set

### Standard Specification:

- GROHE StarLight® finish
- GROHE DreamSpray® perfect spray pattern
- GROHE CoolTouch®
- GROHE EcoJoy® technology for less water and perfect flow
- SpeedClean anti-lime system
- Inner WaterGuide for a longer life
- Suitable for instantaneous heater

### Consisting of:

- Hand shower, metal (27 888 000)
- 24" Shower rail (27 892 000)
- 69" metal shower hose (28 025 000)
- Twistfree to prevent hose from twisting
- Max Flow Rate 2.5 gpm at 80 psi (9.5 L/min)

### Applicable Codes & Standards:

- Energy Policy Act of 1992
- ASME A112.18.1/CSA B125.1

### Color:

- 27891 000 chrome

# ALLURE BRILLIANT Shower outlet elbow

MODEL # 27708

*Pure Freude an Wasser*



GROHE America, Inc | 200 North Gary Avenue, Suite G, Roselle, IL 60172  
Phone: +1 (800) 444-7643 | Fax: +1 (800) 225-2778 | us-customerservice@grohe.com



**Product Description:**  
Shower outlet elbow

**Standard Specification:**

- GROHE StarLight® finish
- 1/2" NPT Male Threads
- Protected against backflow

**Applicable Codes & Standards:**

- Energy Policy Act of 1992
- ASME A112.18.1/CSA B125.1

**Color:**

- 27708 000 chrome

