

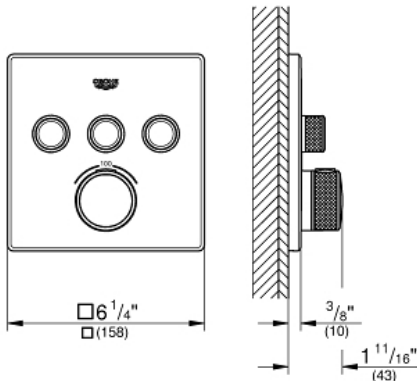
GROHTHERM SMARTCONTROL Triple Function Thermostatic Trim with Control Module

MODEL # 29142000

Pure Freude an Wasser



GROHE America, Inc | 200 North Gary Avenue, Suite G, Roselle, IL 60172
Phone: +1 (800) 444-7643 | Fax: +1 (800) 225-2778 | us-customerservice@grohe.com



Product Description:

Triple Function Thermostatic Trim with Control Module

Standard Specification:

- Final installation set for:
- Required rough-in-set sold separately (GROHE Rapido SmartBox 35 601 000)
- Metal wall escutcheon with **GROHE QuickFix** (covered escutcheon and shaft sealing, covered fixing), 6° angle adjustable
- 3/8" (10mm) thin profile escutcheon
- **GROHE StarLight** chrome finish
- SmartControl push for ON-OFF, turn for volume adjustment from EcoJoy to Full Flow
- Includes various icons to customize push buttons
- **GROHE TurboStat** Compact cartridge with wax thermoelement
- **GROHE SafeStop** safety button at 100°F/38°C
- Built-in check valve with dirt strainer
- Multiple outlets can be run simultaneously
- Maximum flow performance combined: 9.5gpm (36L/min) @ 43.5 psi (3 bar)
- Optional flow reducer for CALGreen compliance included

Applicable Codes & Standards:

- ASME A112.18.1/CSA B125.1
- CalGreen

Color:

- 29142000 StarLight Chrome

RAPIDO SMARTBOX Universal Rough-In Box

MODEL # 35601000

Pure Freude an Wasser

GROHE

GROHE America, Inc | 200 North Gary Avenue, Suite G, Roselle, IL 60172
Phone: +1 (800) 444-7643 | Fax: +1 (800) 225-2778 | us-customerservice@grohe.com



Product Description: Universal Rough-In Box

Standard Specification:

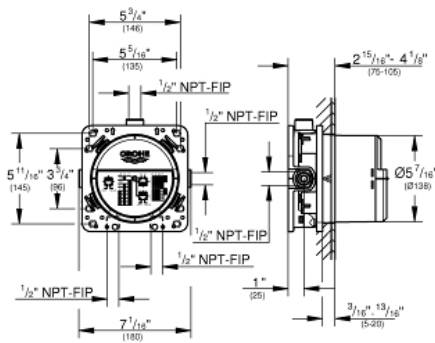
- 3 outlets 1/2" Female NPT
- 2 inlets 1/2" Female NPT
- Installation depth 3"-4" (75-105 mm)
- Pre-mounted flushing plug
- Stable built-in box and plaster guard
- Mounting options for solid walls and dry walls
- Trim not included

Applicable Codes & Standards:

- ASME A112.18.1/CSA B125.1

Color:

- 35601000 StarLight Chrome

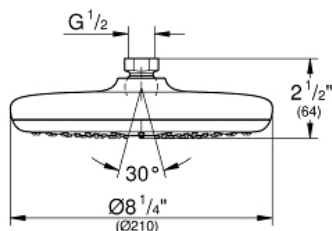


TEMPESTA 210
Shower Head 1 Spray
MODEL # 26409000

Pure Freude an Wasser

GROHE

GROHE America, Inc | 200 North Gary Avenue, Suite G, Roselle, IL 60172
Phone: +1 (800) 444-7643 | Fax: +1 (800) 225-2778 | us-customerservice@grohe.com



Product Description:
Shower Head 1 Spray

Standard Specification:

- Rain spray pattern (1 spray-rain)
- Diameter 8 1/4"
- Rotating ball joint $\pm 15^\circ$
- 1/2" Connection thread
- **GROHE EcoJoy** 1.8 gpm (6.6 l/min) flow limiter
- **GROHE DreamSpray** perfect spray pattern
- **GROHE StarLight** chrome finish
- **SpeedClean**[®] anti-lime system
- Inner WaterGuide for a longer life
- Suitable for instantaneous heater
- Min. recommended pressure: 15 psi

Applicable Codes & Standards:

- Energy Policy Act of 1992
- ASME A112.18.1/CSA B125.1
- US Federal and State material regulations
- EPA WaterSense[®]
- CalGreen

Color:

- 26409000 StarLight Chrome

RAINSHOWER®
12" Shower Arm with Square
Flange

MODEL # 27489

GROHE America, Inc | 200 North Gary Avenue, Suite G, Roselle, IL 60172
Phone: +1 (800) 444-7643 | Fax: +1 (800) 225-2778 | us-customerservice@grohe.com

Pure Freude an Wasser



Product Description:
12" Shower Arm with Square Flange

Standard Specification:

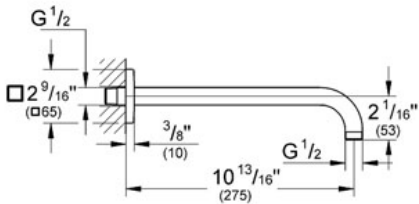
- GROHE StarLight® finish
- 1/2" NPT Male Threads
- With square escutcheon
- Can be used with all Rainshower shower heads except Rainshower Jumbo

Applicable Codes & Standards:

- ASME A112.18.1/CSA B125.1

Color:

- 27489 000 chrome



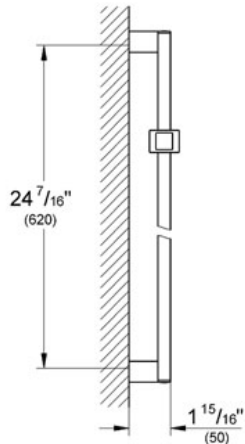
EUPHORIA CUBE 24" Shower Bar

MODEL # 27892

Pure Freude an Wasser



GROHE America, Inc | 200 North Gary Avenue, Suite G, Roselle, IL 60172
Phone: +1 (800) 444-7643 | Fax: +1 (800) 225-2778 | us-customerservice@grohe.com



Product Description:

24" Shower Bar

Standard Specification:

- GROHE StarLight® finish
- With wall holders, glide element and swivel holder

Applicable Codes & Standards:

- Energy Policy Act of 1992
- ASME A112.18.1/CSA B125.1

Color:

- 27892 000 chrome

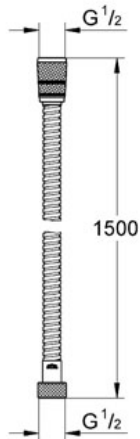
ROTAFLEX Shower Hose

MODEL # 28417

Pure Freude an Wasser



GROHE America, Inc | 200 North Gary Avenue, Suite G, Roselle, IL 60172
Phone: +1 (800) 444-7643 | Fax: +1 (800) 225-2778 | us-customerservice@grohe.com



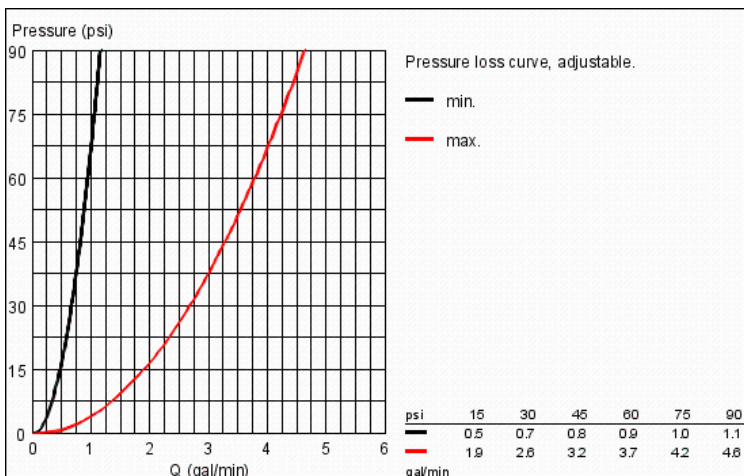
Product Description: Shower Hose

Standard Specification:

- GROHE StarLight® finish
- Rotation cone for Twistfree-function
- Silicone strip prevents hand shower from turning while in body pray position
- Metal
- 59"

Color:

- 28417 000 chrome
- 28417 ZB0 Oil Rubbed Bronze
- 28417 BE0 Sterling inf
- 28417 EN0 Brushed Nickel



ALLURE BRILLIANT Shower outlet elbow

MODEL # 27708

Pure Freude an Wasser



GROHE America, Inc | 200 North Gary Avenue, Suite G, Roselle, IL 60172
Phone: +1 (800) 444-7643 | Fax: +1 (800) 225-2778 | us-customerservice@grohe.com



Product Description:
Shower outlet elbow

Standard Specification:

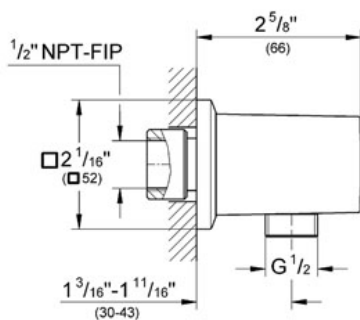
- GROHE StarLight® finish
- 1/2" NPT Male Threads
- Protected against backflow

Applicable Codes & Standards:

- Energy Policy Act of 1992
- ASME A112.18.1/CSA B125.1

Color:

- 27708 000 chrome



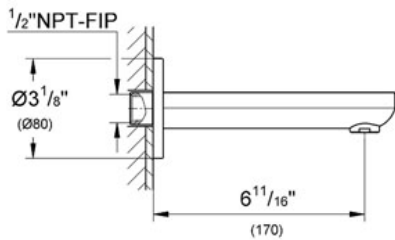
Tub Spout

MODEL # 13272

Pure Freude an Wasser



GROHE America, Inc | 200 North Gary Avenue, Suite G, Roselle, IL 60172
Phone: +1 (800) 444-7643 | Fax: +1 (800) 225-2778 | us-customerservice@grohe.com



Product Description:
Tub Spout

Standard Specification:

- GROHE StarLight® finish
- Wall mount
- Flow control
- 1/2" NPT Male Threads
- Projection 6 11/16"

Applicable Codes & Standards:

- Energy Policy Act of 1992
- ASME A112.18.1/CSA B125.1

Color:

- 13272 000 chrome