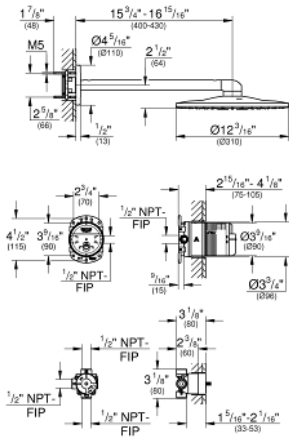


RAINSHOWER 310
SMARTACTIVE
Shower Head Set 2 Sprays
MODEL # 26502EN0

Pure Freude
an Wasser

GROHE



Product Description:
RAINSHOWER 310 SMARTACTIVE
Shower Head Set 2 Sprays

Standard Specification:

- Consisting of:
- Rainshower 310 SmartActive shower head Brushed Nickel
- 2 Spray patterns:
- GROHE PureRain, ActiveRain
- Includes 16" shower arm

GROHE EcoJoy 1.75 gpm flow limiter per each water way

- GROHE DreamSpray perfect spray pattern
- GROHE StarLight finish
- SpeedClean® anti-lime system
- Inner WaterGuide for a longer life
- Rough-in set for shower head
- 2-Way diverter rough-in set 29 900 000 (Trim set to be ordered separately)

Applicable Codes & Standards:

- Energy Policy Act of 1992
- ASME A112.18.1/CSA B125.1
- US Federal and State material regulations

Color:

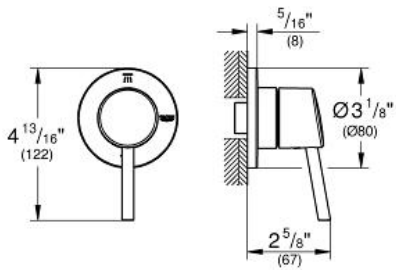
- 26502EN0 Brushed Nickel

CONCETTO
2-Way Diverter Trim (Shower
head/Hand Shower)

MODEL # 29108001

Pure Freude
an Wasser

GROHE



ADA

Product Description:

CONCETTO

2-Way Diverter Trim (Shower head/Hand Shower)

Standard Specification:

- GROHE StarLight chrome finish
- Metal lever handle for 2 outlets: shower head/hand shower
- For use with 2-way diverter rough-in valves (29 900) or (29 901)
- ADA Compliant

Applicable Codes & Standards:

- ICC/ANSI A117.1

Color:

- 29108001 StarLight Chrome

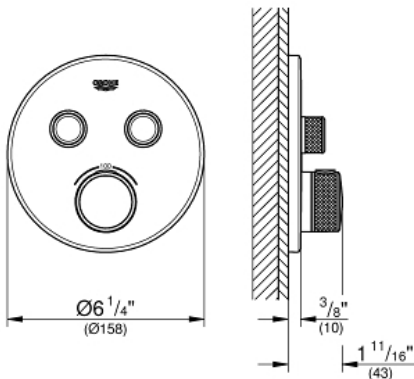
GROHTHERM SMARTCONTROL Dual Function Thermostatic Trim with Control Module

MODEL # 29137000

Pure Freude an Wasser

GROHE

GROHE America, Inc | 200 North Gary Avenue, Suite G, Roselle, IL 60172
Phone: +1 (800) 444-7643 | Fax: +1 (800) 225-2778 | us-customerservice@grohe.com



Product Description:

Dual Function Thermostatic Trim with Control Module

Standard Specification:

- Final installation set for:
- Required rough-in-set sold separately (GROHE Rapido SmartBox 35 601 000)
- Metal wall escutcheon with **GROHE QuickFix** (covered escutcheon and shaft sealing, covered fixing), 6° angle adjustable
- 3/8" (10mm) thin profile escutcheon
- **GROHE StarLight** chrome finish
- SmartControl push for ON-OFF, turn for volume adjustment from EcoJoy to Full Flow
- Includes various icons to customize push buttons
- **GROHE TurboStat** Compact cartridge with wax thermoelement
- **GROHE SafeStop** safety button at 100°F/38°C
- Built-in check valve with dirt strainer
- Multiple outlets can be run simultaneously
- Maximum flow performance combined: 7.7gpm (29L/min) @ 43.5 psi (3 bar)
- Optional flow reducer for CALGreen compliance included

Applicable Codes & Standards:

- ASME A112.18.1/CSA B125.1
- CalGreen

Color:

- 29137000 StarLight Chrome

RAPIDO SMARTBOX Universal Rough-In Box

MODEL # 35601000

Pure Freude an Wasser

GROHE

GROHE America, Inc | 200 North Gary Avenue, Suite G, Roselle, IL 60172
Phone: +1 (800) 444-7643 | Fax: +1 (800) 225-2778 | us-customerservice@grohe.com



Product Description: Universal Rough-In Box

Standard Specification:

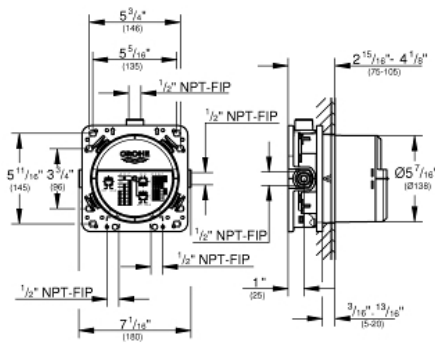
- 3 outlets 1/2" Female NPT
- 2 inlets 1/2" Female NPT
- Installation depth 3"-4" (75-105 mm)
- Pre-mounted flushing plug
- Stable built-in box and plaster guard
- Mounting options for solid walls and dry walls
- Trim not included

Applicable Codes & Standards:

- ASME A112.18.1/CSA B125.1

Color:

- 35601000 StarLight Chrome



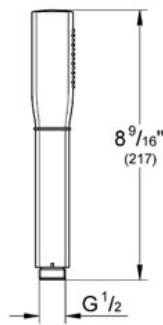
GRANDERA™ STICK Hand Shower

MODEL # 26037

Pure Freude an Wasser



GROHE America, Inc | 200 North Gary Avenue, Suite G, Roselle, IL 60172
Phone: +1 (800) 444-7643 | Fax: +1 (800) 225-2778 | us-customerservice@grohe.com



Product Description: Hand Shower

Standard Specification:

- GROHE StarLight® finish
- GROHE EcoJoy® 2.0g flow limiter
- GROHE CoolTouch No risk of scalding
- GROHE DreamSpray® perfect spray pattern
- SpeedClean anti-lime system
- Inner WaterGuide for a longer life
- Spray pattern: Rain
- Metal
- Suitable for instantaneous heater
- Universal mounting system (fits all standard shower hoses)
- Min. recommended pressure 15 psi
- Max Flow Rate 2.0 gpm (7.6 L/min)

Applicable Codes & Standards:

- Energy Policy Act of 1992
- ASME A112.18.1/CSA B125.1
- EPA WaterSense®

Color:

- 26037 000 chrome
- 26037 EN0 Brushed Nickel

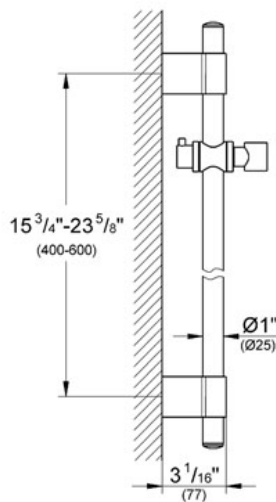
RAINSHOWER® 24" Shower Bar

MODEL # 28797

Pure Freude an Wasser



GROHE America, Inc | 200 North Gary Avenue, Suite G, Roselle, IL 60172
Phone: +1 (800) 444-7643 | Fax: +1 (800) 225-2778 | us-customerservice@grohe.com



Product Description: 24" Shower Bar

Standard Specification:

- GROHE StarLight® finish
- With wall holders
- Glide element and swivel holder
- Adjustable distance between wall mount shower holders (for adapting to existing piping)
- Suitable for the Relaxa handshowers
 - Trio (28 793)
 - Champagne spray (28 794)
 - Massage (28 795)
 - Five (28 796)
- Suitable for the Rainshower handshowers
 - 5 1/8" Classic (28 764)
 - 6 1/4" Classic (28 765)
 - 5 1/8" Cosmopolitan (28 755)
 - 6 1/4" Cosmopolitan (28 756)

Applicable Codes & Standards:

- Energy Policy Act of 1992
- ASME A112.18.1/CSA B125.1

Color:

- 28797 001 chrome
- 28797 BE0 Sterling inf
- 28797 EN1 Brushed Nickel inf

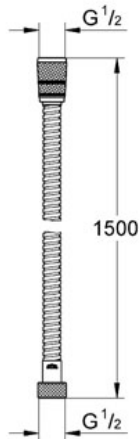
ROTAFLEX Shower Hose

MODEL # 28417

Pure Freude an Wasser



GROHE America, Inc | 200 North Gary Avenue, Suite G, Roselle, IL 60172
Phone: +1 (800) 444-7643 | Fax: +1 (800) 225-2778 | us-customerservice@grohe.com



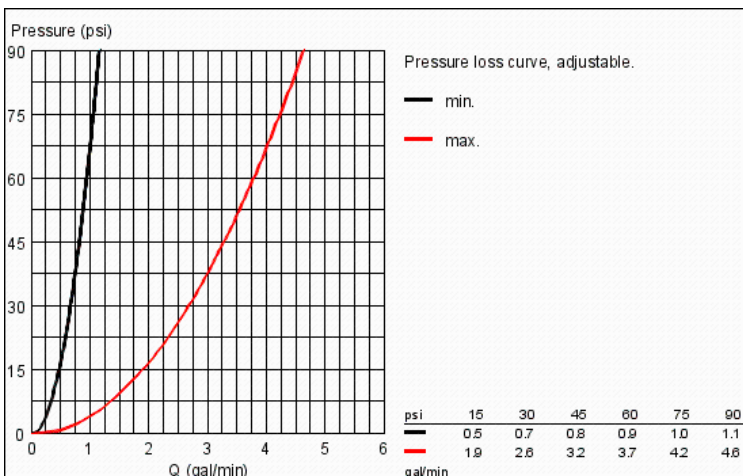
Product Description: Shower Hose

Standard Specification:

- GROHE StarLight® finish
- Rotation cone for Twistfree-function
- Silicone strip prevents hand shower from turning while in body pray position
- Metal
- 59"

Color:

- 28417 000 chrome
- 28417 ZB0 Oil Rubbed Bronze
- 28417 BE0 Sterling inf
- 28417 EN0 Brushed Nickel



RELEXA
Shower outlet elbow
MODEL # 28627

Pure Freude an Wasser



GROHE America, Inc | 200 North Gary Avenue, Suite G, Roselle, IL 60172
Phone: +1 (800) 444-7643 | Fax: +1 (800) 225-2778 | us-customerservice@grohe.com



Product Description:
Shower outlet elbow

Standard Specification:

- GROHE StarLight® finish
- 1/2" NPT Female Threads

Applicable Codes & Standards:

- Energy Policy Act of 1992
- ASME A112.18.1/CSA B125.1

Color:

- 28627 000 chrome
- 28627 EN0 Brushed Nickel

