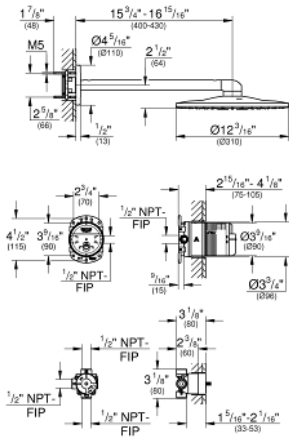


RAINSHOWER 310  
SMARTACTIVE  
Shower Head Set 2 Sprays  
MODEL # 26502EN0

Pure Freude  
an Wasser



**Product Description:**  
RAINSHOWER 310 SMARTACTIVE  
Shower Head Set 2 Sprays

**Standard Specification:**

- Consisting of:
- Rainshower 310 SmartActive shower head Brushed Nickel
- 2 Spray patterns:
- GROHE PureRain, ActiveRain
- Includes 16" shower arm

**GROHE EcoJoy** 1.75 gpm flow limiter per each water way

- **GROHE DreamSpray** perfect spray pattern
- **GROHE StarLight** finish
- **SpeedClean**® anti-lime system
- Inner WaterGuide for a longer life
- Rough-in set for shower head
- 2-Way diverter rough-in set 29 900 000 (Trim set to be ordered separately)

**Applicable Codes & Standards:**

- Energy Policy Act of 1992
- ASME A112.18.1/CSA B125.1
- US Federal and State material regulations

**Color:**

- 26502EN0 Brushed Nickel

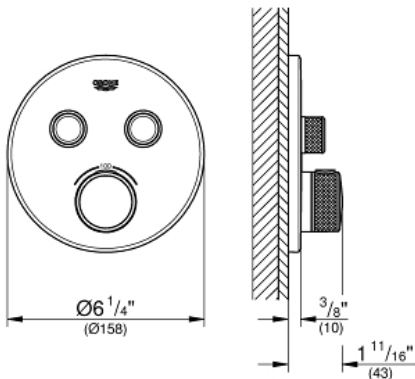
# GROHTHERM SMARTCONTROL Dual Function Thermostatic Trim with Control Module

MODEL # 29137000

*Pure Freude an Wasser*

**GROHE**

GROHE America, Inc | 200 North Gary Avenue, Suite G, Roselle, IL 60172  
Phone: +1 (800) 444-7643 | Fax: +1 (800) 225-2778 | us-customerservice@grohe.com



## Product Description:

### Dual Function Thermostatic Trim with Control Module

#### Standard Specification:

- Final installation set for:
- Required rough-in-set sold separately (GROHE Rapido SmartBox 35 601 000)
- Metal wall escutcheon with **GROHE QuickFix** (covered escutcheon and shaft sealing, covered fixing), 6° angle adjustable
- 3/8" (10mm) thin profile escutcheon
- **GROHE StarLight** chrome finish
- SmartControl push for ON-OFF, turn for volume adjustment from EcoJoy to Full Flow
- Includes various icons to customize push buttons
- **GROHE TurboStat** Compact cartridge with wax thermoelement
- **GROHE SafeStop** safety button at 100°F/38°C
- Built-in check valve with dirt strainer
- Multiple outlets can be run simultaneously
- Maximum flow performance combined: 7.7gpm (29L/min) @ 43.5 psi (3 bar)
- Optional flow reducer for CALGreen compliance included

#### Applicable Codes & Standards:

- ASME A112.18.1/CSA B125.1
- CalGreen

#### Color:

- 29137000 StarLight Chrome

# RAPIDO SMARTBOX Universal Rough-In Box

MODEL # 35601000

*Pure Freude an Wasser*

**GROHE**

GROHE America, Inc | 200 North Gary Avenue, Suite G, Roselle, IL 60172  
Phone: +1 (800) 444-7643 | Fax: +1 (800) 225-2778 | us-customerservice@grohe.com



## Product Description: Universal Rough-In Box

### Standard Specification:

- 3 outlets 1/2" Female NPT
- 2 inlets 1/2" Female NPT
- Installation depth 3"-4" (75-105 mm)
- Pre-mounted flushing plug
- Stable built-in box and plaster guard
- Mounting options for solid walls and dry walls
- Trim not included

### Applicable Codes & Standards:

- ASME A112.18.1/CSA B125.1

### Color:

- 35601000 StarLight Chrome

