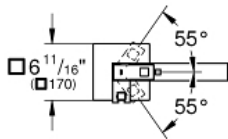
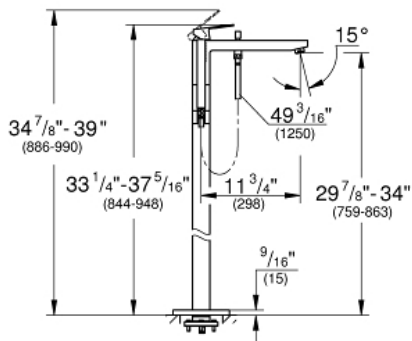


EUROCUBE  
MODEL # 23672001

Pure Freude an Wasser



GROHE America, Inc | 200 North Gary Avenue, Suite G, Roselle, IL 60172  
Phone: +1 (800) 444-7643 | Fax: +1 (800) 225-2778 | us-customerservice@grohe.com



**Product Description:**

**Standard Specification:**

- Final installation set for:
  - 45 984 001
  - Rough-In Set (29 038 001)
  - 29 086 000
- Requires Rough-In Set (29 038 001) (sold separately)
- **GROHE SilkMove** 35 mm ceramic cartridge
- With temperature limiter
- **GROHE StarLight** chrome finish
- Automatic diverter: bath/shower
- Spout with flow control
- 49" SilverFlex shower hose (28 362 000)
- 11 3/4" spout reach
- 1/2" Integrated non-return valve in the shower outlet
- Protected against backflow
- With shower holder

**Color:**

- 23672001 StarLight Chrome