

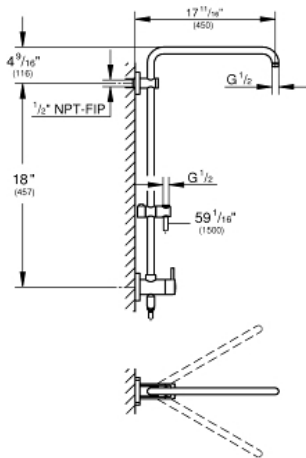
Shower System

MODEL # 26486000

Pure Freude an Wasser

GROHE

GROHE America, Inc | 200 North Gary Avenue, Suite G, Roselle, IL 60172
Phone: +1 (800) 444-7643 | Fax: +1 (800) 225-2778 | us-customerservice@grohe.com



Product Description: Shower System

Standard Specification:

- 17 3/4" horizontal swivel shower arm
- Switch between hand shower and showerhead via built-in diverter
- 6 diverter functions (2 discrete functions (non shared) + one shared function in both standard and Eco flow)
- Showerhead and hand shower (not included)
- Bar with adjustable height hand shower holder
- Distance between diverter and upper bracket 18" (457 mm)
- Rotaflex shower hose (1500 mm) (28 417)
- Angle adapter to prevent hose interfering with shower valve

- Optional **GROHE EcoJoy** 1.8 gpm (6.6 l/min) flow limiter included
- **GROHE StarLight** chrome finish
- Inner WaterGuide for a longer life
- Twistfree to prevent hose from twisting
- Min. recommended pressure: 15 psi
- System includes 2 back flow preventers
- Optional compensation disc (26 030) available for uneven wall installation
- Optional height extension (26 464) available for raising the shower head
- CALGreen compliant

Color:

- 26486000 chrome