

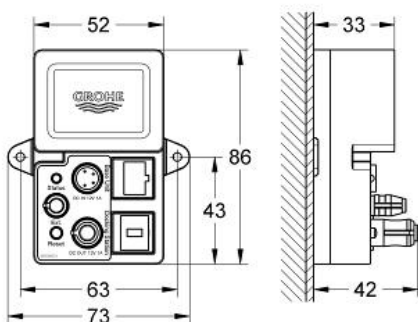
# GROHE F-DIGITAL DELUXE

MODEL # 36371000

Pure Freude an Wasser



GROHE America, Inc | 200 North Gary Avenue, Suite G, Roselle, IL 60172  
Phone: +1 (800) 444-7643 | Fax: +1 (800) 225-2778 | us-customerservice@grohe.com



## Product Description:

### Standard Specification:

Integrated electronics for wireless data communication

- Wall mount

86 x 73 x 42 mm

Features:

Reset switch

Status indicator (LED)

Standalone/maximum configuration

One-to-one connection

Safety cut-off mechanism (1 user)

Safety shutdown in case of loss of connection

Connection cable set for data communication and power supply (5 m each)

- CE approved

Bluetooth transmitter power supply: 12 V

Bluetooth® transmitter frequency: 2.4 GHz

Bluetooth range (max. 10 m) varies depending on used materials and walls between transmitter and receiver

Bluetooth-enabled device (Bluetooth V2.1 or higher) necessary

System requirements for Android:

Operating system: as of release, 2.3.3

Pixel density: 160 dpi minimum

Display resolution: 320 x 470 pixels per inch

### System requirements for Apple:

Apple operating system: as of release, iOS 6.0 and above

Mobile devices and GROHE SPA F-digital deluxe App\*\*\* are not included in delivery and have to be ordered separately via an authorised Apple store/iTunes store or Google Play store.

### Color:

□ 36371000 no colour

MODEL # 36418000

Pure Freude an Wasser



GROHE America, Inc | 200 North Gary Avenue, Suite G, Roselle, IL 60172  
Phone: +1 (800) 444-7643 | Fax: +1 (800) 225-2778 | us-customerservice@grohe.com



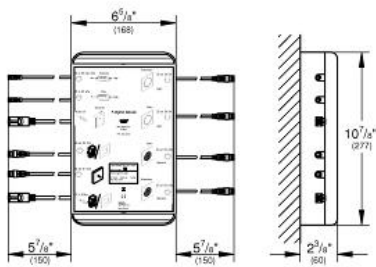
**Product Description:**

**Standard Specification:**

- For connecting light, sound and steam modules
- Consisting of:

**Color:**

- 36418000 chrome



# RAINSHOWER F-SERIES

MODEL # 29072000

*Pure Freude an Wasser*



GROHE America, Inc | 200 North Gary Avenue, Suite G, Roselle, IL 60172  
Phone: +1 (800) 444-7643 | Fax: +1 (800) 225-2778 | us-customerservice@grohe.com



## Product Description:

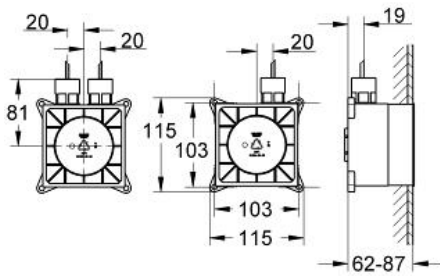
### Standard Specification:

For use with F-Digital Deluxe double light modules (36 359 000)

- Consisting of:
  - 2 rough-in boxes (115 x 115 x 62-87 mm)
  - 2 extension cables for connection to the control box, each 196" (5 m) long

### Color:

□ 29072000 no colour



# GROHE F-DIGITAL DELUXE

MODEL # 36417000

*Pure Freude an Wasser*



GROHE America, Inc | 200 North Gary Avenue, Suite G, Roselle, IL 60172  
Phone: +1 (800) 444-7643 | Fax: +1 (800) 225-2778 | us-customerservice@grohe.com



**Product Description:**

**Standard Specification:**

**Color:**

36417000 chrome

# RAINSHOWER F-SERIES

MODEL # 29073000

*Pure Freude an Wasser*



GROHE America, Inc | 200 North Gary Avenue, Suite G, Roselle, IL 60172  
Phone: +1 (800) 444-7643 | Fax: +1 (800) 225-2778 | us-customerservice@grohe.com



## Product Description:

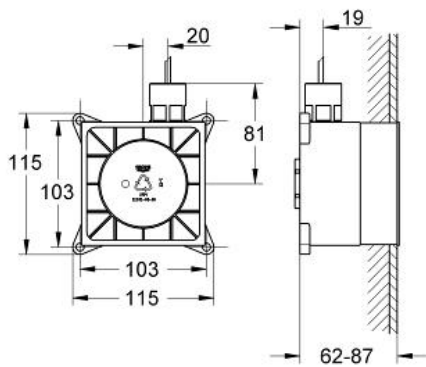
### Standard Specification:

For use with double sound modules (36 360 000)

- Consisting of:
  - 2 rough-in boxes (115 x 115 x 62-87 mm)
  - 2 extension cables for connection to the control box, each 196" (5 m) long

### Color:

- 29073000 no colour



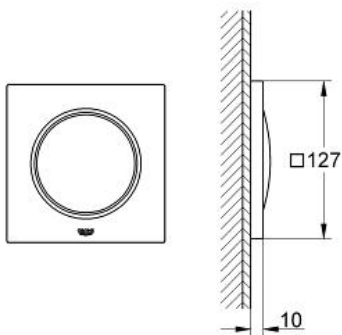
# RAINSHOWER F-SERIES

MODEL # 36359000

*Pure Freude an Wasser*



GROHE America, Inc | 200 North Gary Avenue, Suite G, Roselle, IL 60172  
Phone: +1 (800) 444-7643 | Fax: +1 (800) 225-2778 | us-customerservice@grohe.com



## Product Description:

### Standard Specification:

127 x 127 mm per module

Full-spectrum LED: soft light with changing rainbow colors  
Individually adjustable: permanent lighting with color selection

#### • Consisting of:

Waterproof & corrosion protected

Supply voltage: 12 V DC

#### • CE approved

#### • GROHE StarLight chrome finish

• This product contains built-in LED lamps which cannot be changed; energy efficiency class: A+

• For detailed planning and product information please contact your local GROHE Customer Service

### Color:

□ 36359000 chrome

# RAINSHOWER F-SERIES

MODEL # 36360000

*Pure Freude an Wasser*



GROHE America, Inc | 200 North Gary Avenue, Suite G, Roselle, IL 60172  
Phone: +1 (800) 444-7643 | Fax: +1 (800) 225-2778 | [us-customerservice@grohe.com](mailto:us-customerservice@grohe.com)



## Product Description:

### Standard Specification:

127 x 127 mm per module

Full-range stereo speaker

- Consisting of:

2 speakers with plug connections

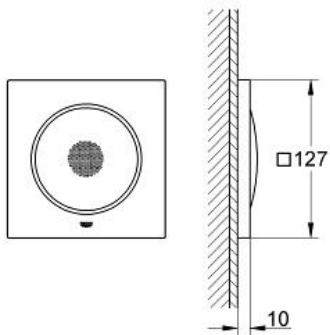
Waterproof & corrosion protected

- **GROHE StarLight** chrome finish

- For detailed planning and product information please contact your local GROHE Customer Service

### Color:

- 36360000 chrome



# Temperature Sensor

MODEL # 36419000

*Pure Freude an Wasser*



GROHE America, Inc | 200 North Gary Avenue, Suite G, Roselle, IL 60172  
Phone: +1 (800) 444-7643 | Fax: +1 (800) 225-2778 | us-customerservice@grohe.com



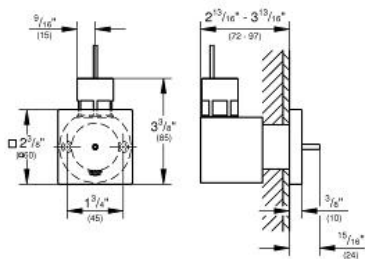
## Product Description: Temperature Sensor

### Standard Specification:

- Consisting of:
- **GROHE StarLight** chrome finish
- For detailed planning and product information please contact your local GROHE Customer Service

### Color:

- 36419000 chrome





# STEAMIST®

## Steam Generator

Models: SM-12 and SM-15

### Features

Limited Lifetime warranty - 2-year in home labor warranty where available

Generator typically can be installed up to 25 ft. from the bathing area

Diagnostic LED Displays

Stainless Steel Construction

Solid-State Circuitry

### Codes/Standards

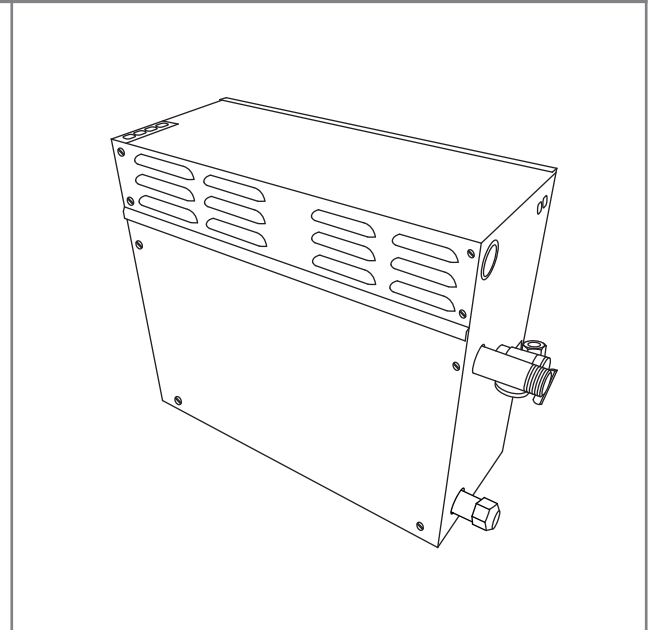
UL 499

UL/CUL Listed

City of LA - Approved

City of New York - M.E.A. Approved

State of Mass. Approved



## Steam Generator Specification Chart

Model Number	Product Number	KW Rating	*Max. Cu. Ft. Range	Volts/Phase/Max. Amps	Line Fuse	Dimensions L x W x H
SM-12	1200	12	550	240/1/50	60	17¾" x 7½" x 15½"
	1201			208/1/58	70	
	1202			240/3/29	40	
	1203			208/3/33	40	
SM-15	1500	15	675	240/1/63	80	17¾" x 7½" x 15½"
	1501			208/1/72	90	
	1502			240/3/36	50	
	1503			208/3/42	50	

\* Refer to sizing guidelines to accurately determine the proper size generator for the installation.  
 90°C copper wire is required for generator connection. Installation shall be in accordance with NEC and local electrical codes.

### Required Equipment

SMC-150 Control

### Required Electrical Service

Dedicated circuit required: See Specification Chart for proper electrical requirements

### Product Information

Water Supply - ⅜" Compression Fitting, 120 PSI Max

Steam Line - ¼" Brass NPT male thread

Pressure Relief Valve - ¼" NPT female thread

Drain Line - Capped ½" Brass NPT male thread.

### Generator

Weight - 50 lbs.

### Installation Notes

Steam Generators can be typically mounted within 25 ft. of the bathing area.

Steam Generators should be accessible for service.

Do NOT install near flammable material such as paints, thinners, gasoline, etc.

Steam generators must NOT be installed outdoors, in moist, humid areas, in areas prone to freezing, or extreme heat such as an unventilated attic. To do so will void the warranty.

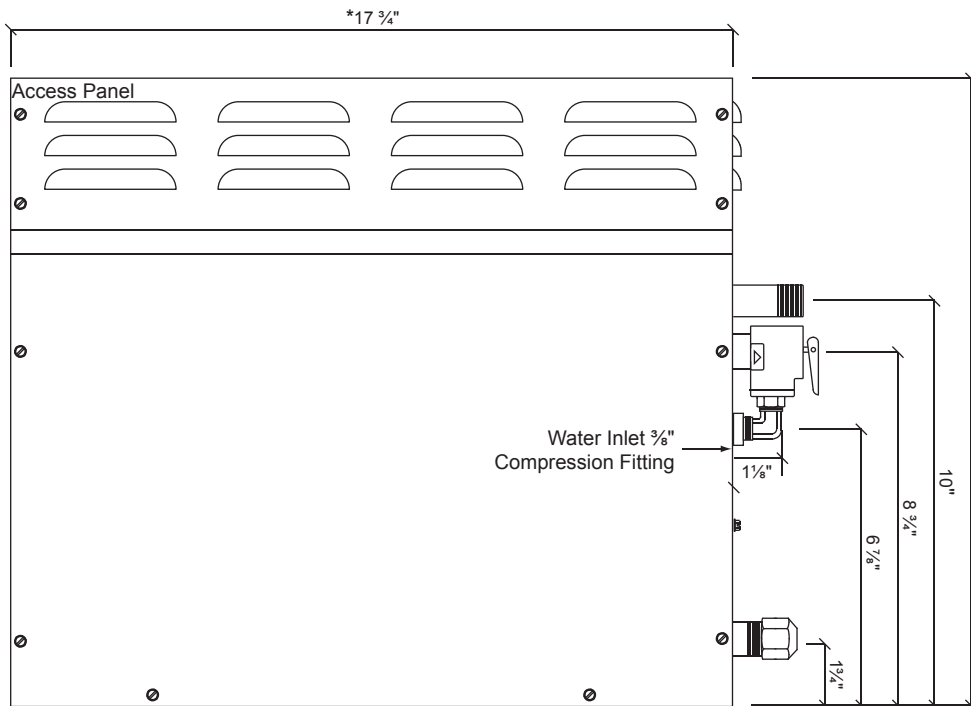
Steamhead to be mounted 12" to 18" above floor or 6" above rim of tub and as far from the seating area as possible.

### Rough-in Notes

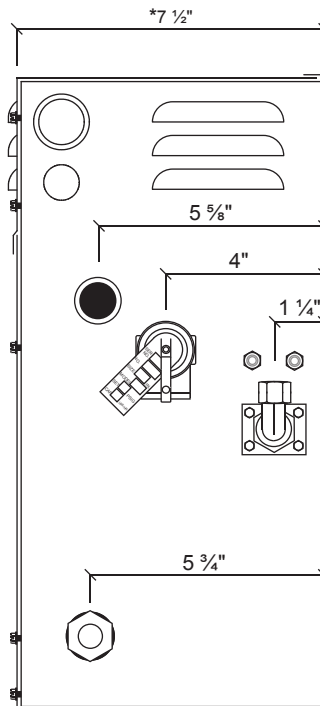
Access: 28" W x 18" D x 22" H (35" W with Auto Drain)

Dimensional Drawing

Models: SM-12 and SM-15

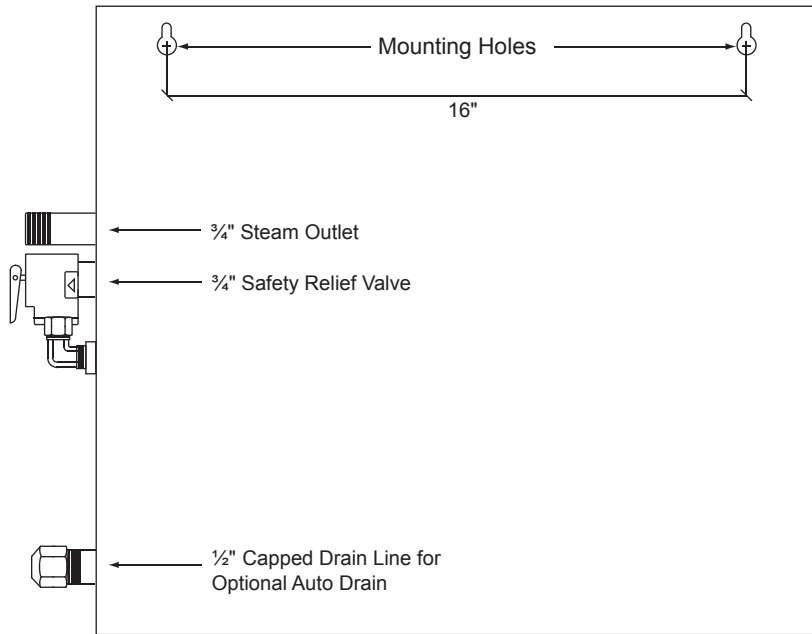


Front Access

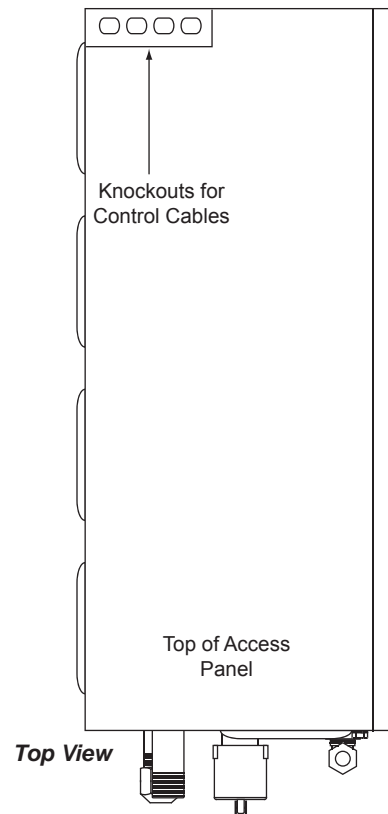


Front Side View

\* Add  $\frac{1}{4}$ " to the dimension for the louvers



Back View



Top View

# STEAMIST®

Steamhead

Model: 3199

## Product Information – 3199

**Material:** Brass

**Product No. - Finishes:**

**3199-PC** - Polished Chrome

**3199-PN** - Polished Nickel

**3199-BN** - Brushed Nickel

**3199-AB** - Antique Brass\*

**3199-PB** - Polished Brass\*

**3199-PG** - Polished Gold

**3199-ORB** - Oil Rubbed Bronze

**3199-BB** - Brushed Bronze

**\*While Supplies last**

## Notes

### Installation Notes

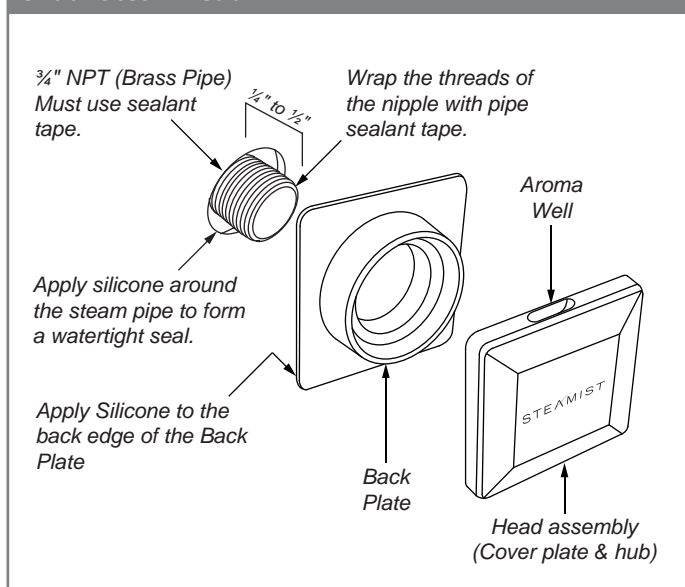
Steamline - 3/4" Copper or Brass NPT male thread.

### Rough-in Notes

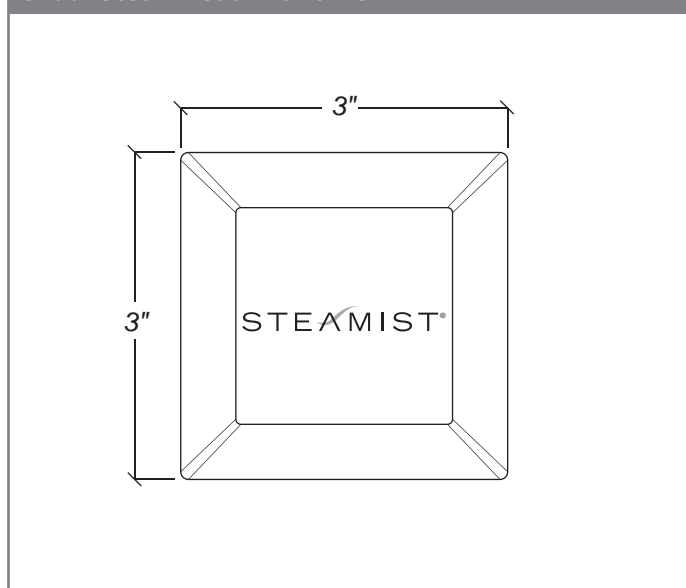
Steamline should protrude 1/4" to 1/2" from finished surface.

Steamhead to be mounted 18" above the finished floor or 6" above the rim of the tub and as far from the seating area as possible.

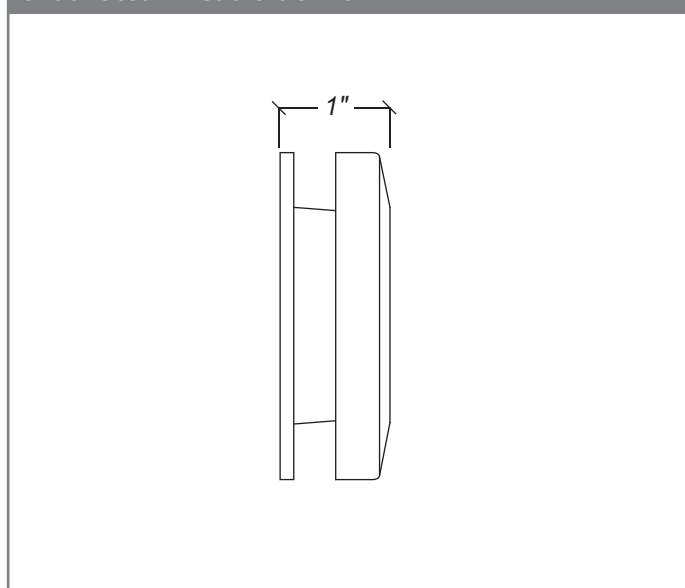
## 3199 Steamhead



## 3199 Steamhead Front View



## 3199 Steamhead Side View



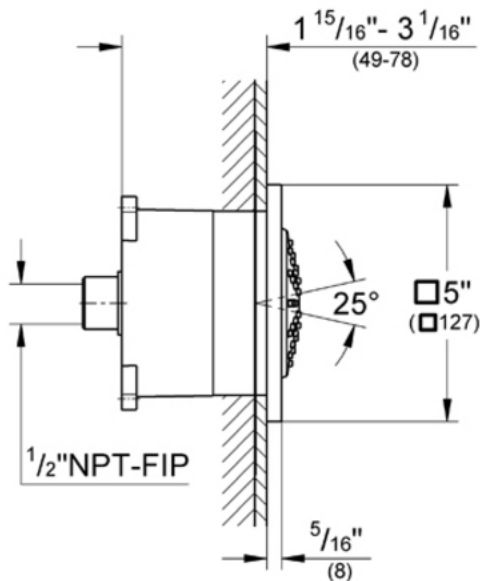
## 27 252 F5 Body Spray



### Description

5" x 5"  
1/2" NPT female threads  
GROHE DreamSpray® Technology  
Spray plate with ball joint (12.5° rotation)  
GROHE FlowBalance (a regulating screw to adjust flow rate and spray performance of body spray) have perfect water flow even in customized multiple shower installations  
SpeedClean® Anti-Line System

Spray: normal



### Flow Rate

2.5 gpm at 80 psai (9.5 lpm)

### Code Compliance

ASME/ANSI A112.18.1M

### Finish Options

27 252 000 Starlight® Chrome

# RAINSHOWER® F-SERIES 20"

## Head shower 1 spray

27288

Pure Freude an Wasser



GROHE America, Inc | 200 North Gary Avenue, Suite G, Roselle, IL 60172  
 Phone: +1 (800) 444-7643 | Fax: +1 (800) 225-2778 | us-customerservice@grohe.com

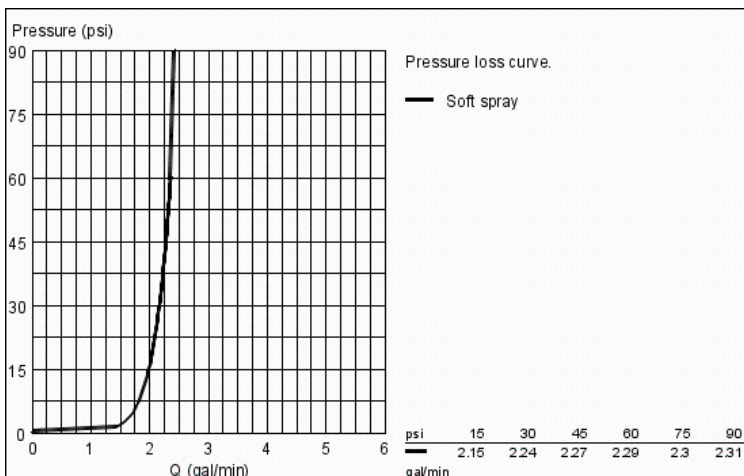
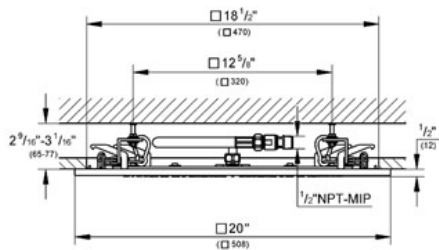


### Head shower 1 spray

- GROHE StarLight® finish
- GROHE DreamSpray® perfect spray pattern
- SpeedClean anti-lime system
- Suitable for instantaneous heater
- 20" x 20"
- Rain spray
- 1/2" NPT Female thread
- Max Flow Rate 2.5 gpm at 80 psi (9.5 L/min)

#### Color:

□ 27288 000 chrome



## 28 417 Twist-Free Hoses



### **Description**

---

59" metal hand shower hose  
Rotating hand shower connector eliminates hose twisting  
Connector with silicone strip to hold hand shower firmly in place on shower bar

### **Flow Rate**

---

NA

### **Code Compliance**

---

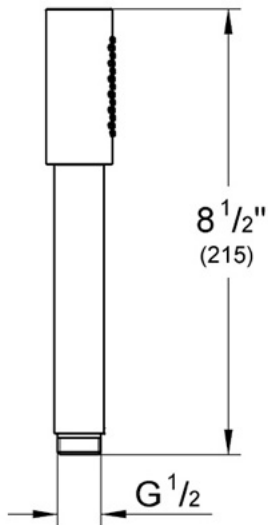
ASME/ANSI A112.18.1M

### **Finish Options**

---

28 417 OOO Starlight® Chrome  
28 417 ROO Infinity Polished Brass  
28 417 AVO Infinity Satin Nickel  
28 417 RRO Velour Chrome  
28 417 BEO Sterling Infinity Finish  
28 417 ENO Infinity Brushed Nickel  
28 417 ZBO Oil Rubbed Bronze

## 28 341 Hand Shower



### Description

---

GROHE DreamSpray® Technology  
Speedclean anti-lime system

Spray: Non-adjustable wide spray

### Flow Rate

---

2.5 gpm at 80 psi

### Code Compliance

---

ASME/ANSI A112.18.1M

### Finish Options

---

28 341 OOO Starlight® Chrome  
28 341 AVO Infinity Satin Nickel  
28 341 BEO Sterling Infinity Finish

## 35 026 Universal Rough-In Box



### Description

- 1/2" inlets and outlets
- Fixing points for front and back wall
- Leakproof housing
- Integrated service stops
- Flushing plug
- Removable protection cover with installation information

For use with the GrohFlex Bathroom Solution Kits (sold separately): Single Function, Dual Function, or Custom Shower.

### Flow Rate

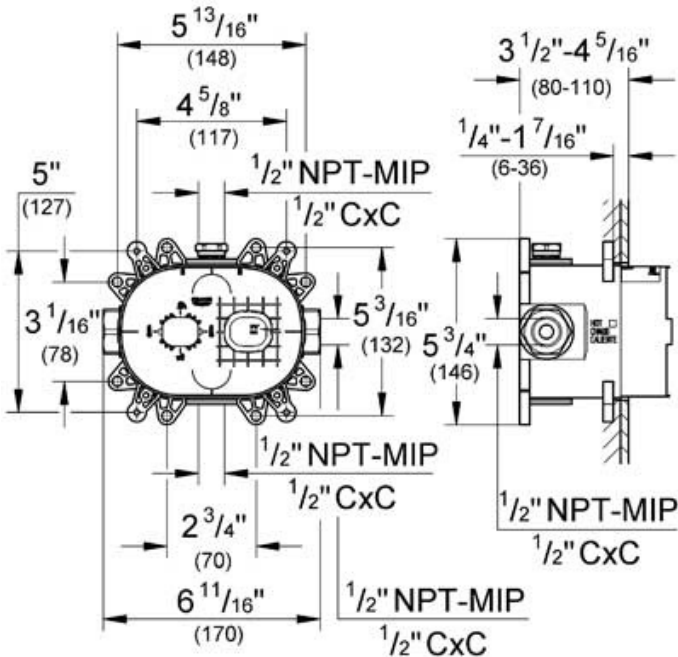
N/A

### Code Compliance

ASME/ANSI A112.18.1M  
CSA Standard B125.1-05

### Available Finishes

000 Rough-In





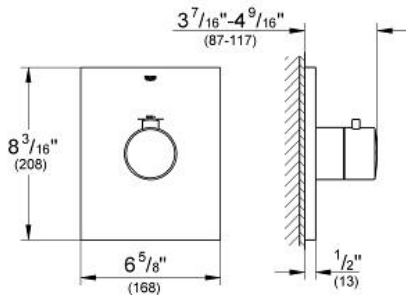
# GROHTherm F Thermostatic Trim with Temperature Control Module

MODEL # 27620000

Pure Freude an Wasser



GROHE America, Inc | 200 North Gary Avenue, Suite G, Roselle, IL 60172  
Phone: +1 (800) 444-7643 | Fax: +1 (800) 225-2778 | us-customerservice@grohe.com



### Product Description: Thermostatic Trim with Temperature Control Module

#### Standard Specification:

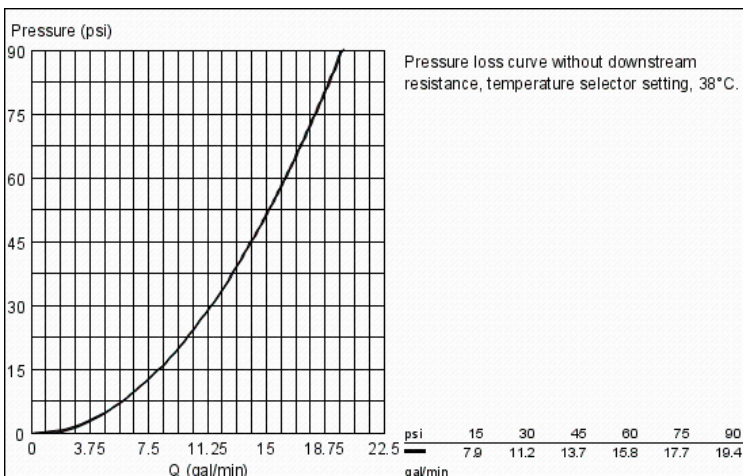
- For high-flow, multiple outlet custom shower applications
- Requires separate volume controls
- **GROHE TurboStat**
- Requires GrohFlex™ universal rough-in box (35 026 000) (sold separately)
- **GROHE StarLight** chrome finish
- Metal handle for temperature control
- Exposed thermostatic temperature control with SafeStop at 100°F/38°C
- Rectangular metal wall escutcheon with concealed mounting seals
- Max Flow Rate: 14 gpm at 45 psi

#### Applicable Codes & Standards:

- Energy Policy Act of 1992
- ASME A112.18.1/CSA B125.1

#### Color:

- 27620000 chrome



# RAPIDO C

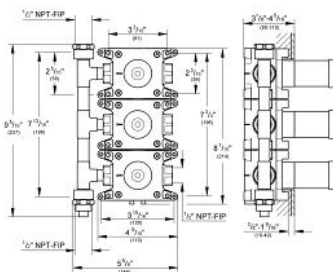
## Rough-in for triple volume control 27 625

MODEL # 35032000

Pure Freude an Wasser



GROHE America, Inc | 200 North Gary Avenue, Suite G, Roselle, IL 60172  
 Phone: +1 (800) 444-7643 | Fax: +1 (800) 225-2778 | us-customerservice@grohe.com



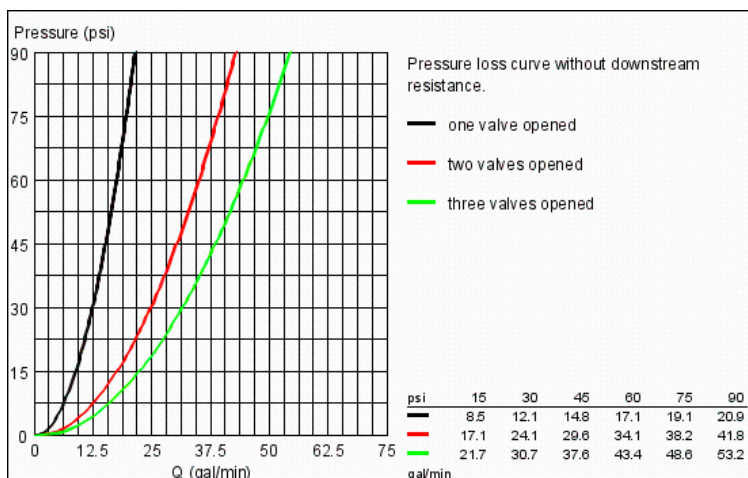
ADA

**Product Description:**  
 Rough-in for triple volume control 27 625

- Standard Specification:**
- For grid installation of GrohTherm F Custom Shower system and GrohFlex
  - Built-in box with removable protection cover
  - For masonry and drywall installation
  - Fixing points for front and back wall
  - Body of DR brass
  - Pre-assembled ceramic headpart 3/4"
  - 1/2" NPT connection thread(s)

- Applicable Codes & Standards:**
- Energy Policy Act of 1992
  - ASME A112.18.1/CSA B125.1
  - ICC/ANSI A117.1

**Color:**  
 35032000 no colour

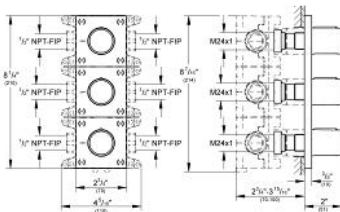


GROHTHERM F  
Triple Volume Control Trim  
MODEL # 27625000

*Pure Freude an Wasser*



GROHE America, Inc | 200 North Gary Avenue, Suite G, Roselle, IL 60172  
Phone: +1 (800) 444-7643 | Fax: +1 (800) 225-2778 | us-customerservice@grohe.com



**Product Description:**  
Triple Volume Control Trim

**Standard Specification:**

- GROHE StarLight chrome finish
- Metal handles for volume control
- Metal wall escutcheon with hidden fixing and hidden sealing
- Vertical and horizontal installation

**Applicable Codes & Standards:**

- Energy Policy Act of 1992
- ASME A112.18.1/CSA B125.1

**Color:**

- 27625000 chrome

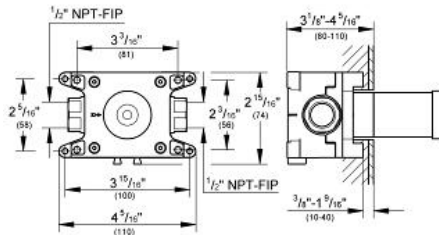
# GROHTHERM F Rough-in for wall shower union 27 621

MODEL # 35035000

Pure Freude an Wasser



GROHE America, Inc | 200 North Gary Avenue, Suite G, Roselle, IL 60172  
Phone: +1 (800) 444-7643 | Fax: +1 (800) 225-2778 | us-customerservice@grohe.com



**Product Description:**  
Rough-in for wall shower union 27 621

- Standard Specification:**
- For grid installation of GrohTherm F Custom Shower system and GrohFlex
  - Built-in box with removable protection cover
  - Flushing plug
  - For masonry and drywall installation
  - Fixing points for front and back wall
  - Body of DR brass
  - 1/2" NPT connection thread(s)

- Applicable Codes & Standards:**
- Energy Policy Act of 1992
  - ASME A112.18.1/CSA B125.1

**Color:**  
 35035000 no colour

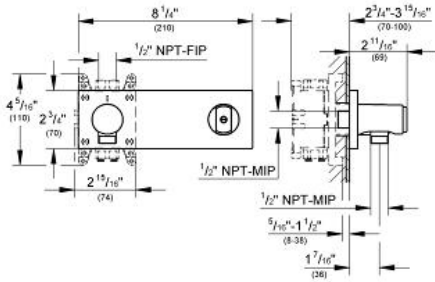
# GROHOTHERM F Wall Union with Intergrated Hand Shower Holder

MODEL # 27621000

*Pure Freude an Wasser*

**GROHE**

GROHE America, Inc | 200 North Gary Avenue, Suite G, Roselle, IL 60172  
Phone: +1 (800) 444-7643 | Fax: +1 (800) 225-2778 | us-customerservice@grohe.com



**Product Description:**  
Wall Union with Intergrated Hand Shower Holder

- Standard Specification:**
- Vertical or horizontal installation
  - 1/2" shower outlet
  - Hand shower and shower hose sold separately
  - Protected against backflow

- Applicable Codes & Standards:**
- Energy Policy Act of 1992
  - ASME A112.18.1/CSA B125.1

**Color:**  
 27621000 chrome