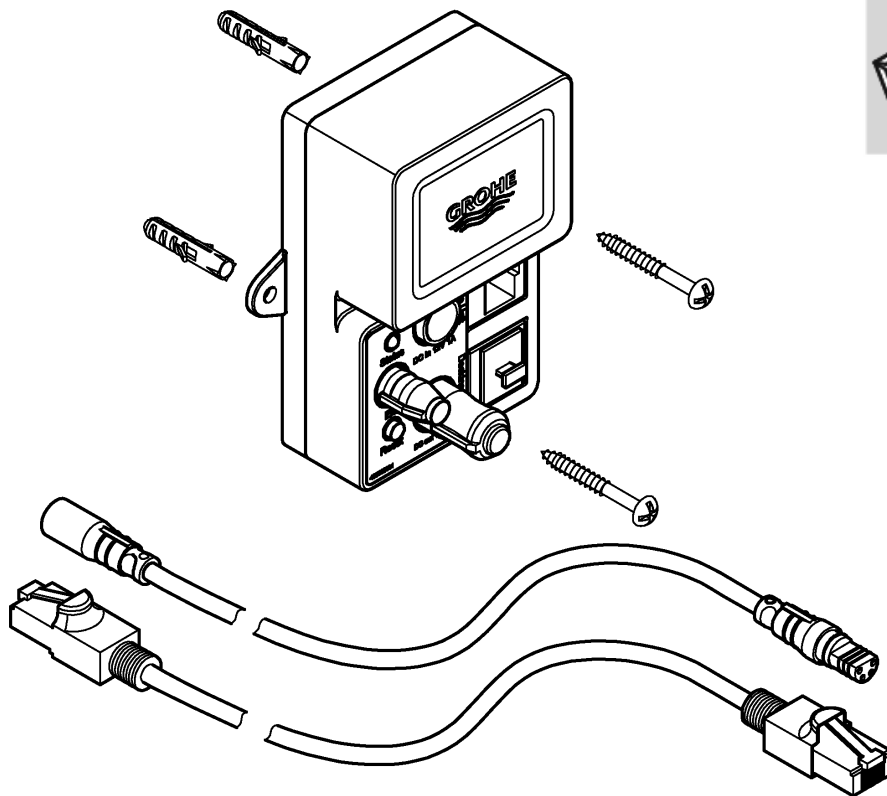




36 371



for Android™

2.3.3 and above
 Requirements to the device:
 min. 160 dpi pixel density
 min. 320x470 pixel resolution

Made for



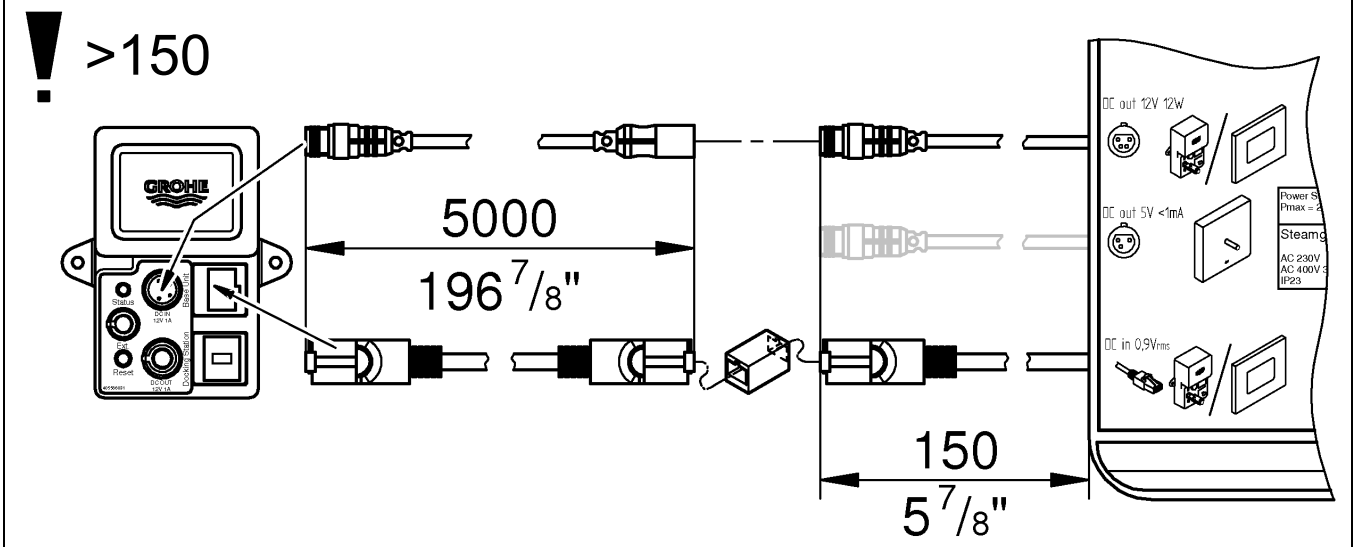
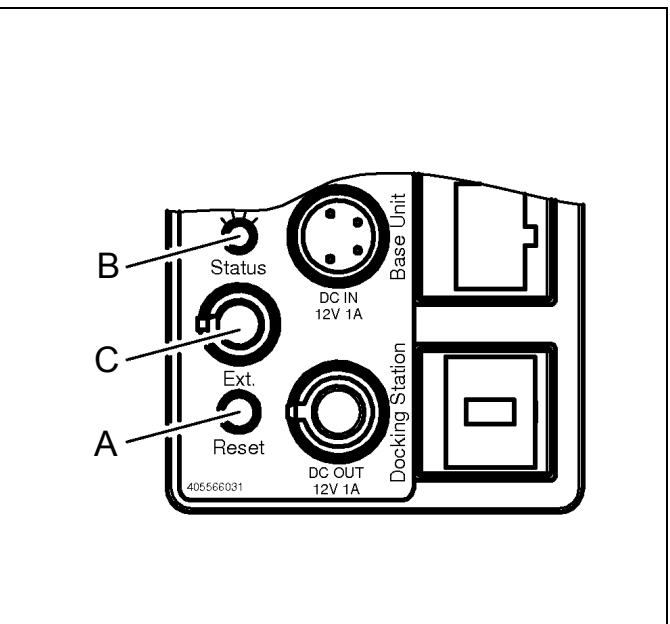
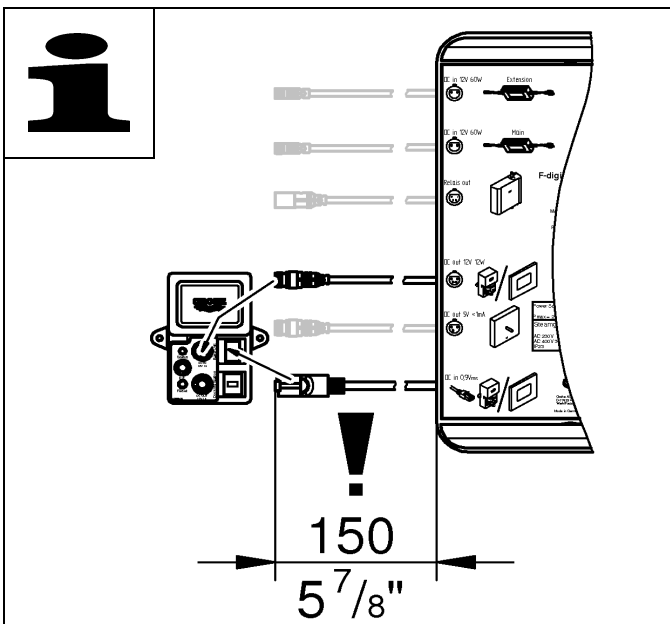
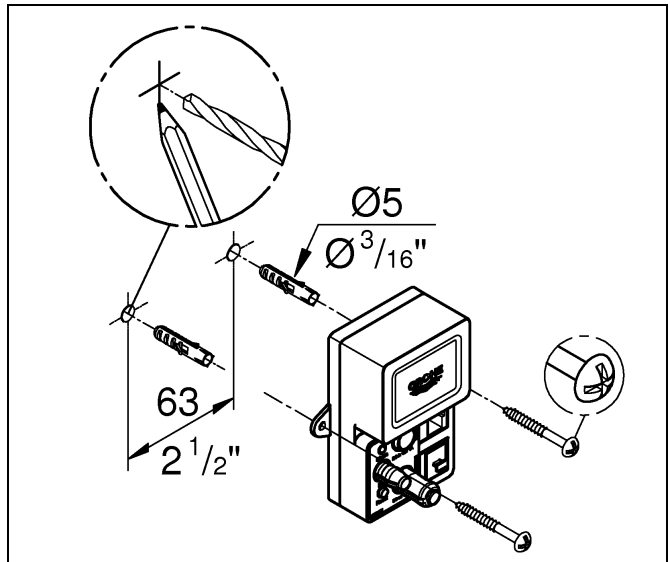
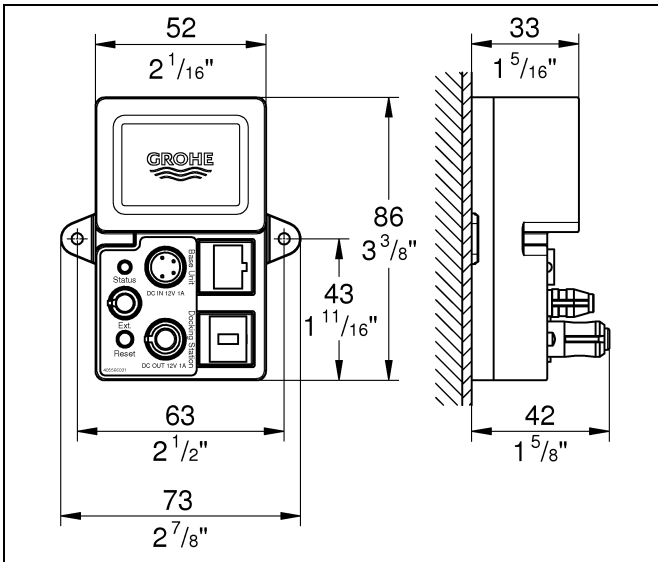
Made for iPod® touch (6th generation), iPod® touch (5th generation), iPod® touch (4th generation), iPhone® 6 Plus, iPhone® 6, iPhone® 5s, iPhone® 5c, iPhone® 5, iPhone® 4S, iPhone® 4, iPad® Air2, iPad® mini 3, iPad® Air, iPad® mini 2, iPad® mini, iPad® (4th generation)

iPod touch, iPhone, iPad and iTunes are Trademarks of Apple Inc., registered in the U.S. and other countries. "Made for iPod, iPhone, iPad" means that an electrical accessory has been designed to connect specifically to iPod, iPhone, iPad and has been certified by the developer to meet Apple performance standards.

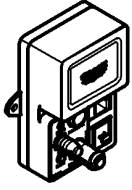
Apple is not responsible for the function of this device or its compliance with safety and regulatory standards.

The Bluetooth® word mark and logos are registered trademarks owned by Bluetooth SIG, Inc. and any use of such marks by Grohe AG is under license. Other trademarks and trade names are those of their respective owners.

D1	NL16	PL31	P46	BG61	CN76
GB4	S19	UAE34	TR49	EST64	UA79
F7	DK22	GR37	SK52	LV67	RUS82
E10	N25	CZ40	SLO55	LT70	USA85
I13	FIN28	H43	HR58	RO73	CDN85



Bitte diese Anleitung an den Benutzer der Armatur weitergeben!
 Please pass these instructions on to the end user of the fitting.
 S.v.p remettre cette instruction à l'utilisateur de la robinetterie!

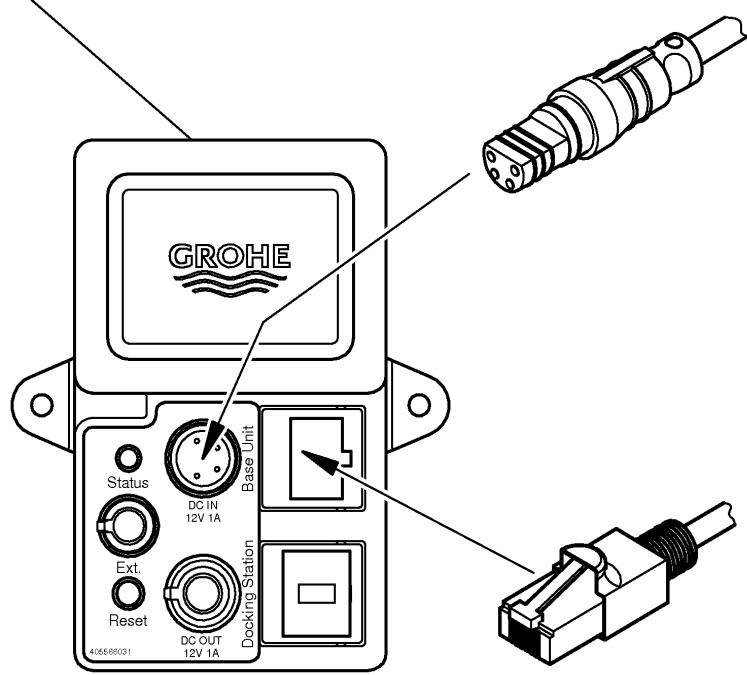
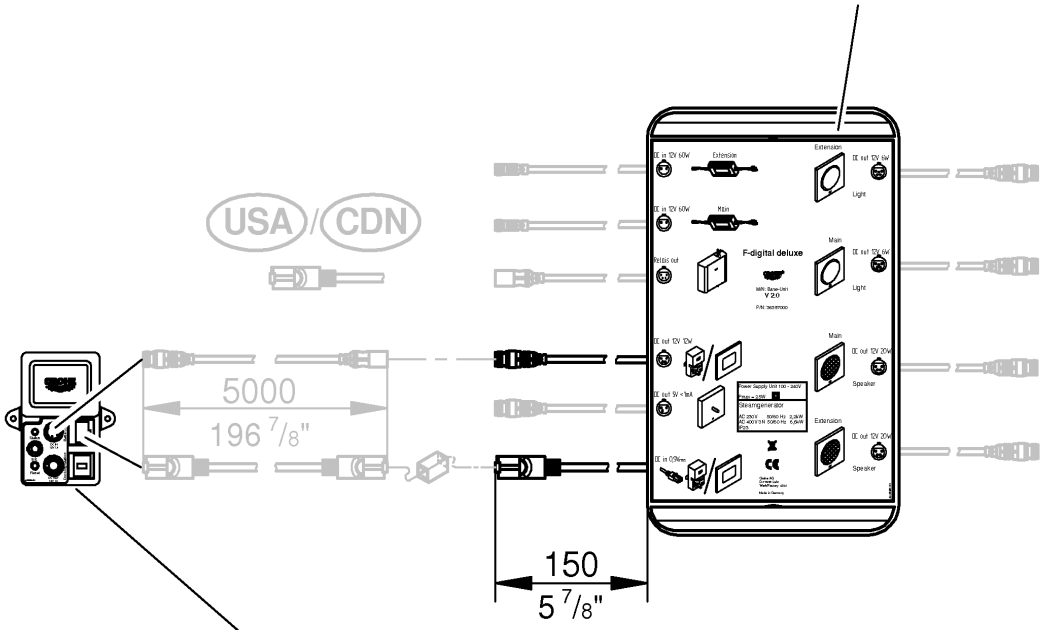


USA / CDN

26 374
36 418
36 397



USA / CDN





Note: Read the installation instructions for the control unit prior to installation. These contain important information for safe and professional installation in combination with other modules.

The Ethernet- and the power supply cable are included in the scope of delivery. Use only these genuine parts.

Safety notes



Danger of electric shock!

Avoid danger due to damaged connection cables. In the case of damage, the connection cable must be replaced by the manufacturer or its customer service department or an equally qualified person.

- To comply with the emissions requirements shielded management Ethernet cables and couplers must be used! The coupler is part of the delivery of the control unit 36 397.
- Installation is only possible in frost-free rooms.
- The *Bluetooth*[®] adapter must **not** be directly or indirectly sprayed with water when cleaning.
- The maximum permissible distance between the *Bluetooth*[®] adapter and the control unit is 14.8 ft (4,5m).
- Children and adults with physical, mental and/or sensory impairments must not use the product unsupervised.
- The product must not be used by people under the influence of alcohol or drugs.

Applications/function

- Interface for controlling light, music and steam.

Compatible with Apple and Android devices with *Bluetooth*[®] version 2.1+EDR (limitation by App to be considered). The required App is available for free in the iTunes Store and the Google Play store.

Technical data

- Power supply: 12 V DC
- Power consumption: 1 W
- Output: *Bluetooth*[®] - Class 2
- *Bluetooth*[®] - version: 2.1 + EDR
- *Bluetooth*[®] - Transmission distance: about 32.8 ft (10m) (depending on the environments)
- Supported audio codec: SBC
- Supported *Bluetooth*[®] - profile: A2DP, SPP

Compliance statement (part 15.19)

This device complies with part 15 of the FCC Rules and with Industry Canada licence-exempt RSS standard(s). Operation is subject to the following two conditions: (1) This device may not cause harmful interference, and (2) this device must accept any interference received, including interference that may cause undesired operation.

Le présent appareil est conforme aux CNR d'Industrie Canada applicables aux appareils radio exempts de licence. L'exploitation est autorisée aux deux conditions suivantes: (1) l'appareil ne doit pas produire de brouillage, et (2) l'utilisateur de l'appareil doit accepter tout brouillage radioélectrique subi, même si le brouillage est susceptible d'en compromettre le fonctionnement.

Warning (part 15.21)

Changes or modifications not expressly approved by the party responsible for compliance could void the user's authority to operate the equipment.

Tout changement ou toute modification qui ne serait pas approuvé expressément par la partie responsable de la conformité peut annuler l'autorisation d'utilisation de l'équipement de l'utilisateur.

RF Exposure (OET Bulletin 65)

To comply with FCC RF exposure requirements for mobile transmitting devices, this transmitter should only be used or installed at locations where there is at least 7 7/8" (20cm) separation distance between the antenna and all persons.

Information to the User (Part 15.105 (b))

Note: This equipment has been tested and found to comply with the limits for a Class B digital device, pursuant to part 15 of the FCC Rules. These limits are designed to provide reasonable protection against harmful interference in a residential installation. This equipment generates, uses and can radiate radio frequency energy and, if not installed and used in accordance with the instructions, may cause harmful interference to radio communications. However, there is no guarantee that interference will not occur in a particular installation. If this equipment does cause harmful interference to radio or television reception, which can be determined by turning the equipment off and on, the user is encouraged to try to correct the interference by one or more of the following measures:

- Reorient or relocate the receiving antenna.
- Increase the separation between the equipment and receiver.
- Connect the equipment into an outlet on a circuit different from that to which the receiver is connected.
- Consult the dealer or an experienced radio/TV technician for help.

Installation of the App

Apple:

- Access the App Store directly from the device (requires a wireless network connection and an Apple account).
- Access the iTunes Store via iTunes (requires iTunes to be installed on the computer and an Apple account).
- Via QR code



Android:

- Access the Google Play Store directly from the device (requires a wireless network connection and a Google account).
- Via www.play.google.com (requires a Google account).
- Via QR code



Additional instructions for using the app can be downloaded under www.grohe.com/tpi/f-digital-deluxe.

Installation of the *Bluetooth*[®] adapter

Fitting and connection, see fold-out pages I and II.

Refer to the dimensional drawing on fold-out page I.

New installation, see fold-out page II.

The installation must be done outside the steam cabin in an accessible area. The *Bluetooth*[®] adapter operates in a frequency band of 2.4GHz. The installation near devices with the same frequency band (eg wireless devices, DECT phones, etc. (observe manufacturer documentation)) should be avoided.

External interface

Via the external interface the *Bluetooth*® adapter can be rebooted or resetted. It is adapted as a break contact, which can be used with conventional nc (normally closed) type switches or push buttons.

1. Turn the entire system free of voltage.
2. Remove Bypass (C), see fold-out page I.
3. Connect switch or push button with cable 47 868 000 (special accessorie) to the external interface (max. 16.4 ft [5m]).
4. Supply the entire system with voltage.

If the external interface is not used, the **bridging contact must** remain plugged in!

Pairing

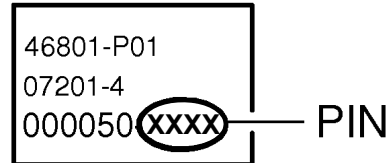
Pairing means the first coupling between two *Bluetooth*® devices. This requires a proper executed installation. For an already active *Bluetooth*® connection between a terminal device and the *Bluetooth*® adapter no pairing is possible.

1. Activate *Bluetooth*® on device.
2. Select **xxx Grohe SPA** from *Bluetooth*® list.

xxxx is the 4-digit number (PIN number) which will be displayed.

3. Enter PIN number and confirm.
4. Connection will established automatically.
5. The LED (A) on the adapter flashes 1x blue for a short time when connection is quite correct.

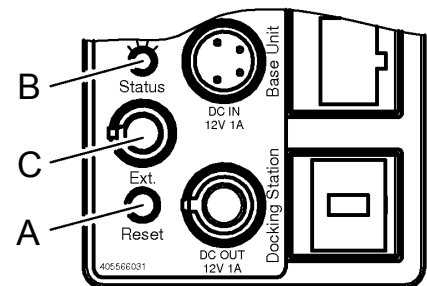
The PIN number is unique for each adapter and is additionally documented with a sticker on the backside. These are the last four digits of the serial number. **The PIN number can not be changed!**



When successfully paired, the PIN is no longer required when a new connection attempt. When connected and activated the App LED on the adapter lights up blue continuously. A maximum of 8 devices can be paired. When logging a 9th device the most rarely used one will be deleted from the list.

Operation of the reset button (A) and Visualization by status LED (B)

Function	Visualization
Operation takes place	LED lights permanently blue
Reboot of the adapter	LED lights up red for 3 sec.
Reset of the adapter	LED lights up red, off, red, blue, red
Ready for operation	LED off
Modul is supplied with voltage	LED lights up red for 1 sec.
Permanent press of button, or bridging contact removed	LED flashes red



Functions

Function	Description
Changing the device	Device will be logged out (connection closed/inactive). After 10sec. the new device can be logged in.
Prioritization of connections	It will be ensured that the operation can take place only with a single device at any time.
Visibility of the <i>Bluetooth</i> ® adapter	The <i>Bluetooth</i> ® adapter is always visible.
Reboot the <i>Bluetooth</i> ® adapter (Entire system turns off)	Press the button shortly (less than 3 sec.): - Connection will be interrupted - <i>Bluetooth</i> ® adapter reboots - System shuts down (Music, light (max. 60sec. delay), steam)
Reset of the <i>Bluetooth</i> ® adapter (Entire system turns off)	Press and hold the button (between 10 and 20sec.): - Connection will be interrupted - Pairing list will be cleared - <i>Bluetooth</i> ® adapter reboots - System shuts down (Music, light (max. 60sec. delay), steam)
Data transfer	As soon as a device is connected, the system can be operated using the Grohe App.
Audio stream	As soon as a device is connected, an audio stream can be sent to the system by the Grohe App.

Obstructions

For operation under adverse environments, in buildings / rooms with reinforced concrete walls, steel and iron frame, or near of obstructions (eg furniture) of metal, the Bluetooth reception can be disturbed and interrupted.

Radio Frequency reflective and absorbing

RF components using the same frequency band of 2.4GHz (eg wireless devices, phones, etc.) may affect the quality of reception (observe the manufacturer's documentation!).

Type of obstructions	Interference or shielding potential
Wood Synthetic material Glass	Low
Water Bricks Marble	Medium
Plaster Concrete Solid wood	High
Metal	Very high

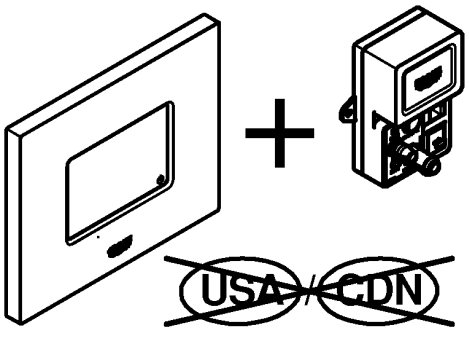
Fault	Cause	Remedy
Pairing not possible	<ul style="list-style-type: none"> PIN entry is not correct Another device is already connected No reception/connection interrupted Interferences in the reception area Obstacle in transmission path 	<ul style="list-style-type: none"> Check PIN on the <i>Bluetooth</i>[®] adaptor (sticker) Disconnect and perform pairing again Turn back the device to receiving range Turn off the source of interference (observe manufacturer's documentation) Remove from radio path
Connection not possible	<ul style="list-style-type: none"> Another device is already connected No reception/connection interrupted Interferences in the reception area Obstacle in transmission path 	<ul style="list-style-type: none"> Disconnect and perform pairing again Turn back the device to receiving range Turn off the source of interference (observe manufacturer's documentation) Remove from radio path
<i>Bluetooth</i>[®] adapter does not appear in <i>Bluetooth</i>[®] list of device	<ul style="list-style-type: none"> Device out of receiving range There is already a connection to a device <i>Bluetooth</i>[®] adapter not supplied with voltage Failure at <i>Bluetooth</i>[®] adapter 	<ul style="list-style-type: none"> Device back to receiving range Disconnect the device, then connect again Check the installation Start reboot
Interrupted while operating	<ul style="list-style-type: none"> Interferences in the reception area Obstacle in transmission path 	<ul style="list-style-type: none"> Turn off the source of interference (observe manufacturer's documentation) Remove from radio path
<i>Bluetooth</i>[®] adapter without function	<ul style="list-style-type: none"> Bypass removed without external interface connected 	<ul style="list-style-type: none"> Put in bridging contact (C), see fold-out page I.

Disposal instructions

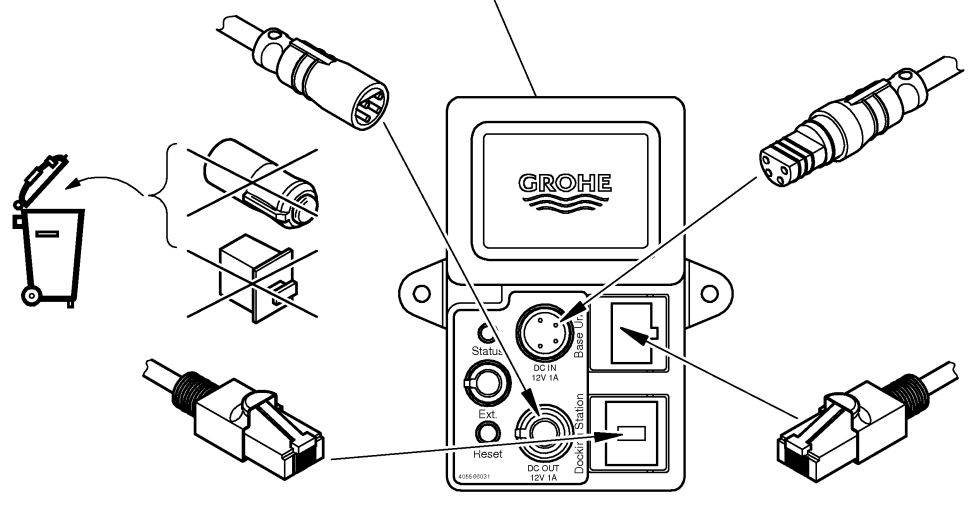
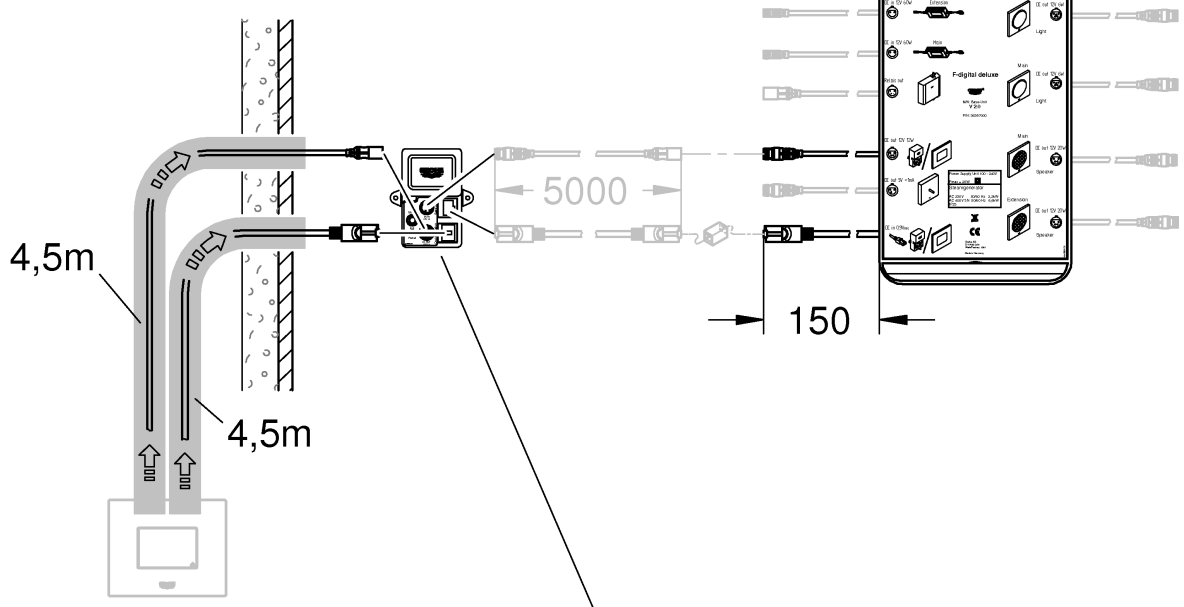


This category of device does **not** belong in the domestic waste, but **must** be disposed of separately in accordance with the relevant local national regulations.

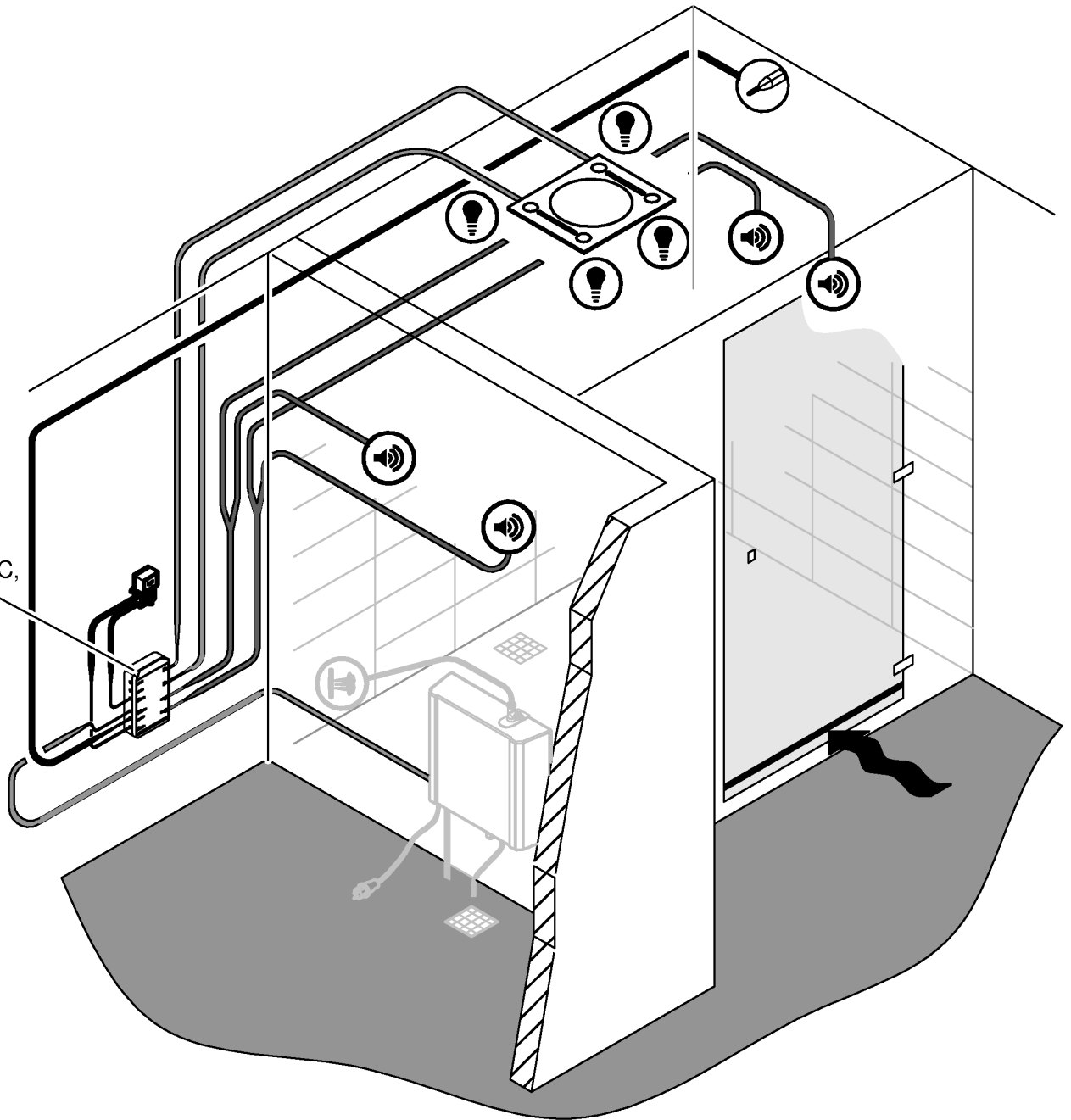
Dispose of batteries in accordance with national regulations.

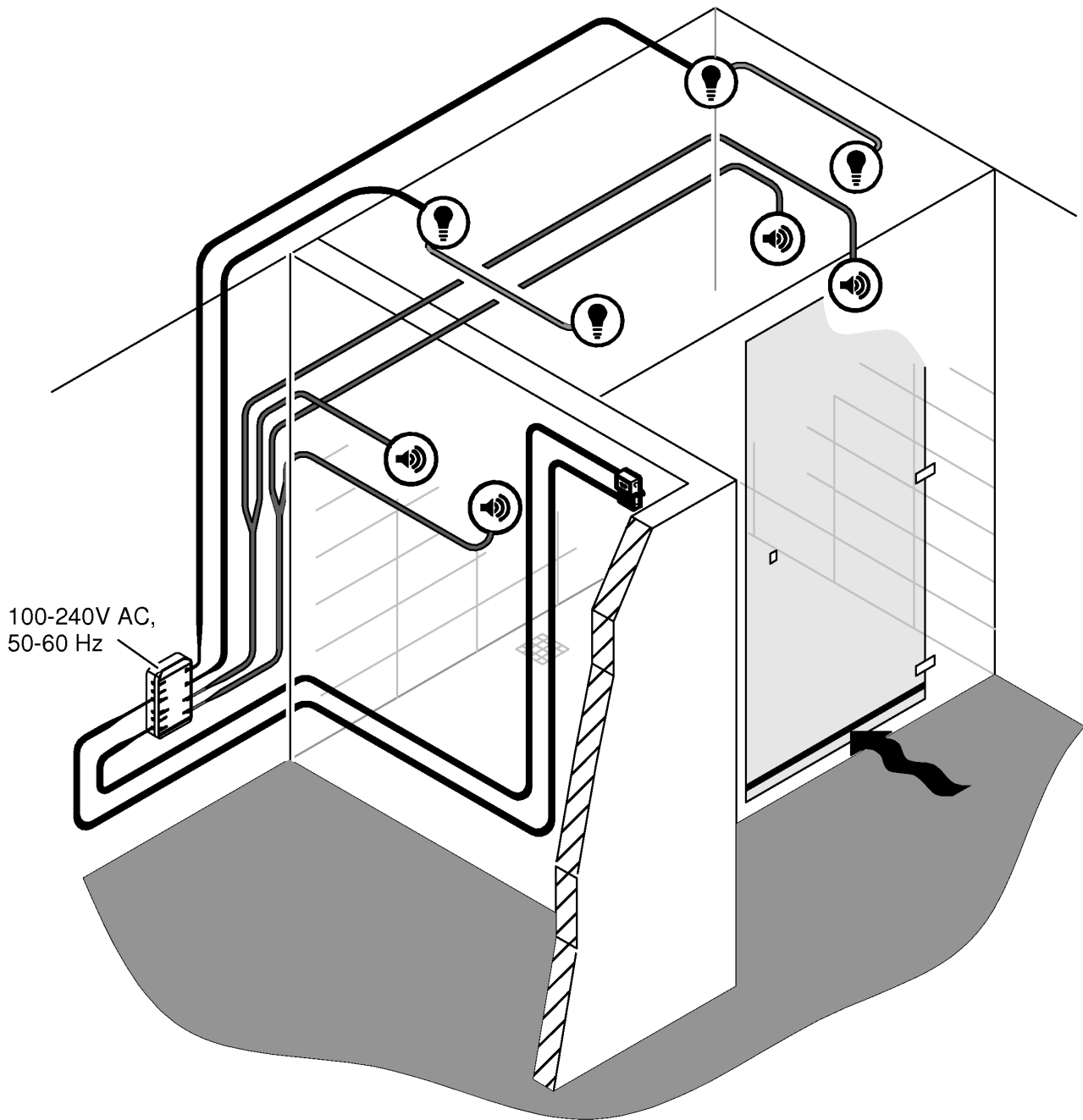


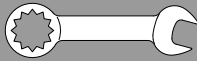
36 397  



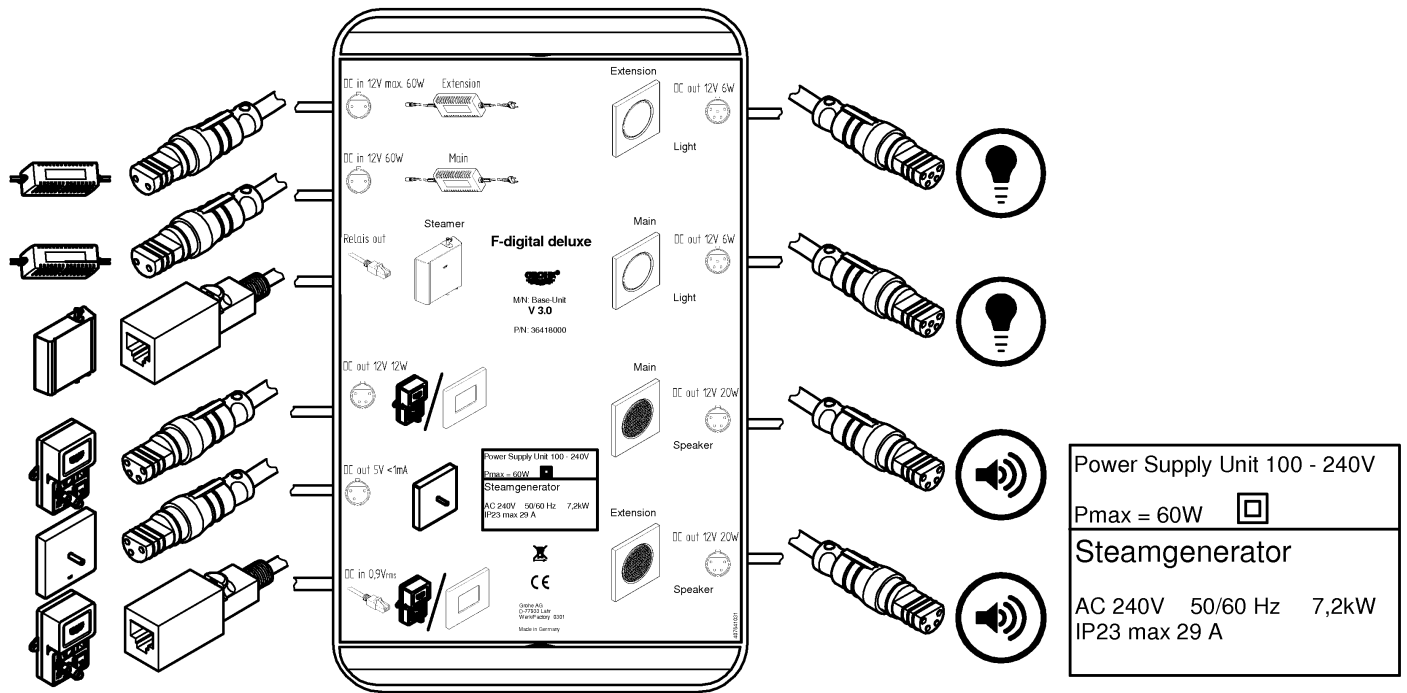
100-240V AC,
50-60 Hz



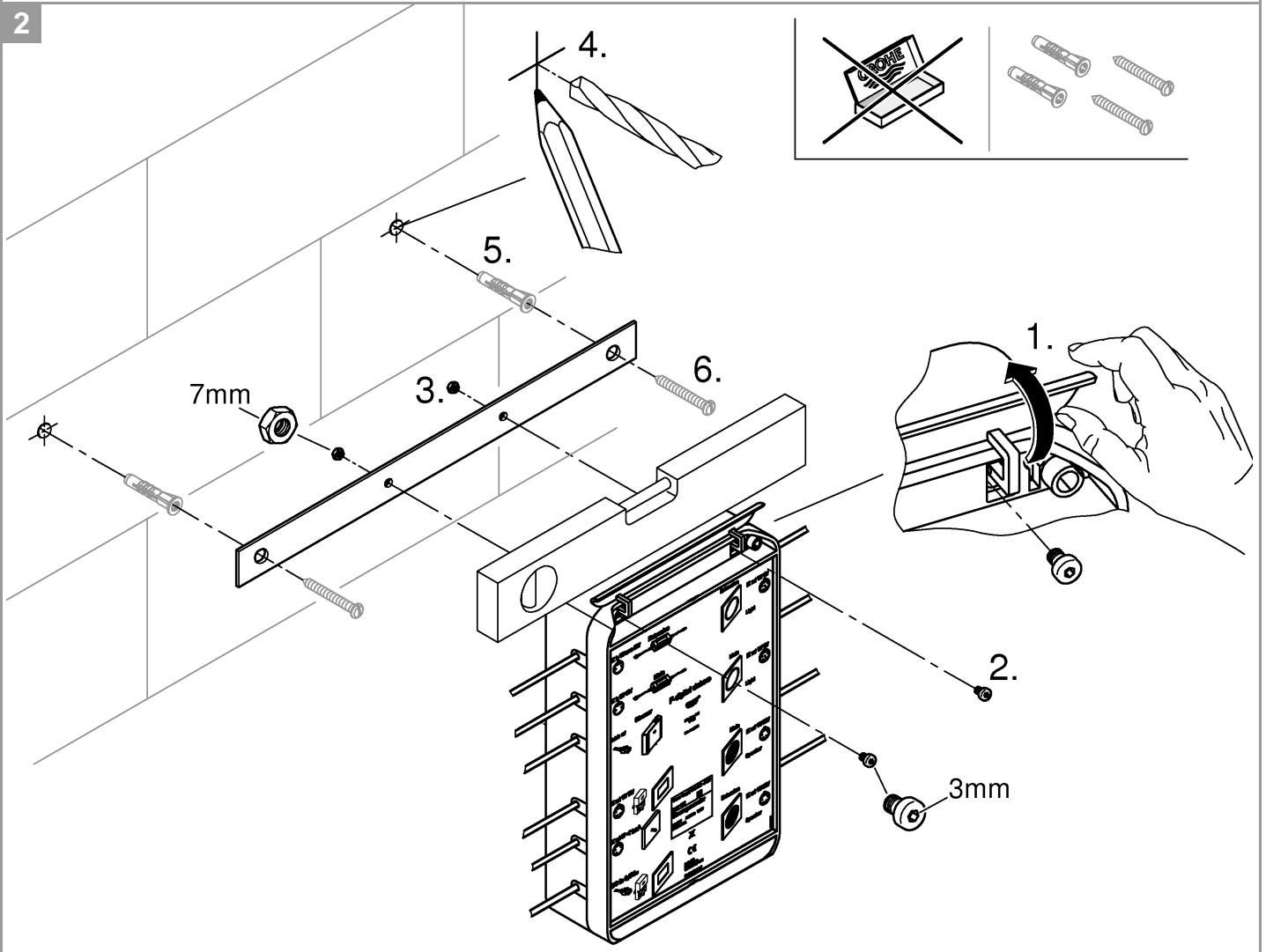


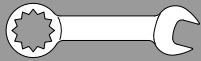


1

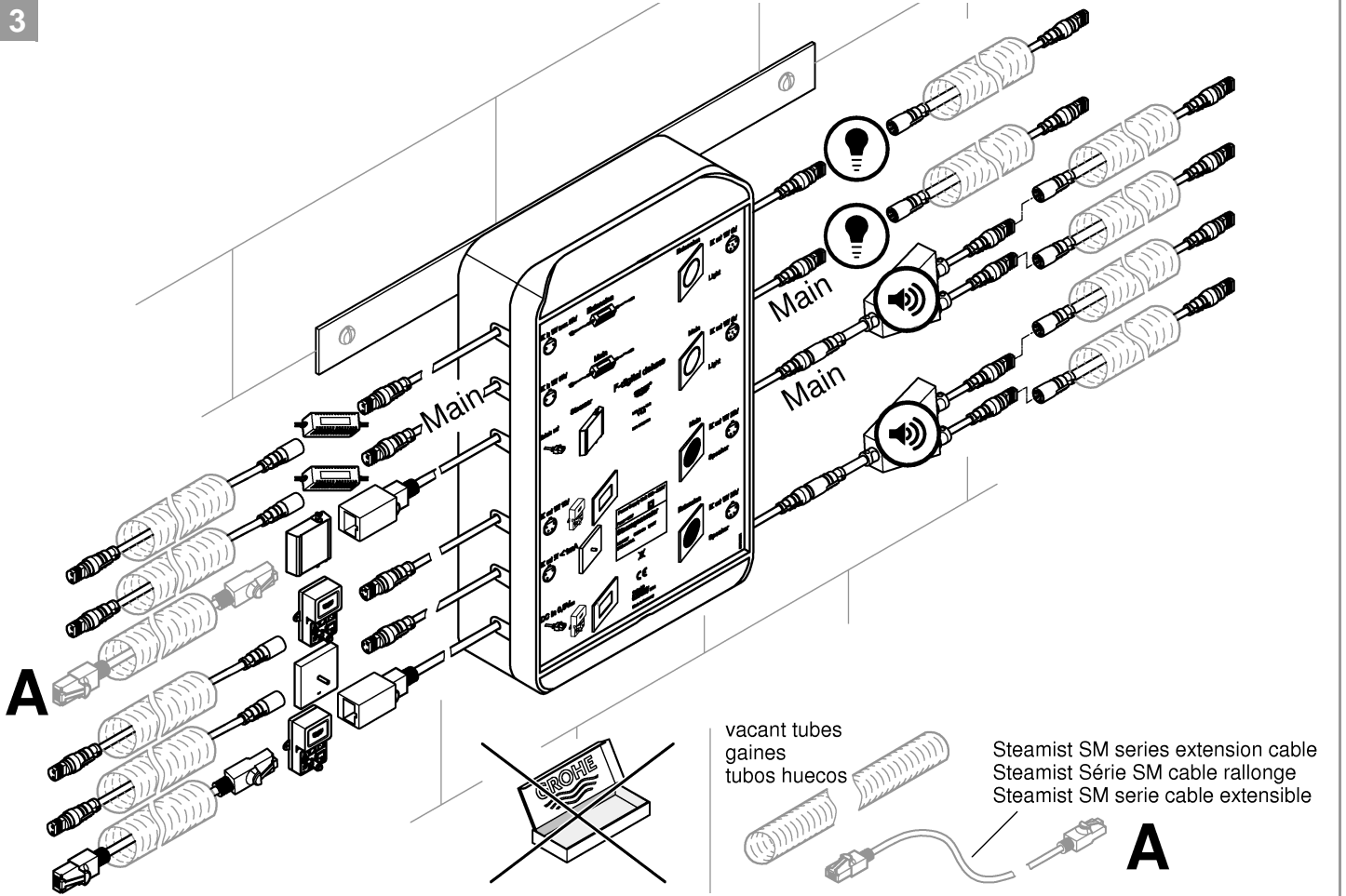


2

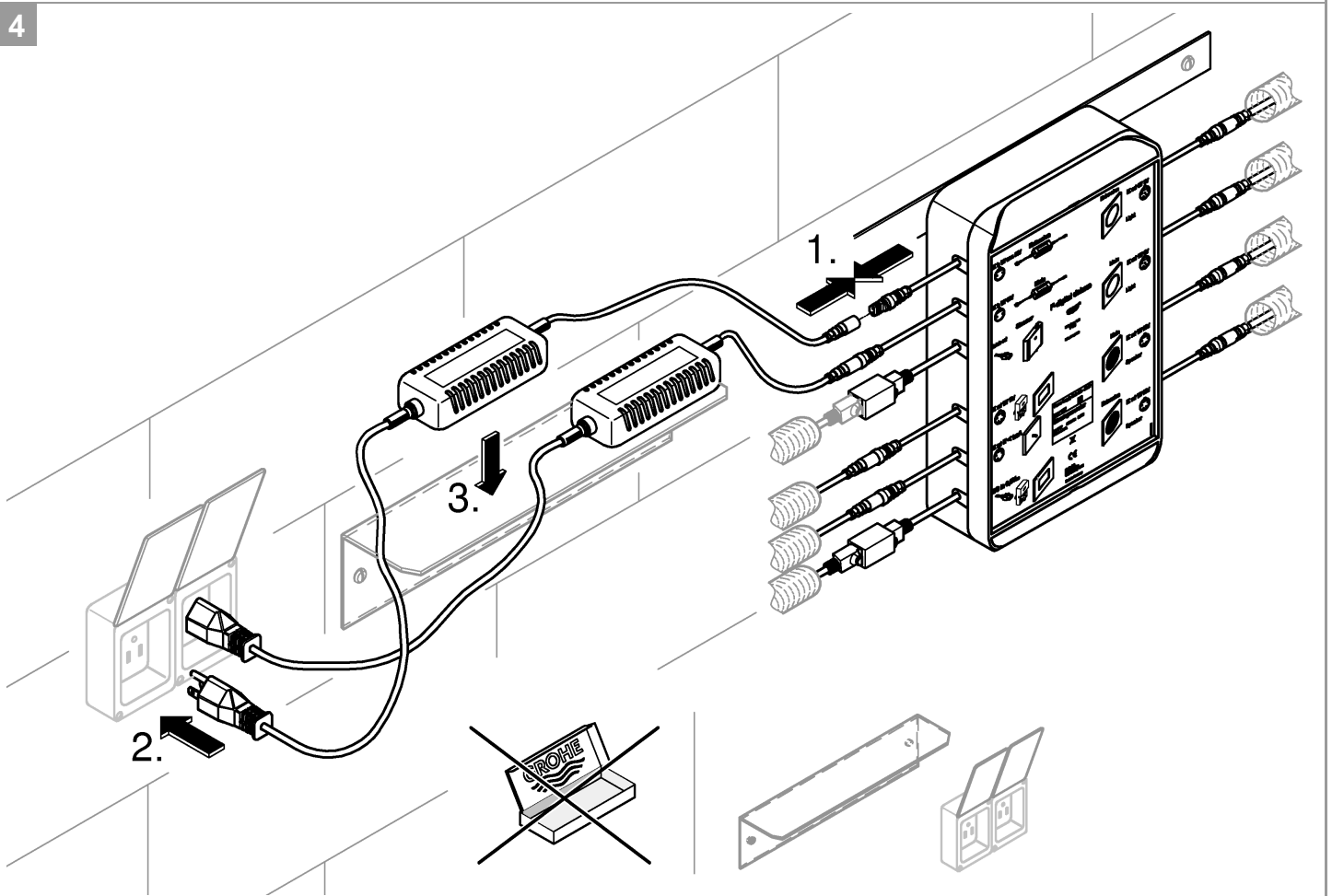




3



4



English

Note: Read the complete installation instructions prior to installation. They contain important information for safe and professional installation in combination with other modules. Make sure that the latest versions of the system software and the app, required for function, is installed on the mobile device.

Safety notes



- Avoid danger due to damaged connection cables. In the case of damage, the connection cable must be replaced by the manufacturer or its customer service department or an equally qualified person.
- Always switch off the power supply before performing any kind of work.
- The connectors must **not** be directly or indirectly sprayed with water when cleaning.
- The voltage supply must be separately switchable.
- The light remains lit for one minute after the *Bluetooth*[®]-connection to the mobile device is interrupted. All other functions are interrupted immediately.
- Children or adults with physical, mental and/or sensory limitations are not permitted to use the product unsupervised.
- Persons under the influence of alcohol or drugs are not permitted to use the product.

Applications/function

- Connection to the light, sound and steam modules. The control box is the central unit used to control the light, sound and steam modules via the app installed on the mobile device. The following components can be connected:
 - maximum of 4 lamps
 - maximum of 4 speakers
 - maximum of 2 power supply units (max. 4 consumer devices on each unit)
 - 1 *Bluetooth*[®] adapter
 - 1 steam generator (**Only Steamist SM series**)
 - 1 feeler gauge

Technical data

See type plate on Page 3, Fig. [1].

- Ambient temperature: 10 – 40 °C

Electrical test data

- Software class: A
- Contamination class: 1
- Rated surge voltage: 2500 V
- Temperature for ball impact test: 100 °C

The test for electromagnetic compatibility (interference emission test) was performed at the rated voltage and rated current.

Approval and conformity

The conformity declarations can be obtained from the following address:

GROHE Deutschland Vertriebs GmbH
Zur Porta 9
D-32457 Porta Westfalica

Installation instructions

- Installation is only possible in frost-free rooms.
- The maximum permissible distance between the *Bluetooth*[®] adapter and the control unit is 4,5 m (14.8 ft).
- The latest version of the app required for function must be installed on the mobile device first:

Apple:

- Access the App Store directly from the device (requires a wireless network connection and an Apple account).
- Access the iTunes Store via iTunes (requires iTunes to be installed on the computer and an Apple account).

- Via QR code



Android:

- Access the Google Play Store directly from the device (requires a wireless network connection and a Google account).
- Via www.play.google.com (requires a Google account).
- Via QR code



Additional instructions for using the app can be downloaded under www.grohe.com/tpi/f-digital-deluxe.

Installation

Refer to the dimensional drawings on the title page.

Installation diagram for all modules, see Page 1 and 2.

- Vacant tubes (EN21/EN25) must be used for the cables leading from the control unit to the modules, see Page 4, Fig. [3]. **Vacant tubes EN25 are only required for the docking station/*Bluetooth*[®] adapter.**
- All cables must be pulled through using a pulling device to avoid damage.
- If there are more than four bends in a vacant tube, the cables must be pulled through the tube prior to installation.

Control unit, see Page 3 and 4, Fig. [1] to [4].

1. Screw control box on the wall, see Page 3 Fig. [2].
2. Make slots for the vacant tubes, see Page 4, Fig. [3].
3. Pull through the vacant tubes (EN21/EN25), see Fig. [3]. **Vacant tubes EN25 are only required for the *Bluetooth*[®] adapter.**
4. Pull through the cables as shown in Fig. [3] and [4] and plaster the wall, making sure that the cable ends are the correct ones.

Electrical installation

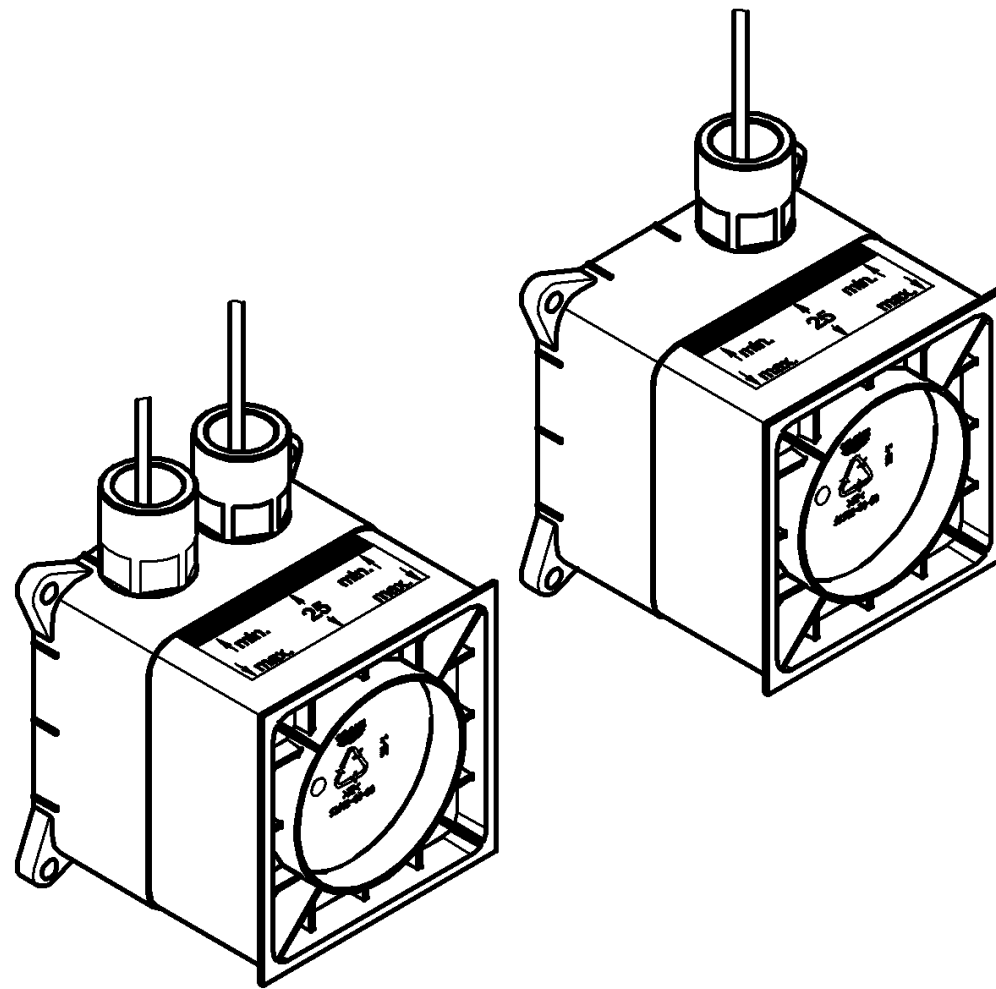


This product must be installed in accordance with the applicable installation code by a person familiar with the construction and operation of the product and the hazards involved!

5. Establish all connections. **Observe the type plate!** Make sure that speakers are always connected to the control box in pairs using a Y-cable. A maximum of four speakers can be used. When using two speakers, the Y-cable must be connected to the "Main" output on the control box, see type plate on Page 3, Fig. [1].
Important: Establish the connection between the control unit and power supply unit(s) last of all. When using one power supply unit only, the cable must be connected to the "Main" output on the control box, see type plate on Page 3, Fig. [1].
6. Connect voltage supply via mains plug, see Page 4, Fig. [4].
If there are more than four consumer devices, two sockets must be provided. These sockets are **not included in the delivery specification.**

Refer to the relevant product information for a description on the installation and function of individual modules.

29 072



F-digital deluxe

F-digital deluxe

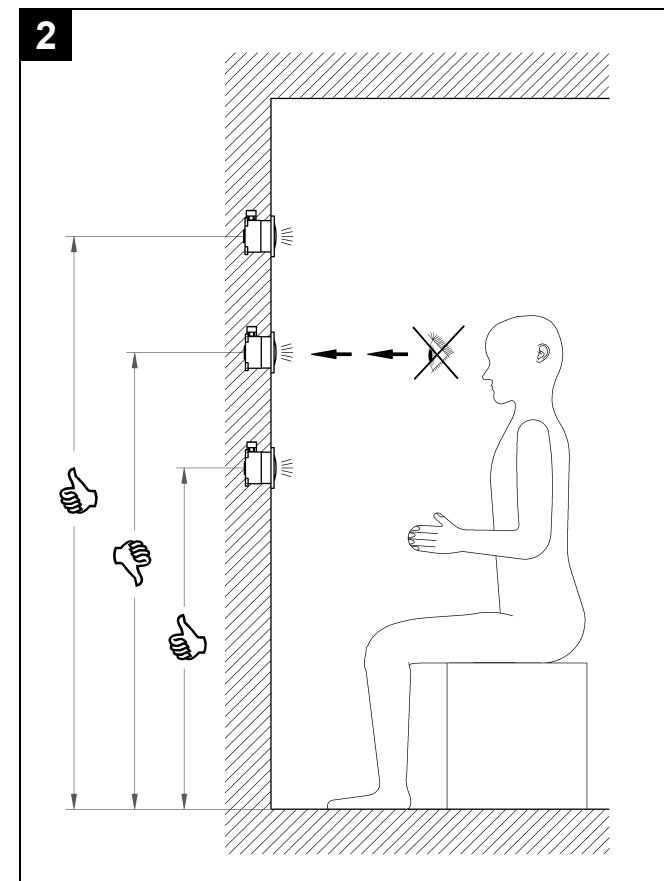
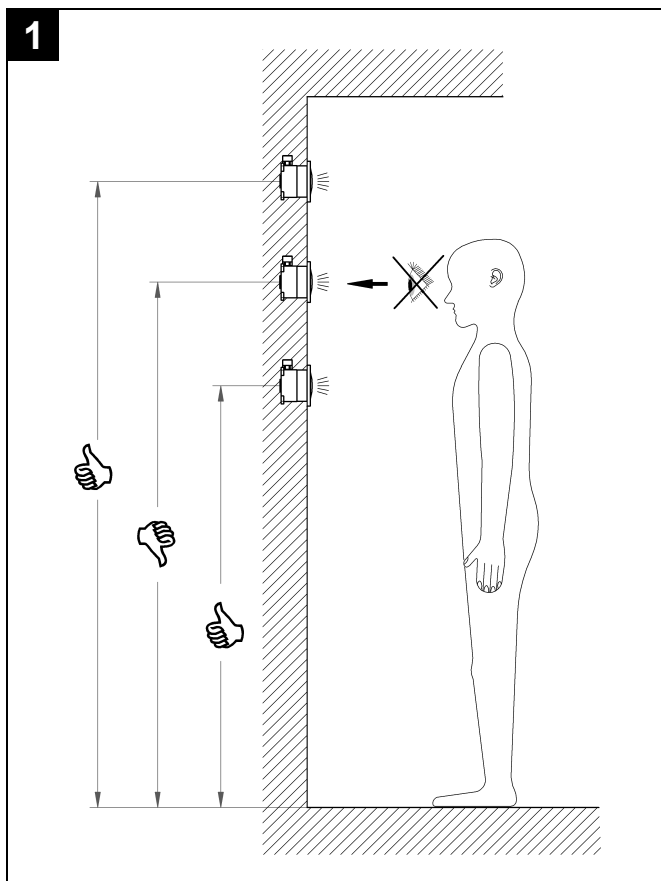
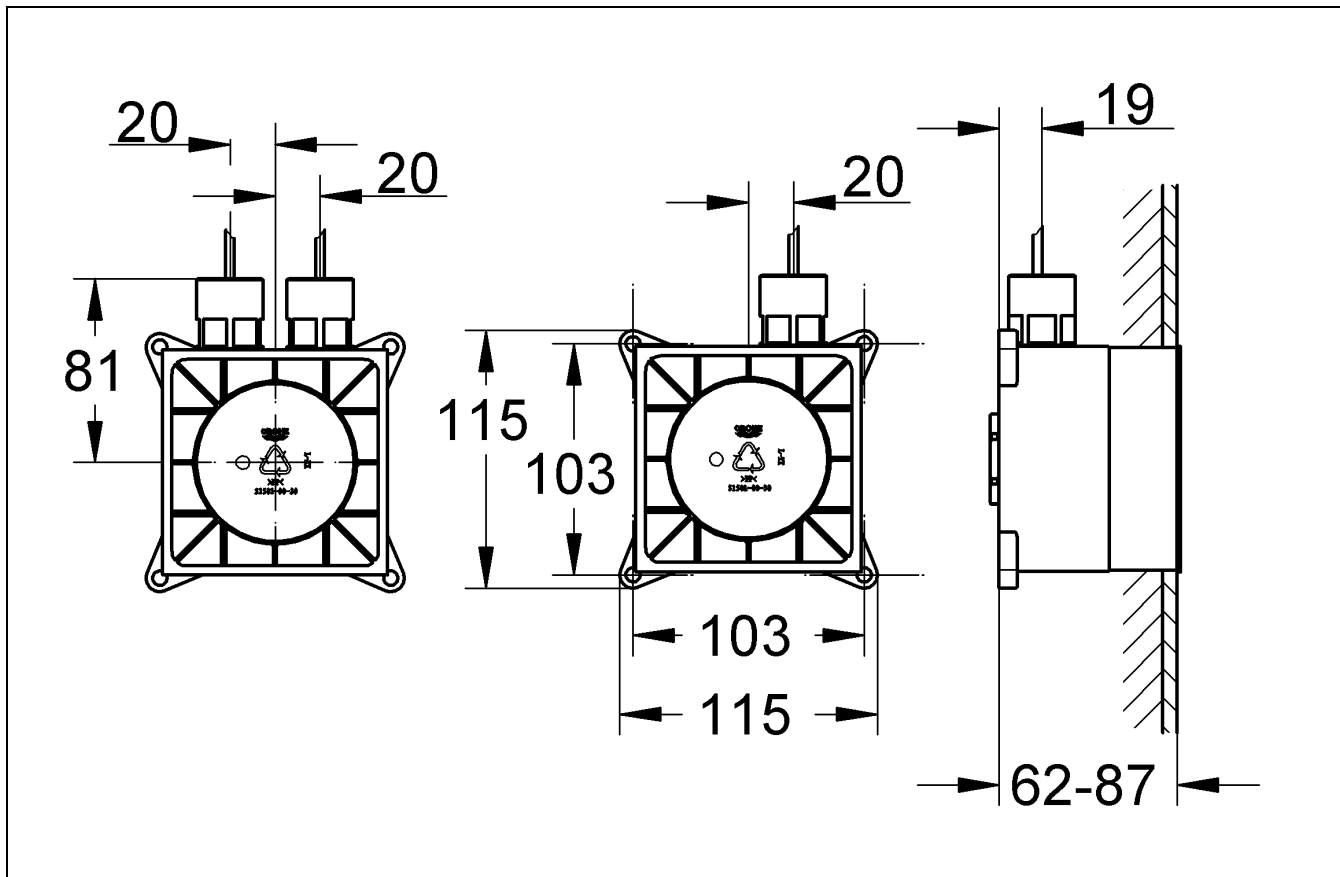
D1	I2	N3	GR5	TR6	BG7	RO9
GB1	NL2	FIN4	CZ5	SK6	EST8	CN9
F1	S3	PL4	H5	SLO7	LV8	UA9
E2	DK3	UAE4	P6	HR7	LT8	RUS10

Design + Engineering GROHE Germany

93.937.031/ÄM 223219/01.13

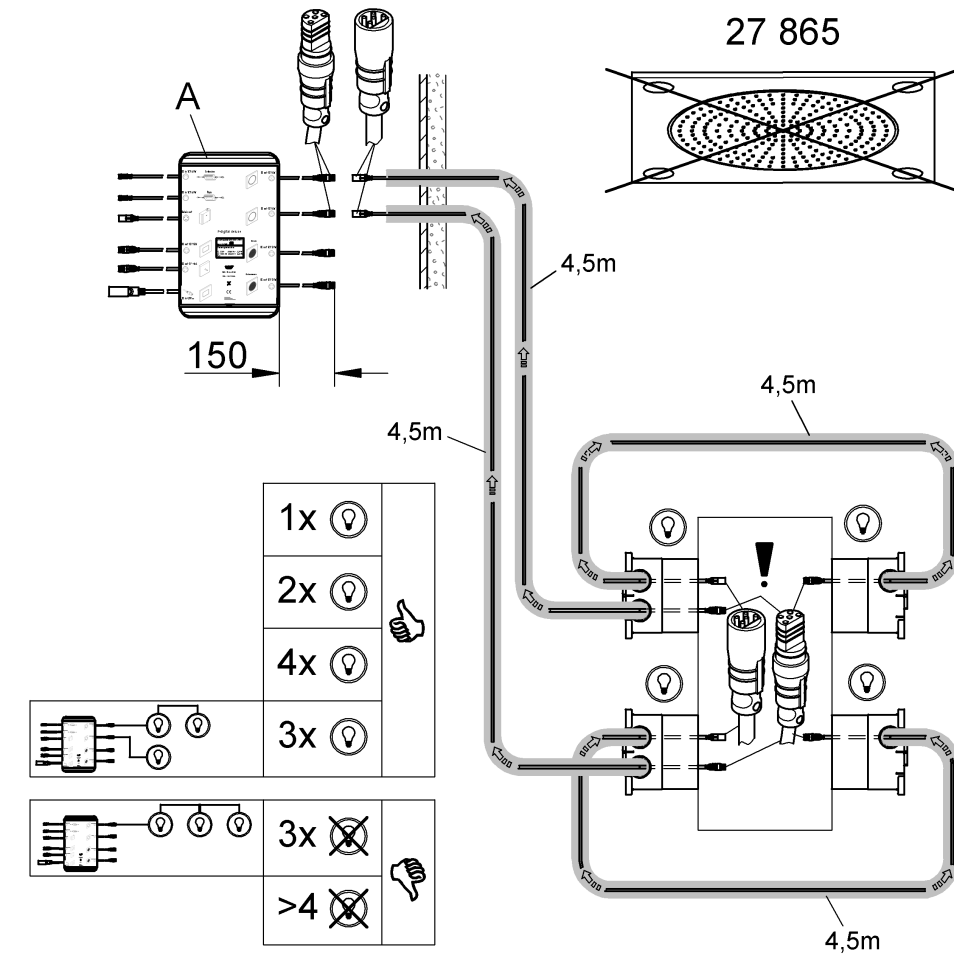
GROHE

ENJOY WATER®

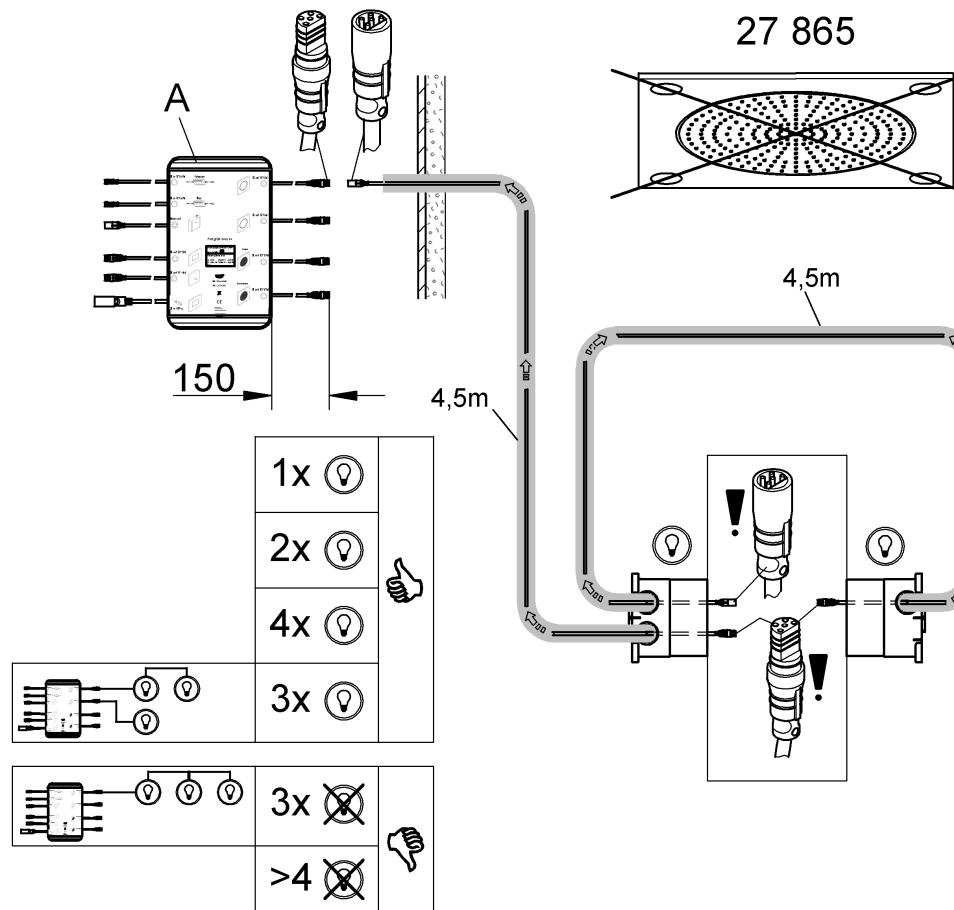


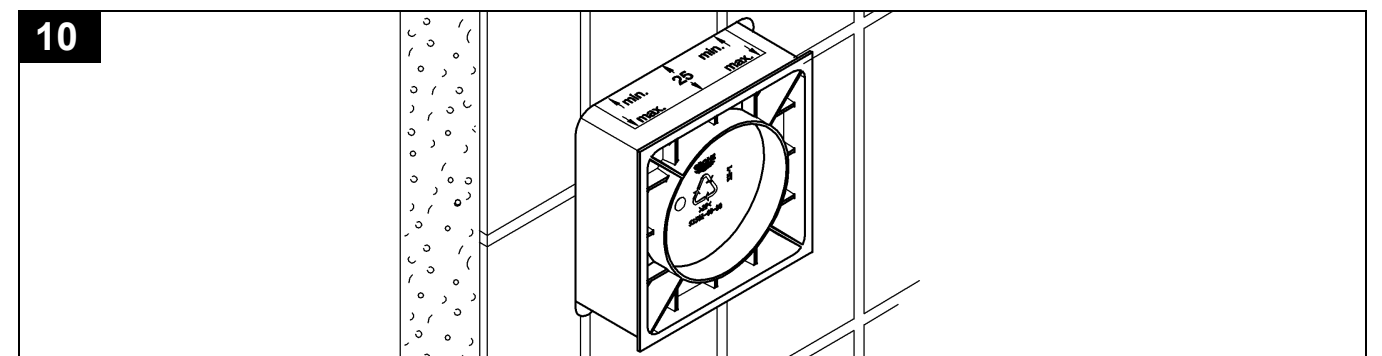
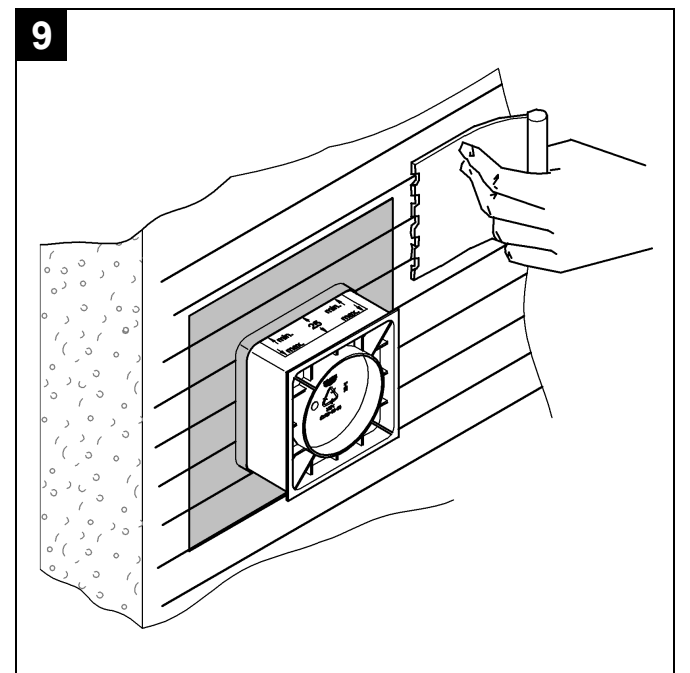
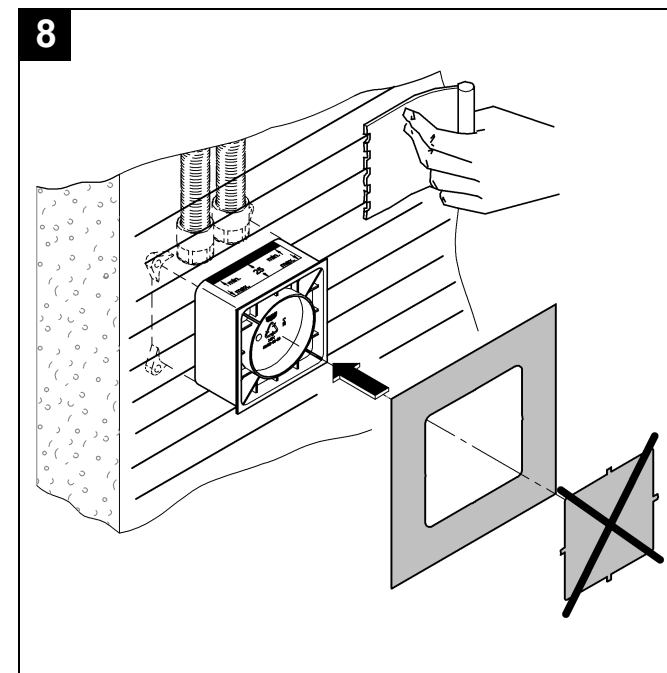
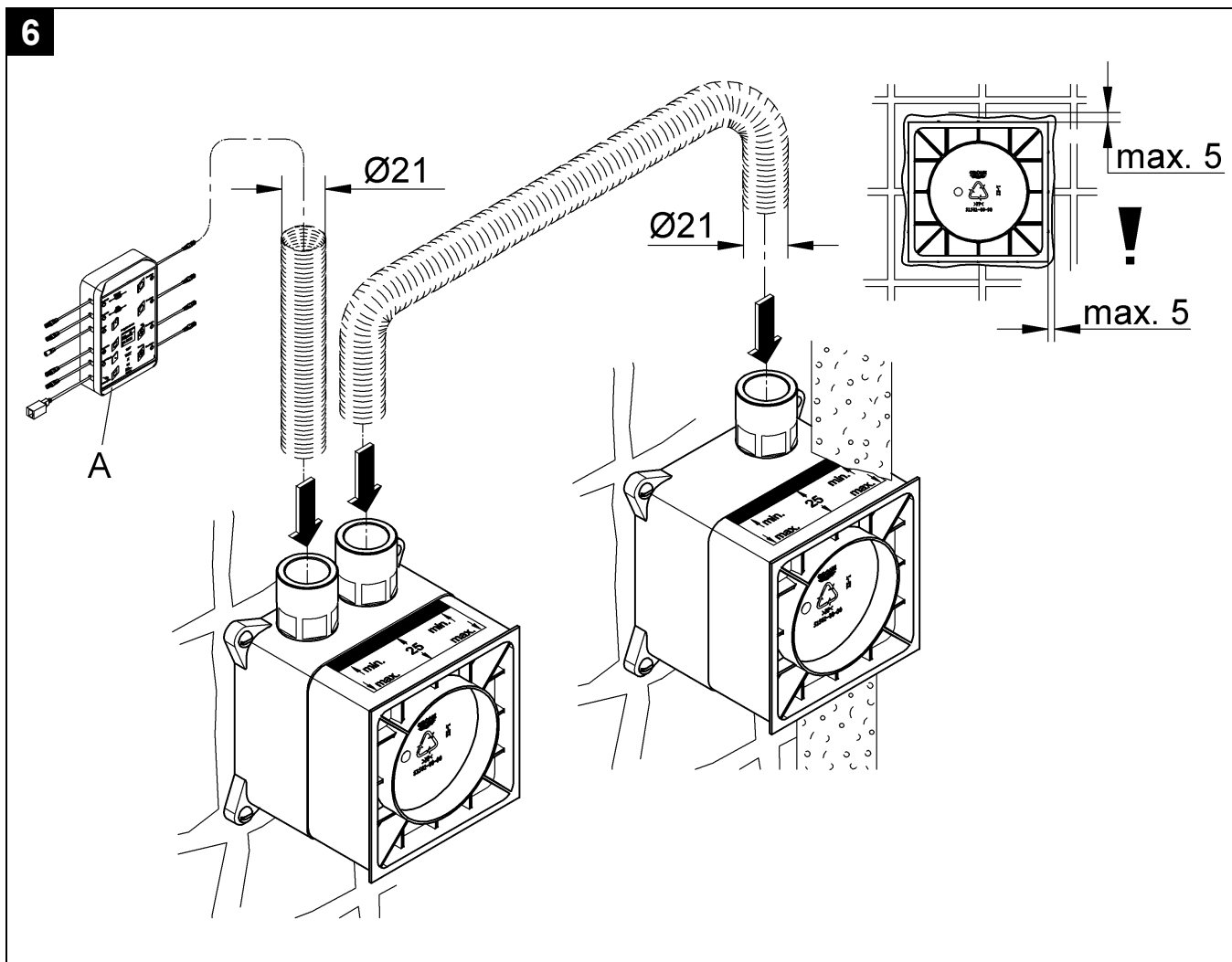
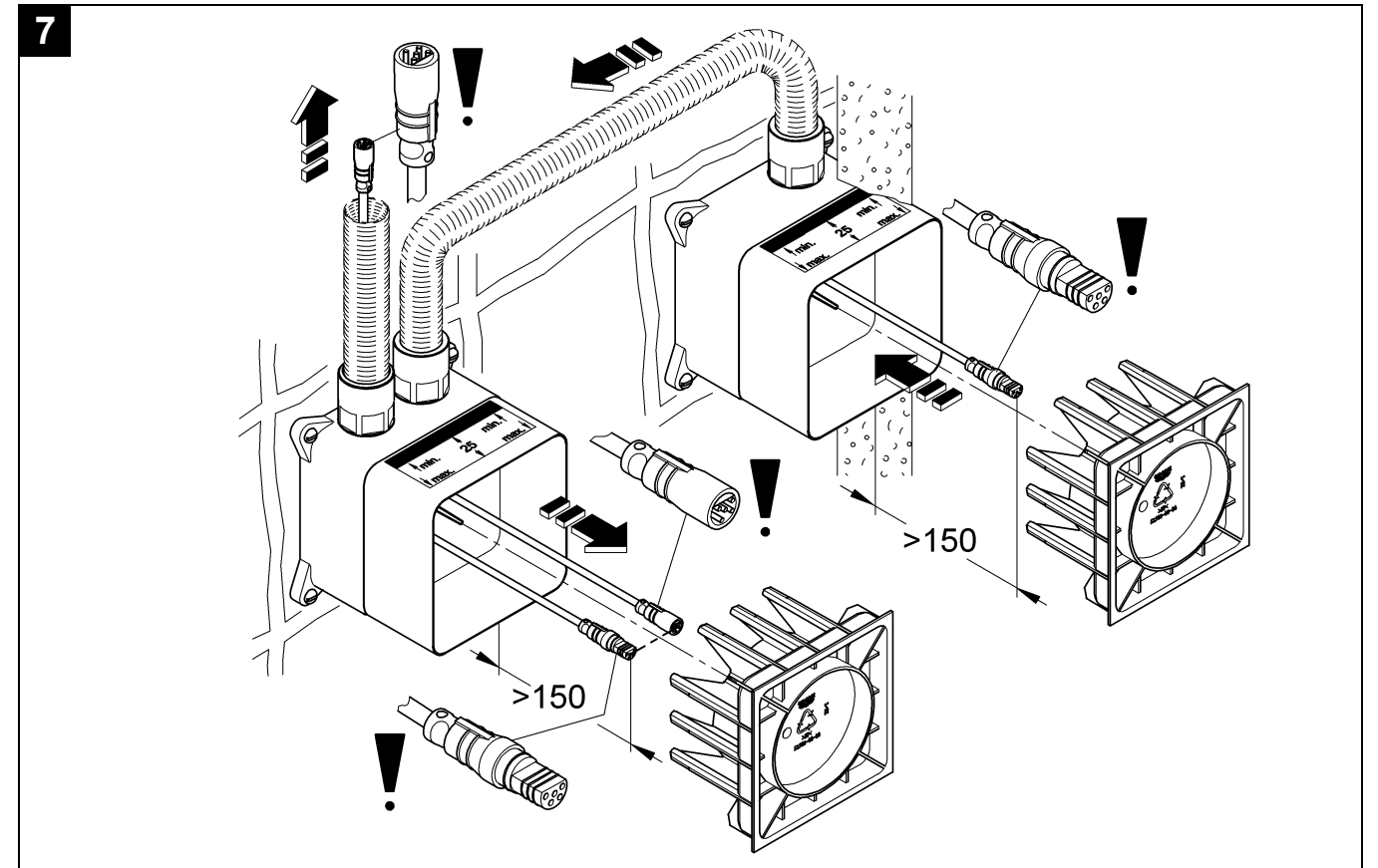
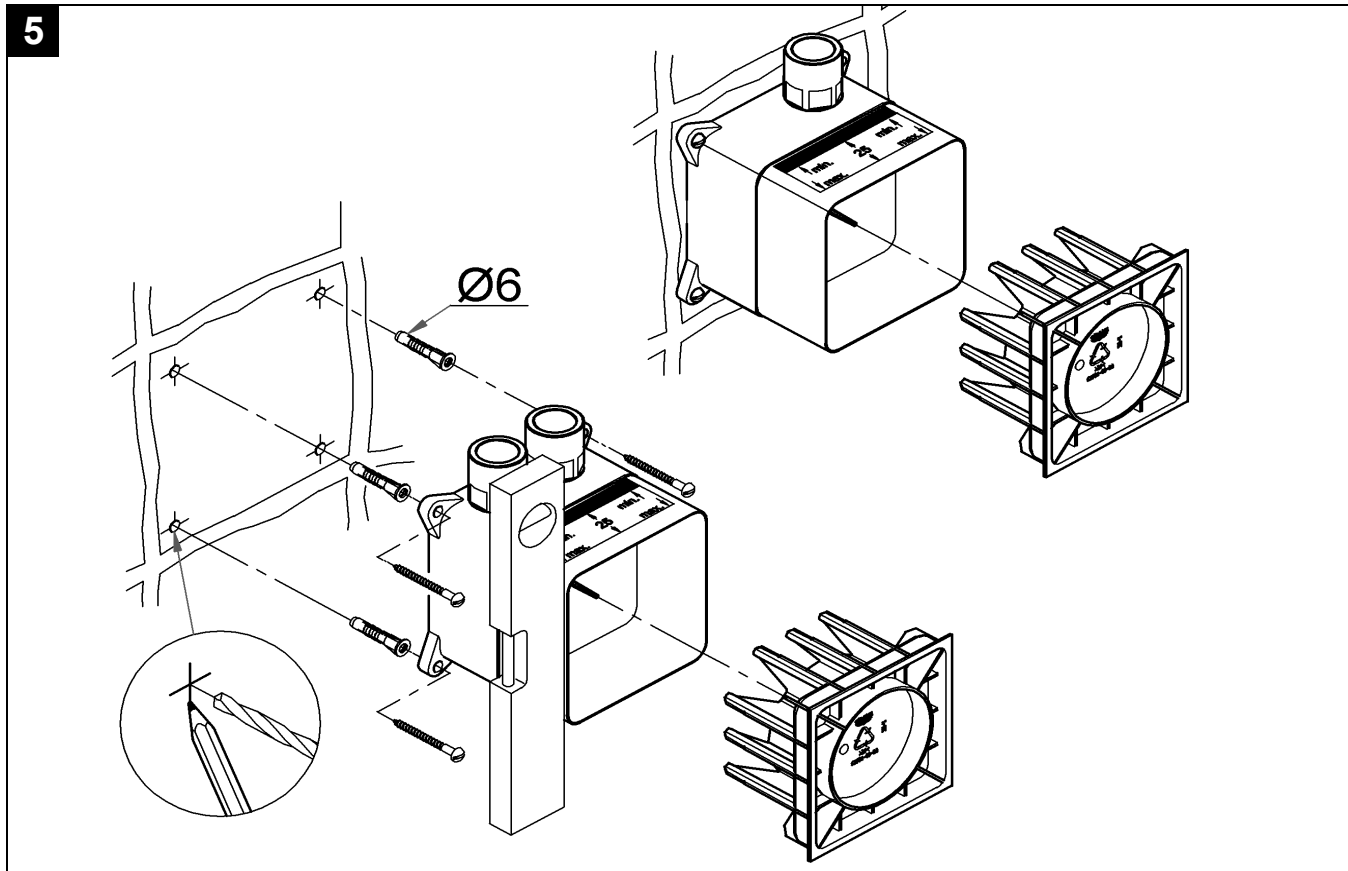
Bitte diese Anleitung an den Benutzer der Armatur weitergeben!
 Please pass these instructions on to the end user of the fitting.
 S.v.p remettre cette instruction à l'utilisateur de la robinetterie!

3



4





D

Hinweis: Vor der Installation Montageanleitung der Steuereinheit (A) lesen. Diese enthält wichtige Informationen für die sichere und fachgerechte Installation in Verbindung mit weiteren Modulen.

Elektroinstallation



Die Elektroinstallation darf nur von einem Elektro-Fachinstallateur vorgenommen werden! Dabei sind die Vorschriften nach

IEC 60364-7-701 (entspr. VDE 0100 Teil 701) sowie alle nationalen und örtlichen Vorschriften zu beachten!

Installation

Vorbereitung, siehe Klappseite I, Abb. [1] bis [4].

- **Bei Einbau dieser Leuchten kann die Deckenbrause mit integrierten Leuchten (27 865) nicht verwendet werden.**
- Für die Kabel von der Steuereinheit zum Wandeinbaukasten müssen Leerrohre EN21 verwendet werden, siehe Abb. [4]. Die Leerrohre sind **nicht im Lieferumfang** enthalten.
- Um Beschädigungen zu vermeiden, müssen sämtliche

Kabel unter Verwendung einer Kabeleinzughilfe eingezogen werden.

- Bei mehr als vier Leerrohrbiegungen müssen die Kabel vor der Installation durch die Leerrohre gezogen werden.
- Das beiliegende 5m Kabel ist für Leerrohre bis zu 4,5m geeignet. Für Leerrohre bis zu 9,5m kann das Sonderzubehör 47 867 **einmalig je Zuleitung** verwendet werden.
- Für die Verkabelung der Leuchten untereinander muss für Leerrohre bis zu 1m **einmalig je Zuleitung** das Sonderzubehör 47 910 (1,6m) verwendet werden.
- Löcher für Unterputzkasten sowie Schlitz für die Leerrohre erstellen.

Einbau und Anschluss, siehe Klappseite II, Abb. [5] bis [10]. Maßzeichnung auf Klappseite I beachten.

Wand fertig verputzen und verfliesen, siehe Abb. [10].

- Die fertige Wandoberfläche muss im Bereich min./max. der Einbauschablone liegen.

Einbauschablone **nicht** vor der Fertiginstallation kürzen.

GB

Note: Read the installation instructions for the control unit (A) prior to installation. They contain important information for safe and professional installation in combination with other modules.

Electrical installation



Electrical installation work must only be performed by a qualified electrician. This work must be carried out in accordance with the regulations according to IEC 60364-7-701 (corresponding to VDE 0100 Part 701) as well as all national and local regulations.

Installation

Preparation, see fold-out page I, Figs. [1] to [4].

- **These lights cannot be used in combination with the ceiling shower with integrated lights (27 865).**
- Vacant tubes EN21 must be used for the cables from the control unit to the wall-mounting box, see Fig. [4]. These vacant tubes are **not included in the delivery**

specification.

- All cables must be pulled through using a pulling device to avoid damage.
- If there are more than four bends in a vacant tube, the cables must be pulled through the tube prior to installation.
- The enclosed 5 m cable is suitable for vacant tubes up to 4.5m. The special accessory 47 867 (5m) can be used **once per supply line** for vacant tubes up to 9.5m.
- For wiring the lights together, the special accessory 47 910 (1.6m) must be used **once per supply line** for vacant tubes up to 1m.
- Prepare the holes for the concealed box and the slots for the vacant tubes.

Fitting and connection, see fold-out page II, Figs. [5] to [10]. Refer to the dimensional drawing on fold-out page I.

Plaster and tile the wall, see Fig. [10].

- The finished wall surface must lie within the min./max. area of the fitting template.

Do **not** cut the fitting template prior to final installation.

F

Remarque: Avant l'installation, lire les instructions de montage de l'unité de commande (A). Elles contiennent des informations importantes pour l'installation sûre et conforme en combinaison avec d'autres modules.

Montage électrique



Le montage électrique doit impérativement être réalisé par un électricien! Ce faisant, les prescriptions des normes CEI 60364-7-701 (VDE 0100 partie 701) et toutes les prescriptions nationales et locales doivent être respectées!

Installation

Préparation, voir volet I, fig. [1] à [4].

- **En cas de montage de ces lumières, la douchette de plafond à lumières intégrées (27 865) ne peut pas être utilisée.**
- Pour les câbles allant de l'unité de commande au caisson pour montage mural, des gaines EN21 doivent être utilisées, voir fig. [4]. Les gaines ne sont **pas incluses dans la livraison.**

- Pour éviter les dommages, tous les câbles doivent être tirés à l'aide d'un tire-câble
- En présence de plus de quatre flexions des gaines, les câbles doivent être tirés dans les gaines avant l'installation.
- Le câble de 5m fourni est adapté aux gaines d'une longueur maximale de 4,5m. Pour les gaines jusqu'à 9,5m de longueur, l'accessoire spécial 47 867 (5m) peut être utilisé **une fois par conduite d'amenée.**
- Pour le câblage des lumières entre elles, utiliser l'accessoire spécial 47 910 (1,6m) **une fois par conduite d'amenée** pour les gaines jusqu'à 1m de longueur.
- Préparer des trous pour le caisson encastré et des fentes pour les gaines.

Montage et raccordement, voir volet II, fig. [5] à [10].

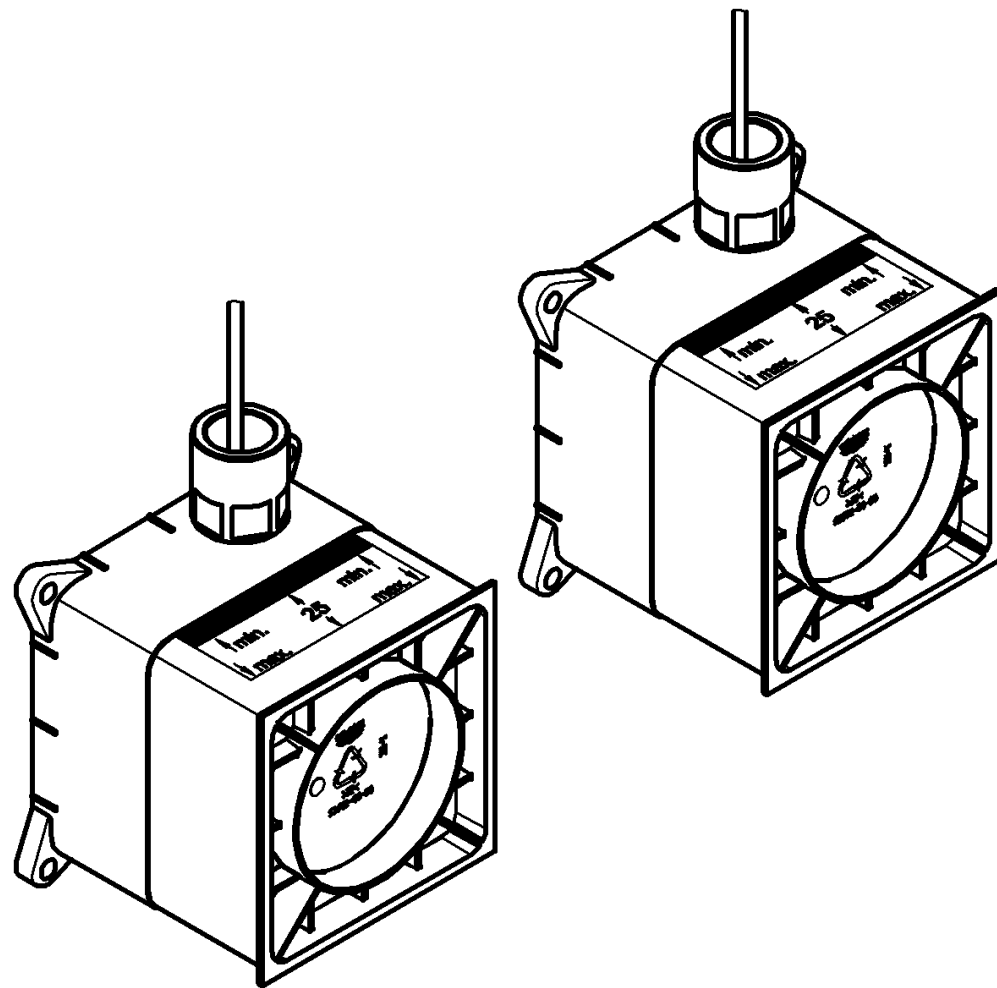
Tenir compte de la cote du schéma sur le volet I.

Enduire complètement le mur et le carreler, voir fig. [10].

- La surface de paroi prête doit se trouver au niveau min./max. du gabarit de montage.

Le gabarit de montage ne doit **pas** être raccourci avant la fin de l'installation.

29 073



F-digital deluxe

F-digital deluxe

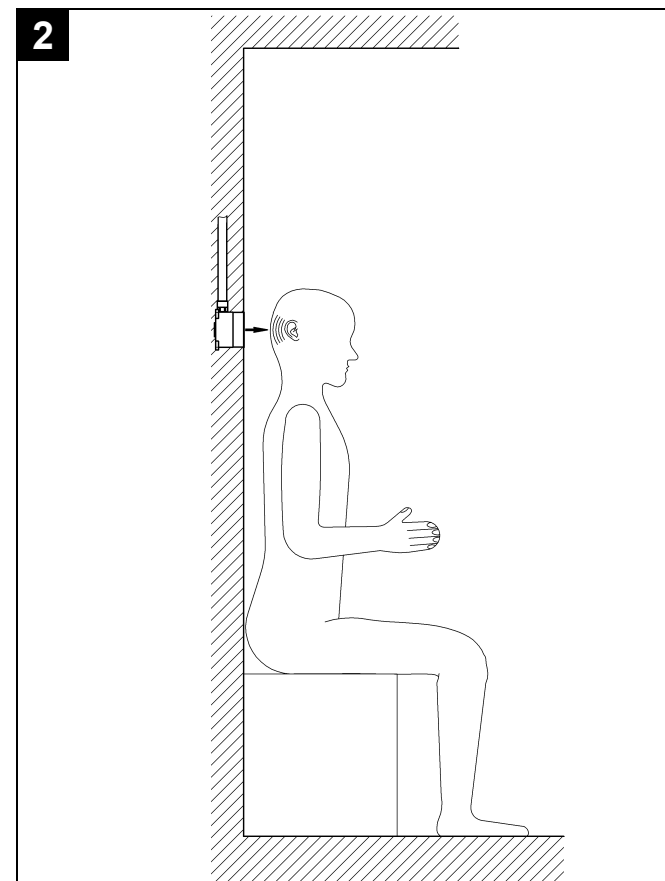
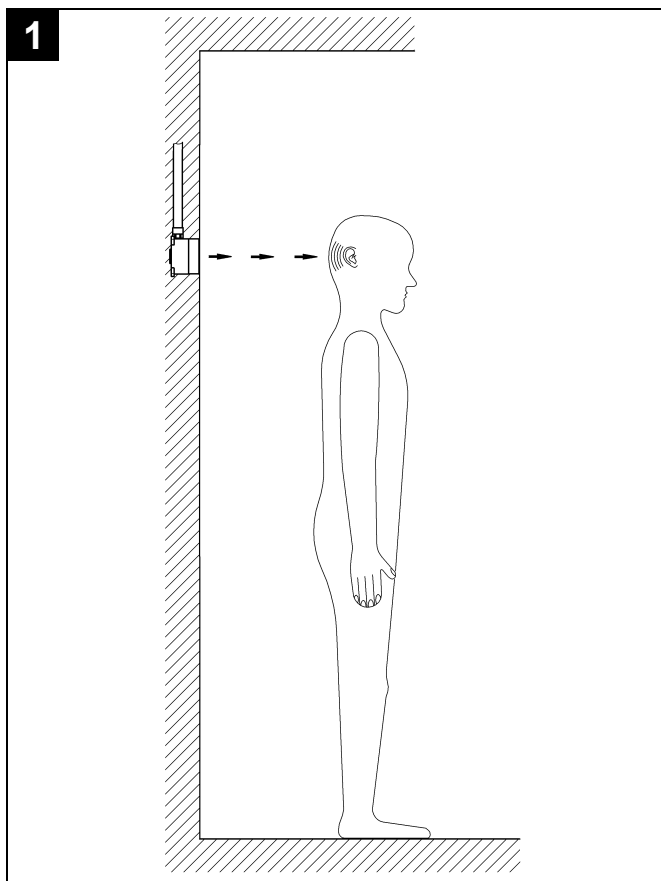
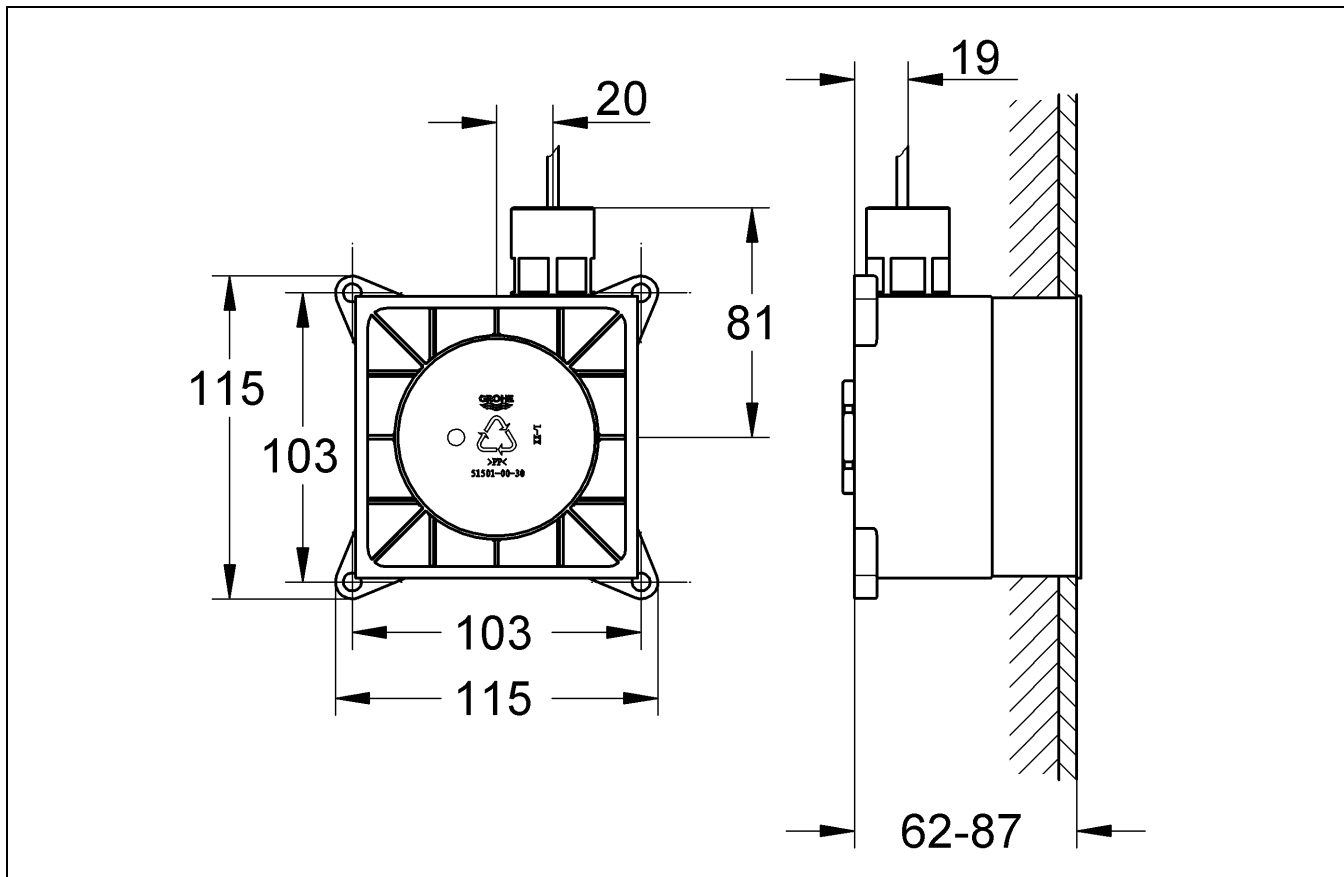
D1	I2	N3	GR5	TR6	BG7	RO9
GB1	NL2	FIN4	CZ5	SK6	EST8	CN9
F1	S3	PL4	H5	SLO7	LV8	UA9
E2	DK3	UAE4	P6	HR7	LT8	RUS10

Design + Engineering GROHE Germany

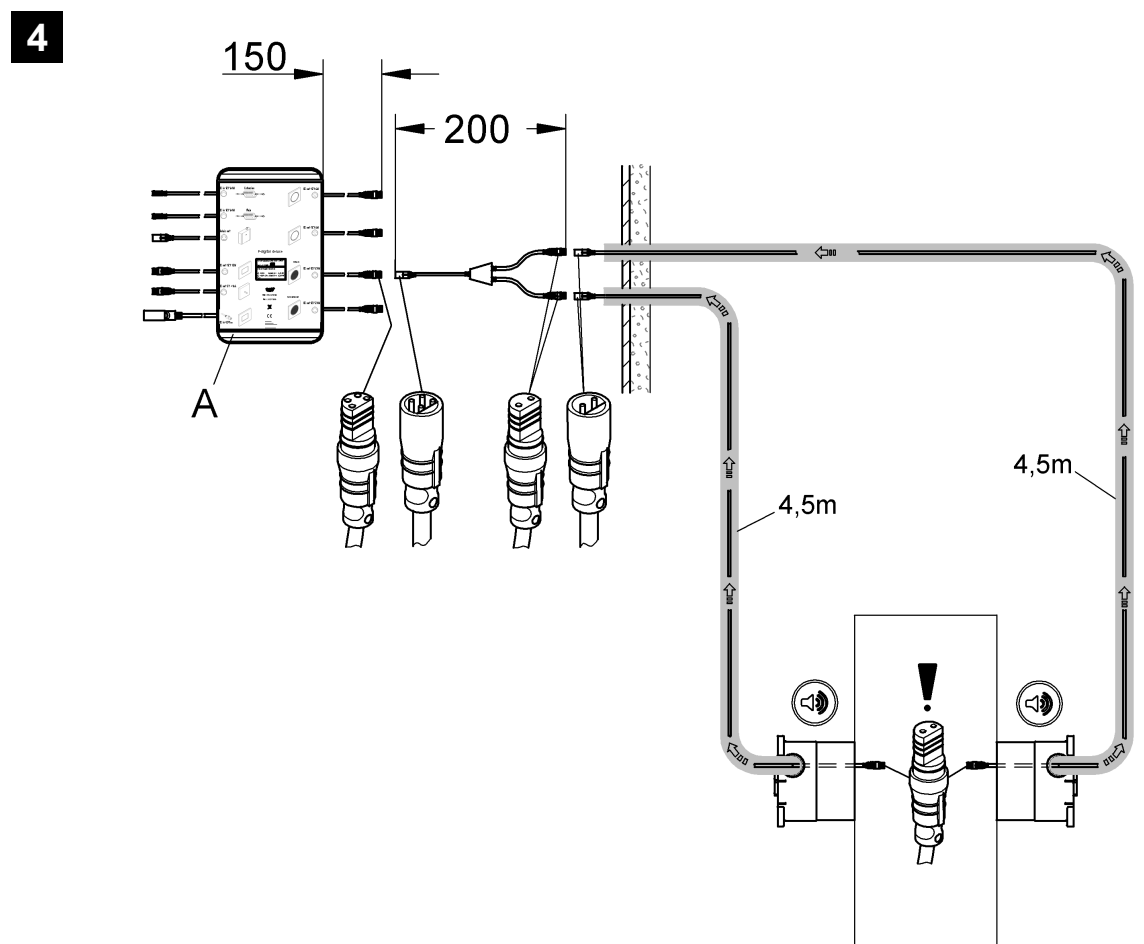
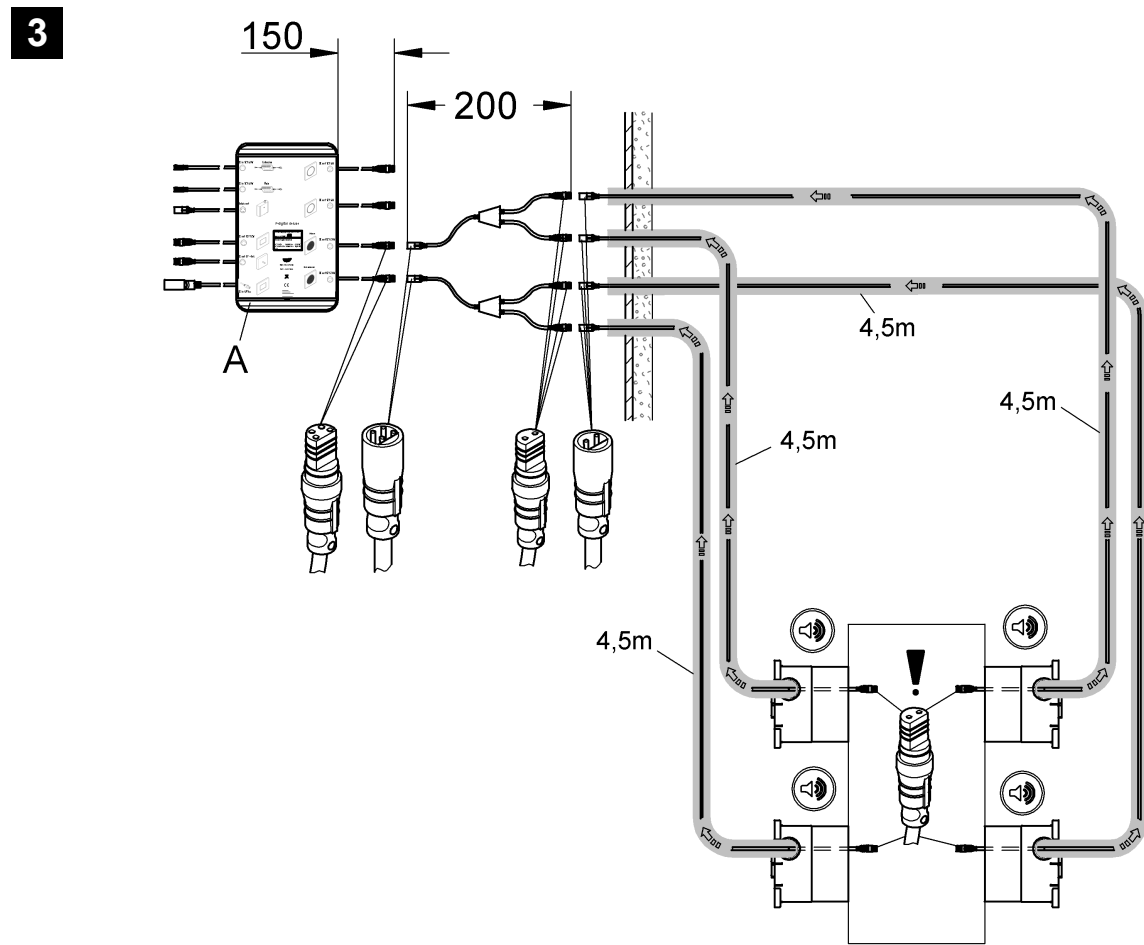
93.939.031/ÄM 223218/01.13

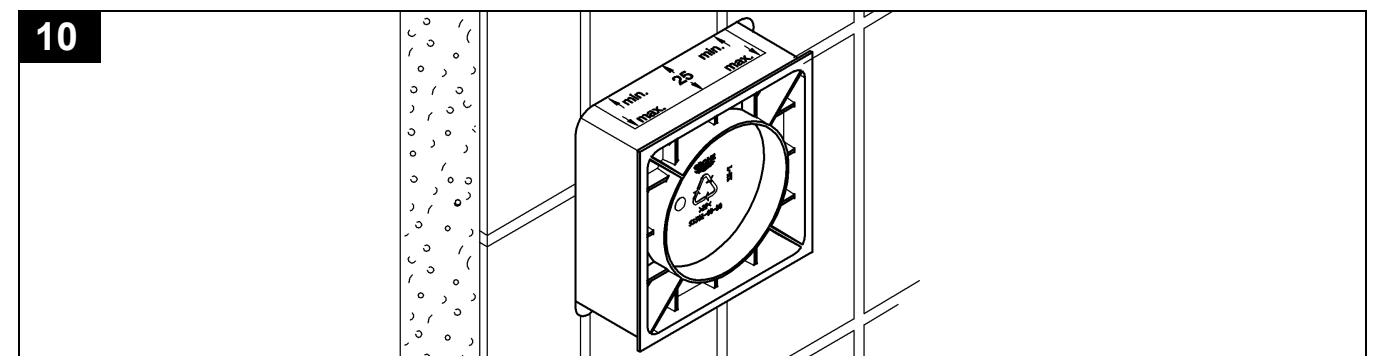
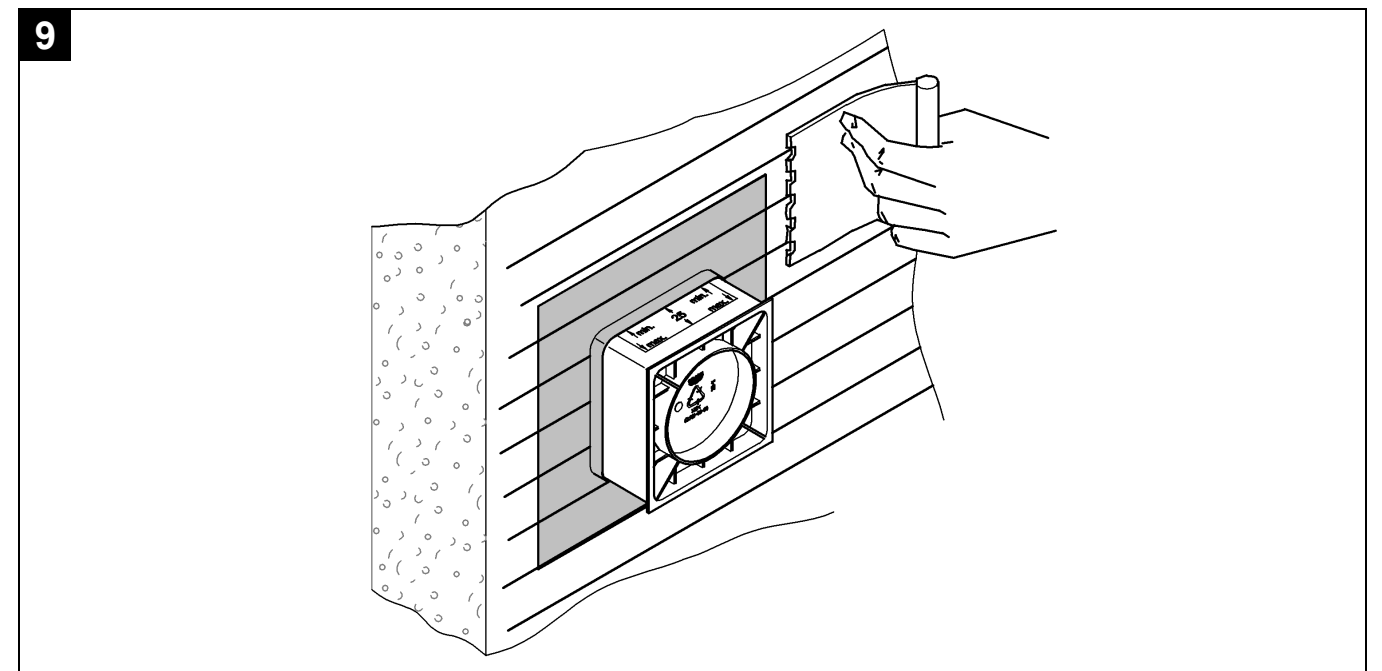
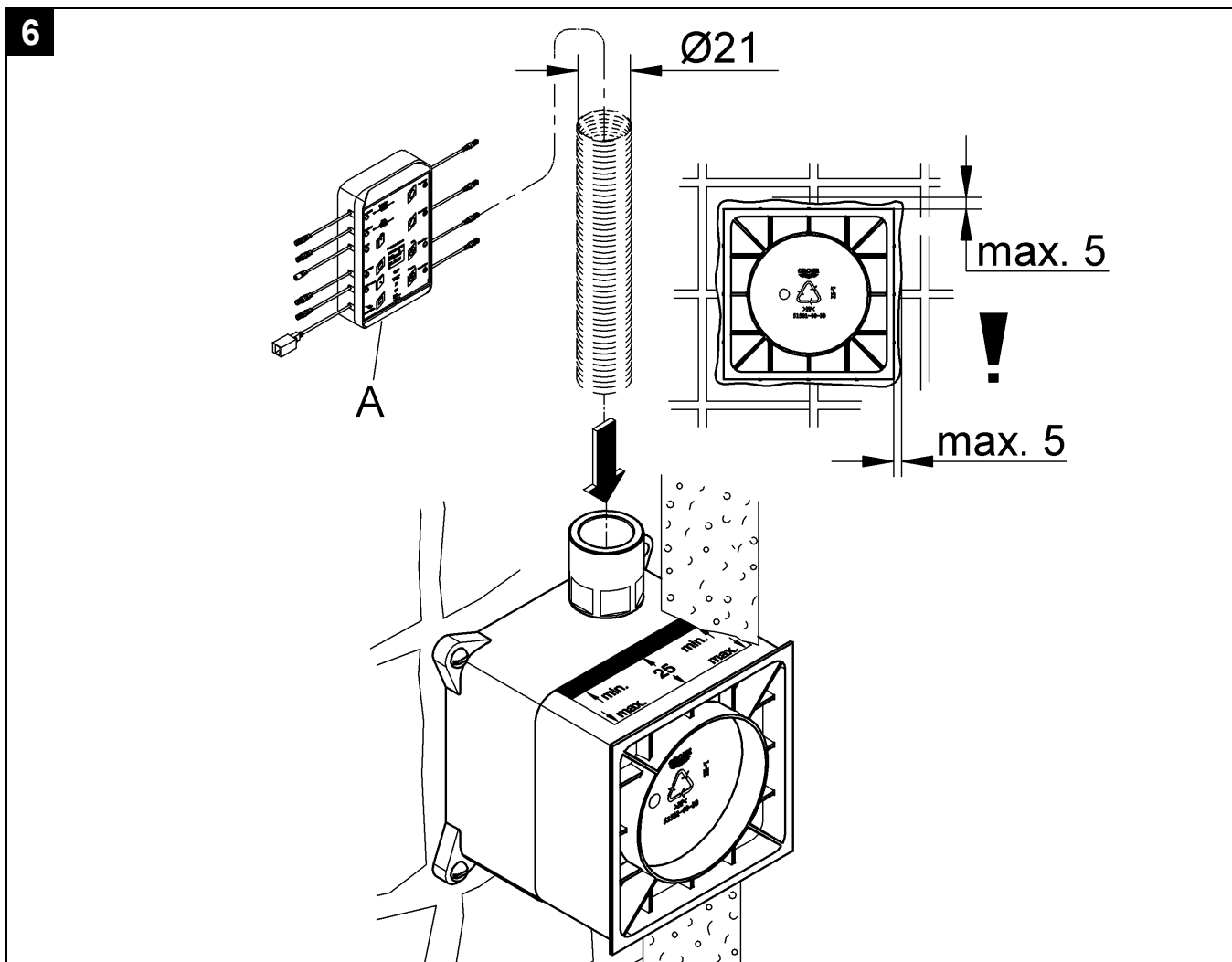
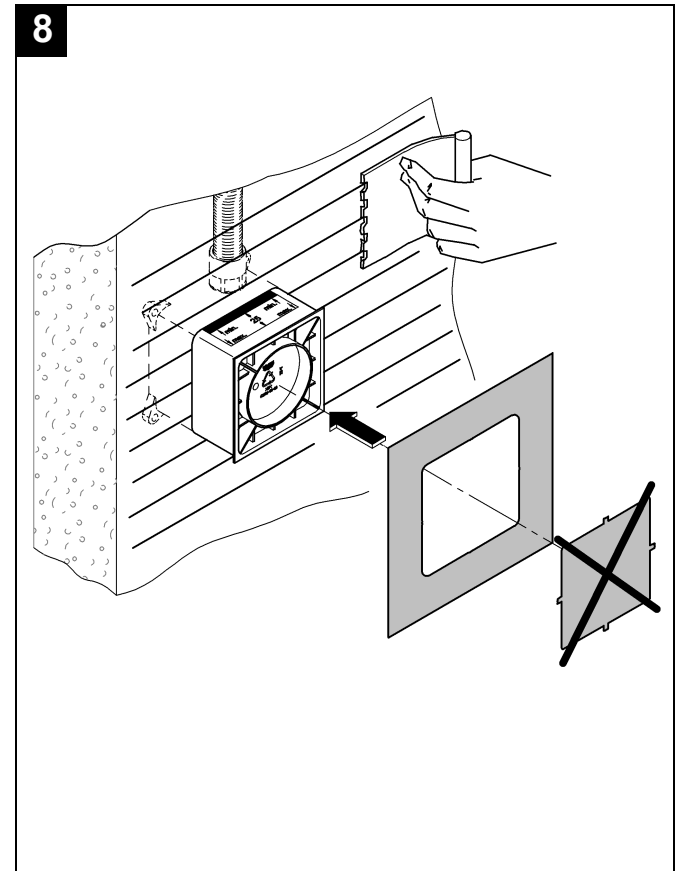
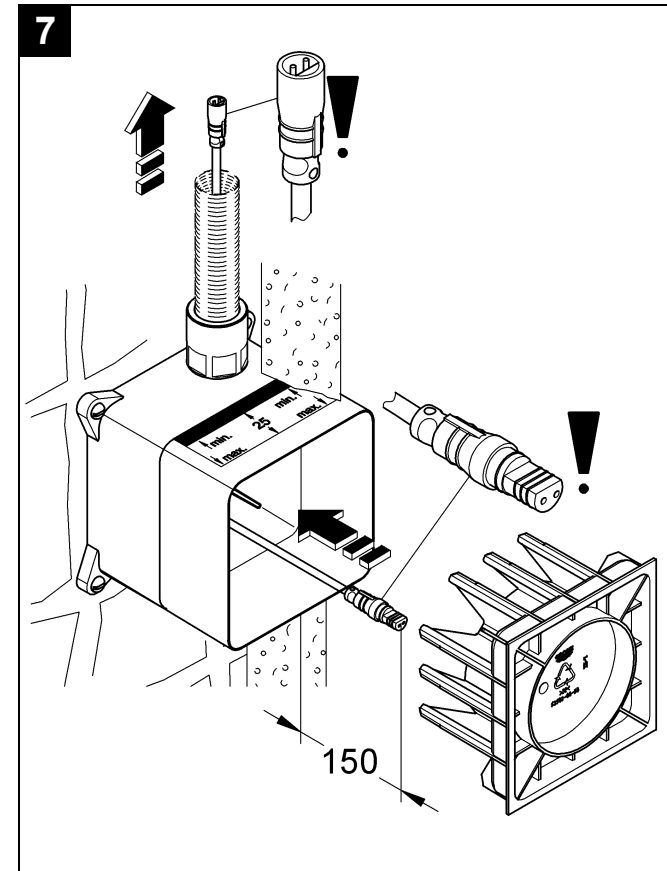
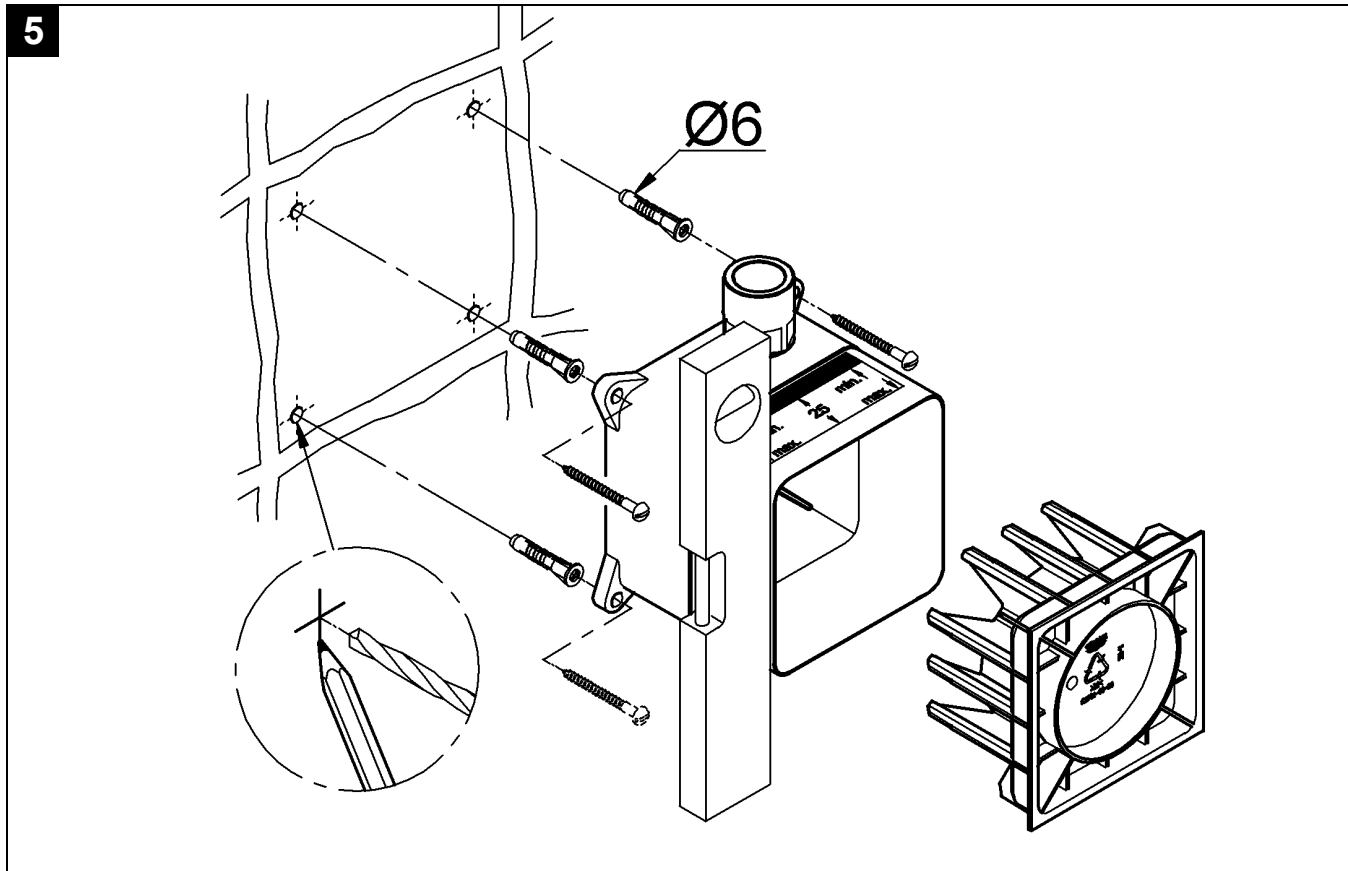
GROHE

ENJOY WATER®



Bitte diese Anleitung an den Benutzer der Armatur weitergeben!
 Please pass these instructions on to the end user of the fitting.
 S.v.p remettre cette instruction à l'utilisateur de la robinetterie!





D

Hinweis: Vor der Installation Montageanleitung der Steuereinheit (A) lesen. Diese enthält wichtige Informationen für die sichere und fachgerechte Installation in Verbindung mit weiteren Modulen.

Elektroinstallation



Die Elektroinstallation darf nur von einem Elektro-Fachinstallateur vorgenommen werden! Dabei sind die Vorschriften nach

IEC 60364-7-701 (entspr. VDE 0100 Teil 701) sowie alle nationalen und örtlichen Vorschriften zu beachten!

Installation

Vorbereitung, siehe Klappseite I, Abb. [1] bis [4].

- Für die Kabel von der Steuereinheit zum Wandeinbaukasten müssen Leerrohre EN21 verwendet werden, siehe Abb. [4]. Die Leerrohre sind **nicht im Lieferumfang** enthalten.

- Um Beschädigungen zu vermeiden, müssen sämtliche Kabel unter Verwendung einer Kabeleinzughilfe eingezogen werden.
- Bei mehr als vier Leerrohrbiegungen müssen die Kabel vor der Installation durch die Leerrohre gezogen werden.
- Das beiliegende 5m Kabel ist für Leerrohre bis zu 4,5m geeignet. Für Leerrohre bis zu 9,5m kann das Sonderzubehör 47 838 **einmalig je Zuleitung** verwendet werden.
- Löcher für Unterputzkasten sowie Schlitz für die Leerrohre erstellen.

Einbau und Anschluss, siehe Klappseite II, Abb. [5] bis [10]. Maßzeichnung auf Klappseite I beachten.

Wand fertig verputzen und verfliesen, siehe Abb. [10].

- Die fertige Wandoberfläche muss im Bereich min./max. der Einbauschablone liegen.

Einbauschablone **nicht** vor der Fertiginstallation kürzen.

GB

Note: Read the installation instructions for the control unit (A) prior to installation. They contain important information for safe and professional installation in combination with other modules.

Electrical installation



Electrical installation work must only be performed

by a qualified electrician. This work must be carried out in accordance with the regulations according to IEC 60364-7-701 (corresponding to VDE 0100 Part 701) as well as all national and local regulations.

Installation

Preparation, see fold-out page I, Figs. [1] to [4].

- Vacant tubes EN21 must be used for the cables from the control unit to the wall-mounting box, see Fig. [4]. These vacant tubes are **not included in the delivery specification.**

- All cables must be pulled through using a pulling device to avoid damage.
- If there are more than four bends in a vacant tube, the cables must be pulled through the tube prior to installation.
- The enclosed 5m cable is suitable for vacant tubes up to 4.5m. The special accessory 47 838 can be used **once per supply line** for vacant tubes up to 9.5m.
- Prepare the holes for the concealed box and the slots for the vacant tubes.

Fitting and connection, see fold-out page II, Figs. [5] to [10]. Refer to the dimensional drawing on fold-out page I.

Plaster and tile the wall, see Fig. [10].

- The finished wall surface must lie within the min./max. area of the fitting template.

Do **not** cut the fitting template prior to final installation.

F

Remarque: Avant l'installation, lire les instructions de montage de l'unité de commande (A). Elles contiennent des informations importantes pour l'installation sûre et conforme en combinaison avec d'autres modules.

Montage électrique



Le montage électrique doit impérativement être réalisé par un électricien! Ce faisant, les prescriptions des normes CEI 60364-7-701

(VDE 0100 partie 701) et toutes les prescriptions nationales et locales doivent être respectées!

Installation

Préparation, voir volet I, fig. [1] à [4].

- Pour les câbles allant de l'unité de commande au caisson pour montage mural, des gaines EN21 doivent être utilisées, voir fig. [4]. Les gaines ne sont **pas incluses dans la livraison.**

- Pour éviter les dommages, tous les câbles doivent être tirés à l'aide d'un tire-câble.
- En présence de plus de quatre flexions des gaines, les câbles doivent être tirés dans les gaines avant l'installation.'
- Le câble de 5m fourni est adapté aux gaines d'une longueur maximale de 4,5m. Pour les gaines jusqu'à 9,5m de longueur, l'accessoire spécial 47 838 peut être utilisé **une fois par conduite d'amenée.**
- Préparer des trous pour le caisson encastré et des fentes pour les gaines.

Montage et raccordement, voir volet II, fig. [5] à [10]. Tenir compte de la cote du schéma sur le volet I.

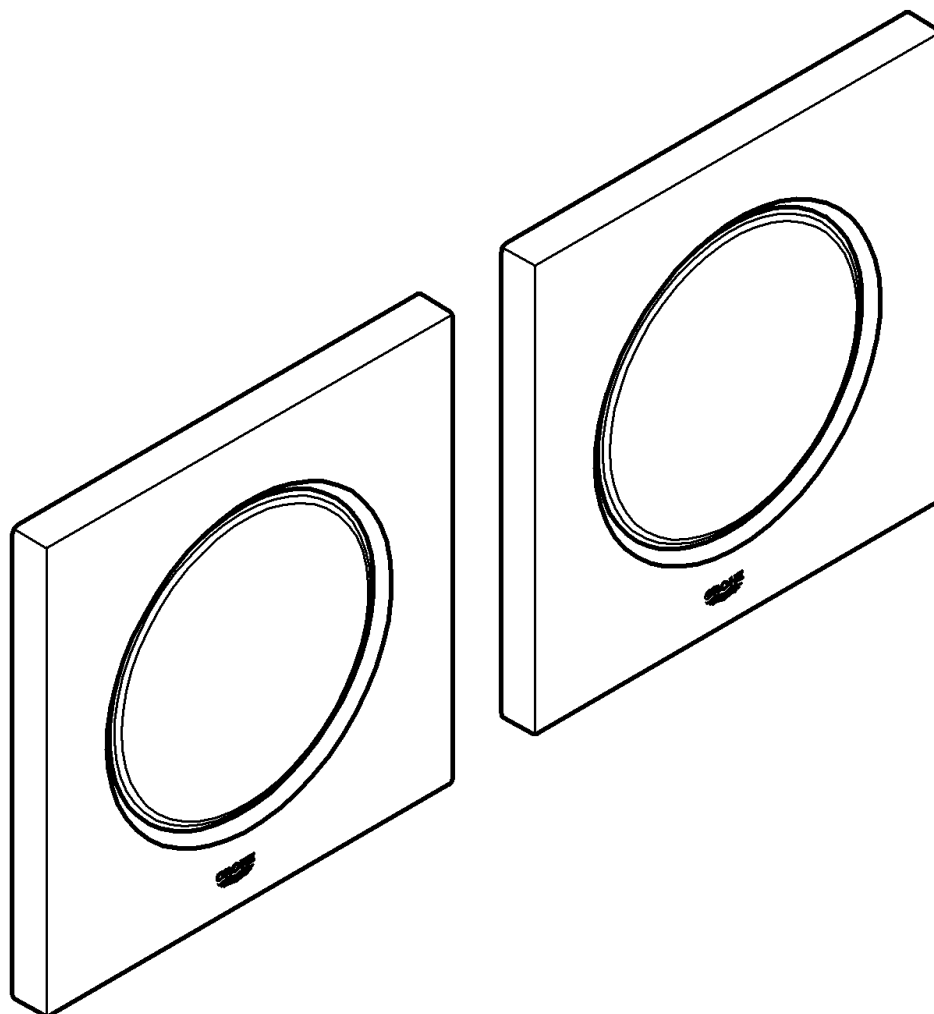
Enduire complètement le mur et le carrelé, voir fig. [10].

- La surface de paroi prête doit se trouver au niveau min./max. du gabarit de montage.

Le gabarit de montage ne doit **pas** être raccourci avant la fin de l'installation.

36 359

F-digital deluxe



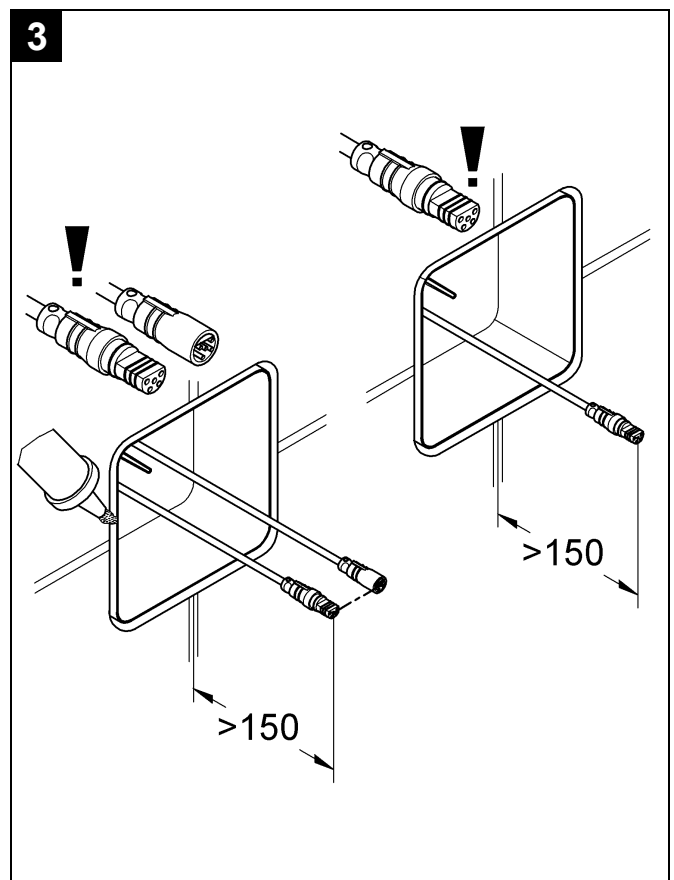
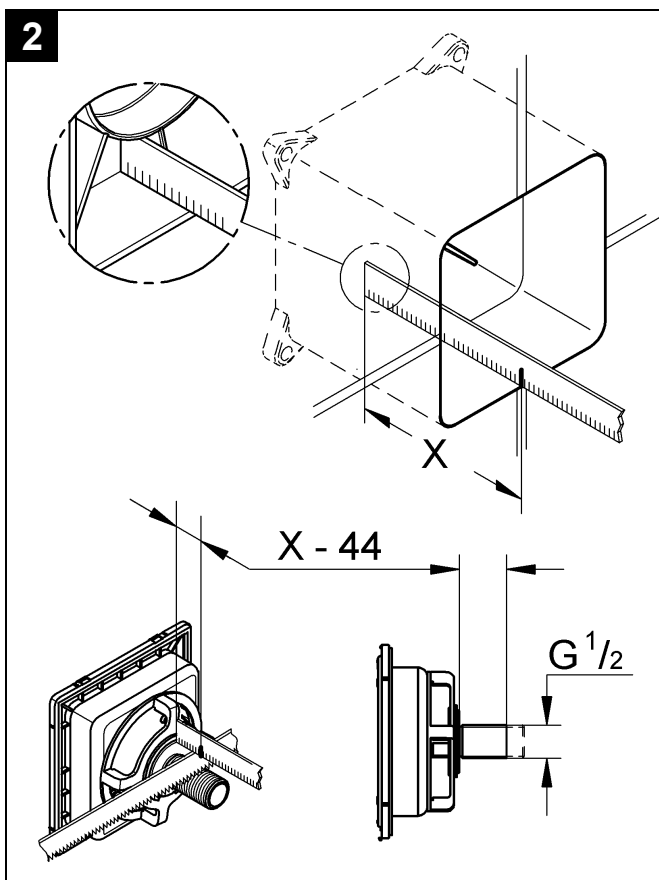
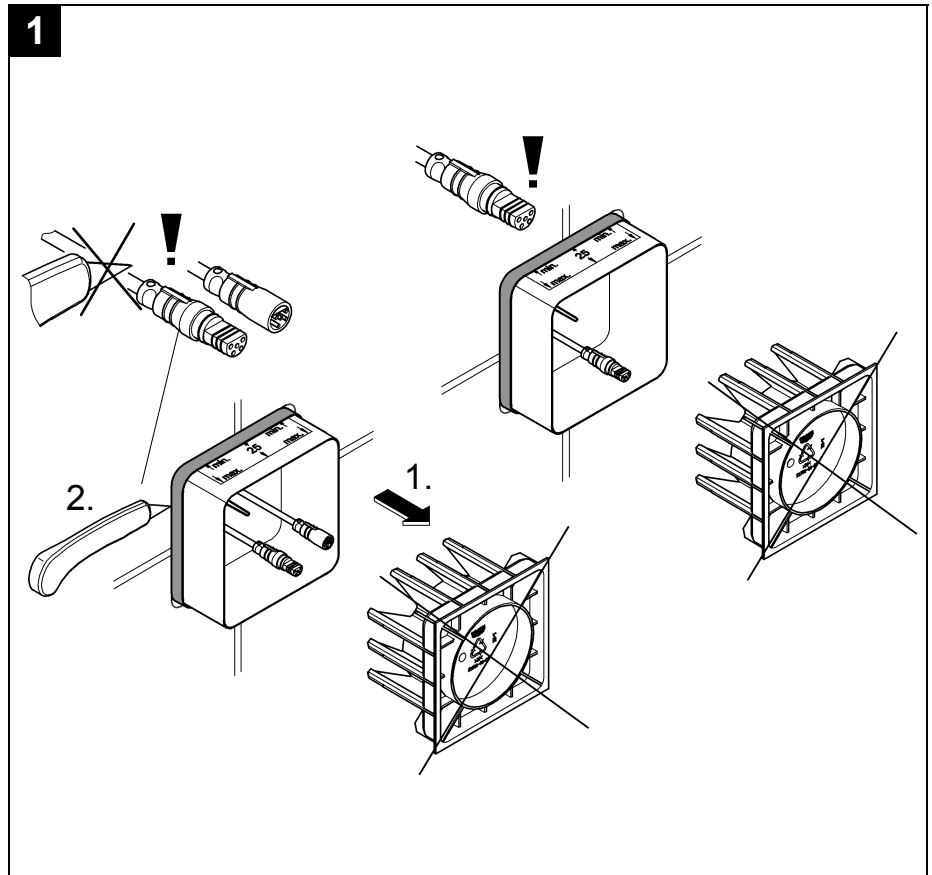
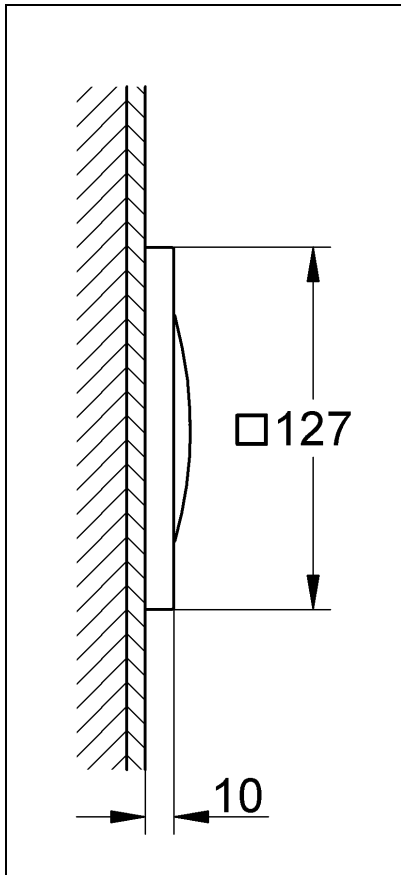
F-digital deluxe

D1	I3	N5	GR7	TR9	BG11	RO13
GB1	NL3	FIN5	CZ7	SK9	EST11	CN13
F2	S4	PL6	H8	SLO10	LV12	UA14
E2	DK4	UAE6	P8	HR10	LT12	RUS14

Design + Engineering GROHE Germany

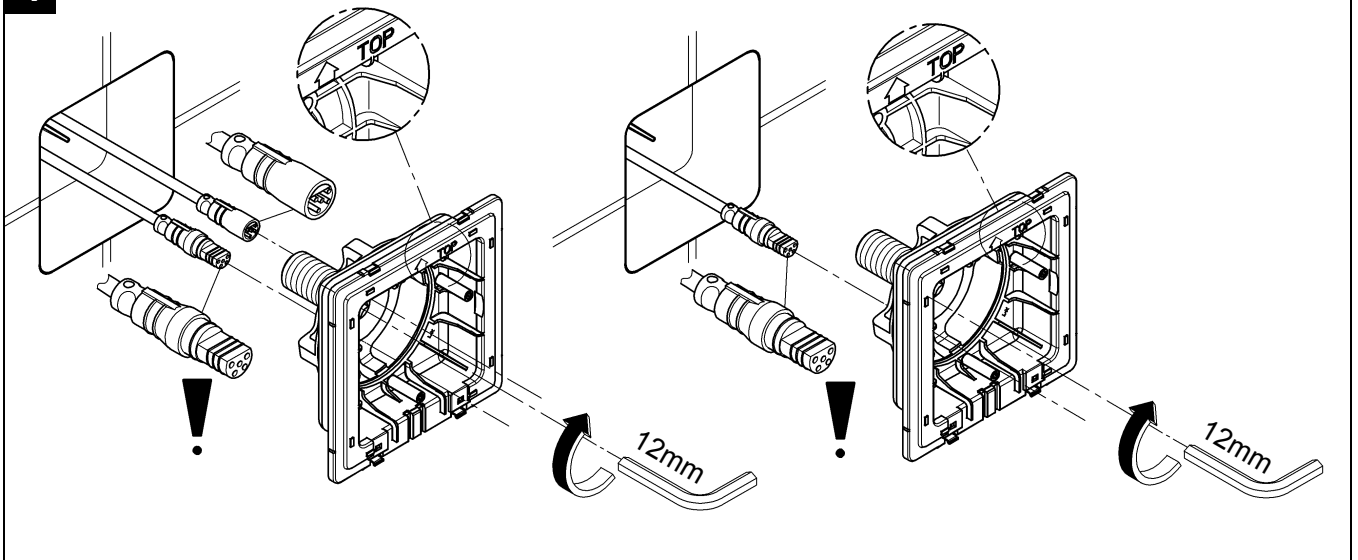
93.938.031/ÄM 223219/01.13

GROHE
ENJOY WATER®

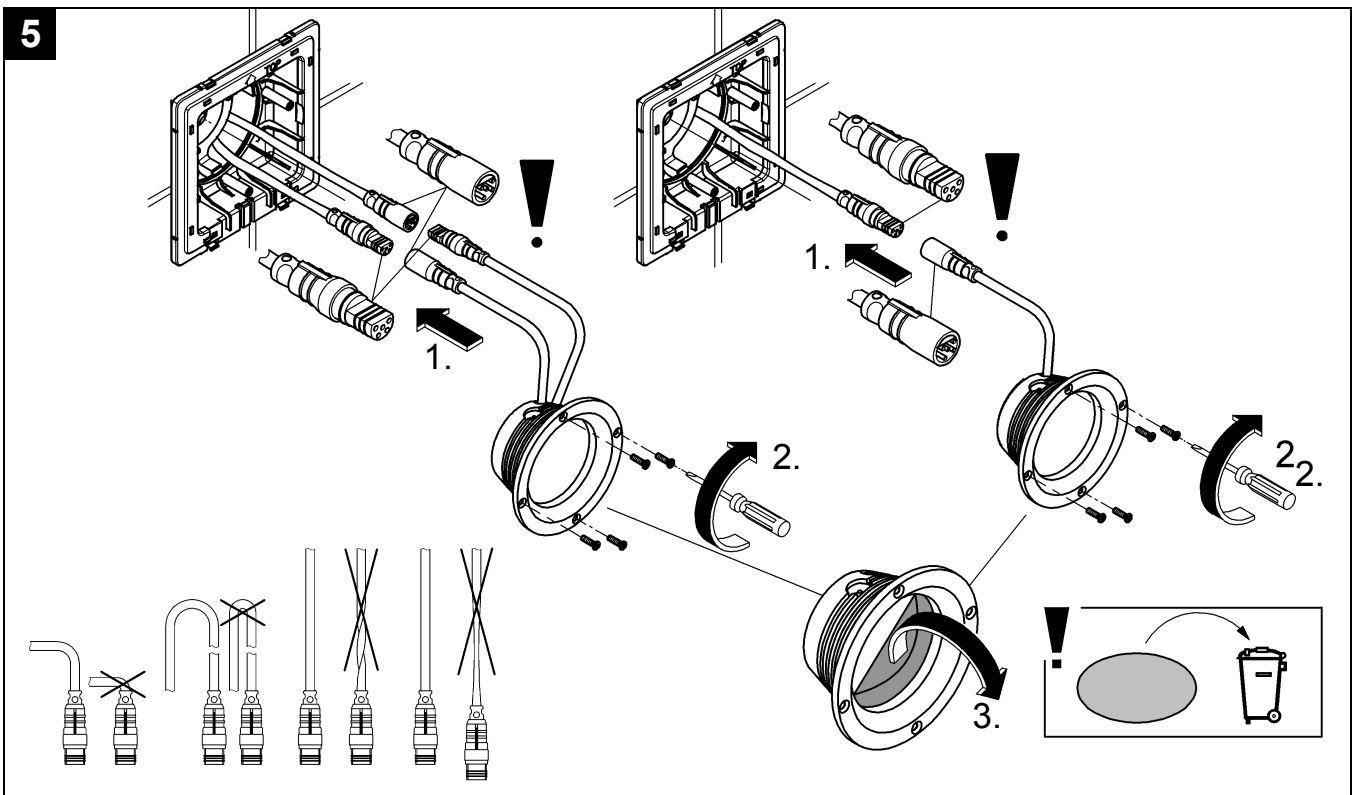


Bitte diese Anleitung an den Benutzer der Armatur weitergeben!
 Please pass these instructions on to the end user of the fitting.
 S.v.p remettre cette instruction à l'utilisateur de la robinetterie!

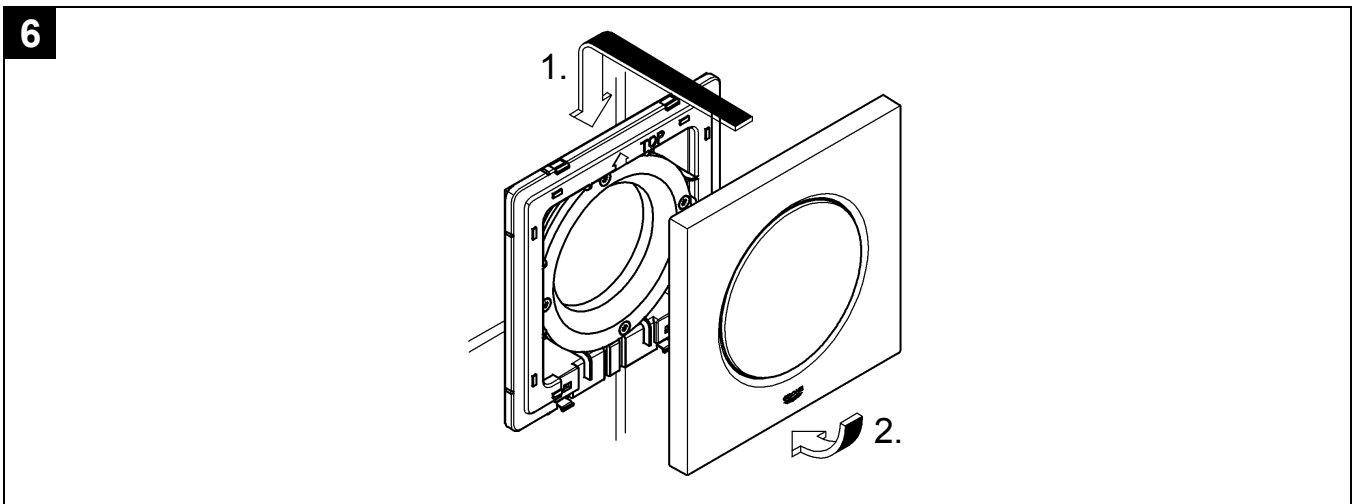
4



5



6



D

Hinweis: Vor der Installation Montageanleitung der Steuereinheit lesen. Diese enthält wichtige Informationen für die sichere und fachgerechte Installation in Verbindung mit weiteren Modulen.

Sicherheitsinformationen



Gefahr durch beschädigte Anschlussleitung vermeiden. Bei Beschädigung muss die Anschlussleitung vom Hersteller oder dessen Kundendienst oder einer gleichermaßen qualifizierten Person ersetzt werden.

- Die Installation darf nur in frostsicheren Räumen vorgenommen werden.
- Bei der Reinigung Steckverbinder **nicht** direkt oder indirekt mit Wasser abspritzen.
- **Achtung!** Verletzungsgefahr der Augen durch direkte Lichteinstrahlung. Zur Vermeidung von Augenschäden nicht direkt in die Lichtquelle blicken.

Anwendungsbereich/Funktion

- Einbauleuchte zur Beleuchtung von Bädern und Duschen.

Technische Daten

- Leistung: 6 W
- Spannungsversorgung: 12 V DC
- Temperatur: 0 – 60 °C
- Luftfeuchtigkeit: 100% RH

Zulassung und Konformität



Dieses Produkt entspricht den Anforderungen der entsprechenden EU-Richtlinien.

Die Übereinstimmungserklärungen können unter der folgenden Adresse angefordert werden:

GROHE Deutschland Vertriebs GmbH

Zur Porta 9
D-32457 Porta Westfalica

Elektroinstallation



Die Elektroinstallation darf nur von einem Elektro-Fachinstallateur vorgenommen werden! Dabei sind die Vorschriften nach

IEC 60364-7-701 (entspr. VDE 0100 Teil 701) sowie alle nationalen und örtlichen Vorschriften zu beachten!

Installation

Einbau und Anschluss, siehe Klappseite I und II, Abb. [1] bis [6].

Maßzeichnung auf Klappseite I beachten.

Bei der Installation beachten:

- Um Beschädigungen zu vermeiden, müssen sämtliche Kabel unter Verwendung einer Kabeleinzughilfe eingezogen werden.

GB

Note: Read the installation instructions for the control unit prior to installation. They contain important information for safe and professional installation in combination with other modules.

Safety notes



Avoid danger due to damaged connection cables. In the case of damage, the connection cable must be replaced by the manufacturer or its customer service department or an equally qualified person.

- Installation is only possible in frost-free rooms.
- The plug-in connectors must **not** be directly or indirectly sprayed with water when cleaning.
- **Important:** Direct light can be harmful to the eyes. To avoid eye damage, do not look directly at the light source.

Applications/function

- Recessed light for illuminating bathrooms and showers.

Technical data

- Power consumption: 6 W
- Power supply: 12 V DC
- Temperature: 0 – 60 °C
- Air humidity: 100% RH

Approval and conformity



This product conforms to the requirements of the relevant EU guidelines.

The conformity declarations can be obtained from the following address:

GROHE Deutschland Vertriebs GmbH

Zur Porta 9
D-32457 Porta Westfalica

Electrical installation



Electrical installation work must only be performed by a qualified electrician. This work must be carried out in accordance with the

regulations according to IEC 60364-7-701 (corresponding to VDE 0100 Part 701) as well as all national and local regulations.

Installation

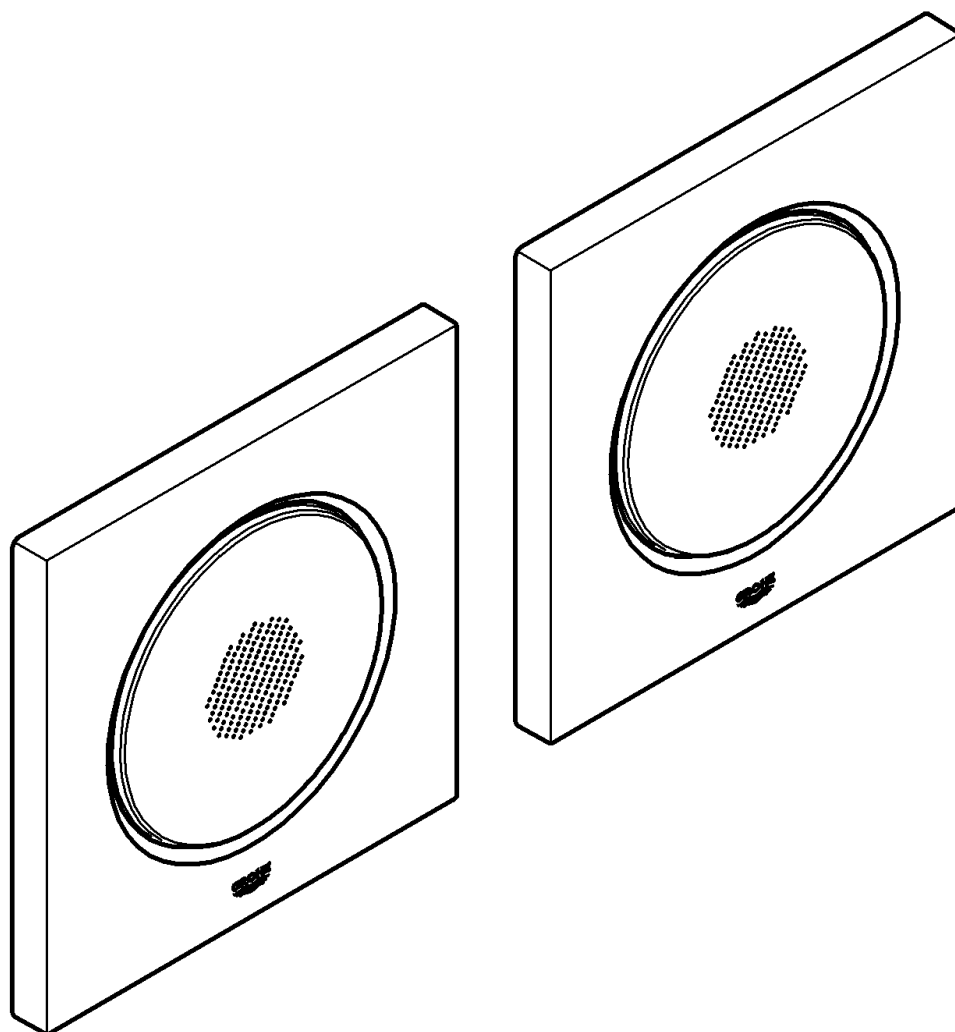
Fitting and connection, see fold-out pages I and II, Figs. [1] to [6].

Refer to the dimensional drawing on fold-out page I.

During installation, please note:

- All cables must be pulled through using a pulling device to avoid damage.

36 360



F-digital deluxe

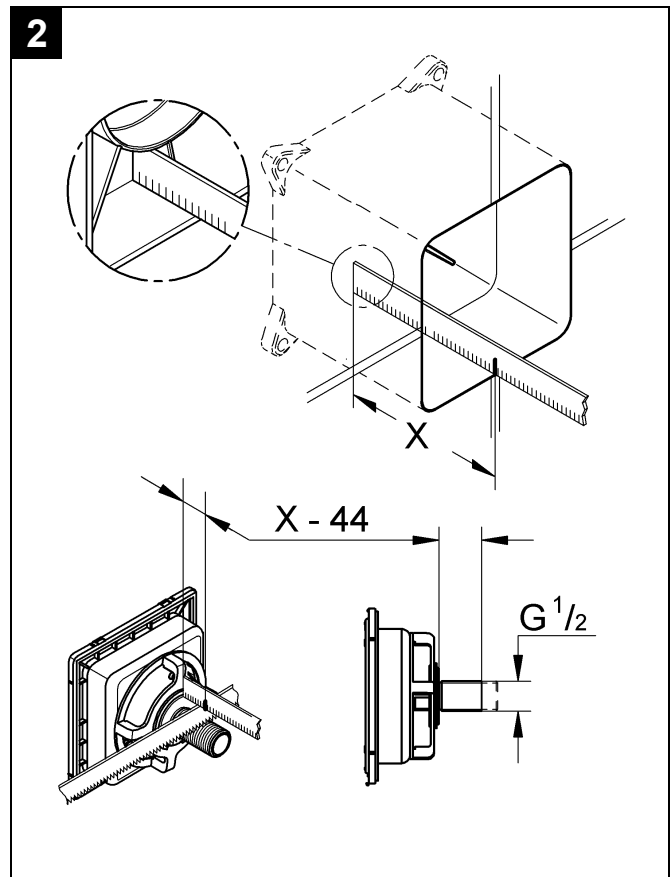
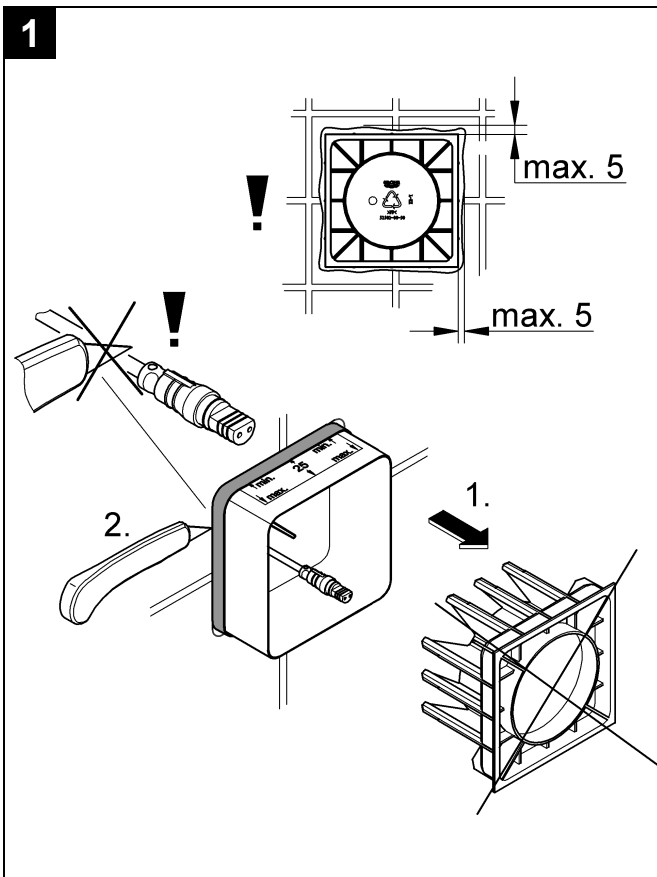
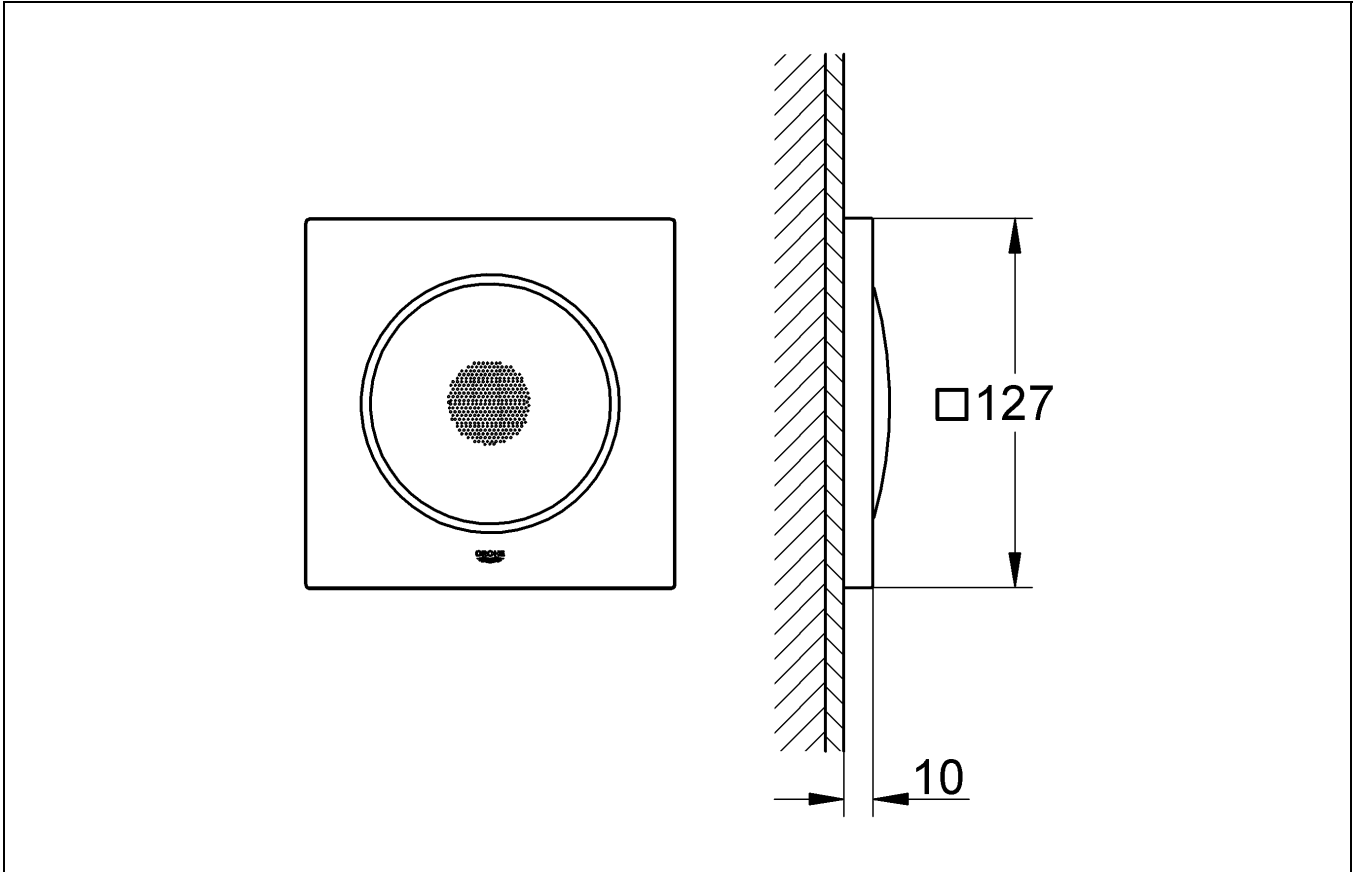
F-digital deluxe

D1	I3	N5	GR7	TR9	BG11	RO13
GB1	NL3	FIN5	CZ7	SK9	EST11	CN13
F2	S4	PL6	H8	SLO10	LV12	UA14
E2	DK4	UAE6	P8	HR10	LT12	RUS14

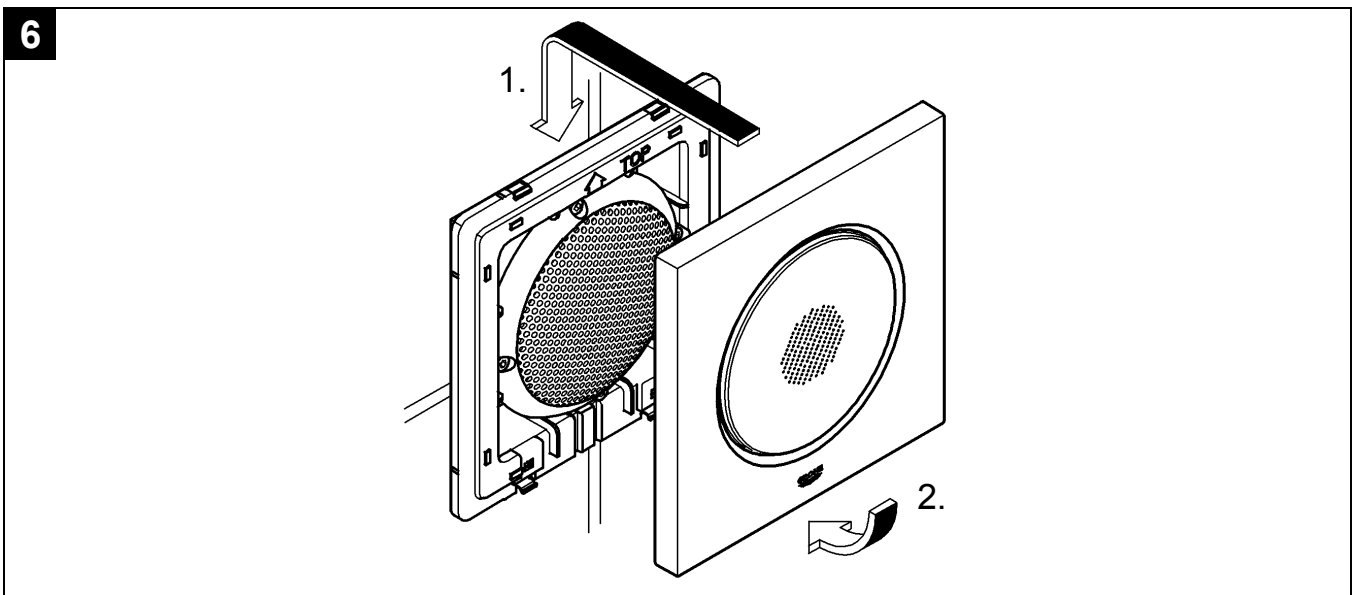
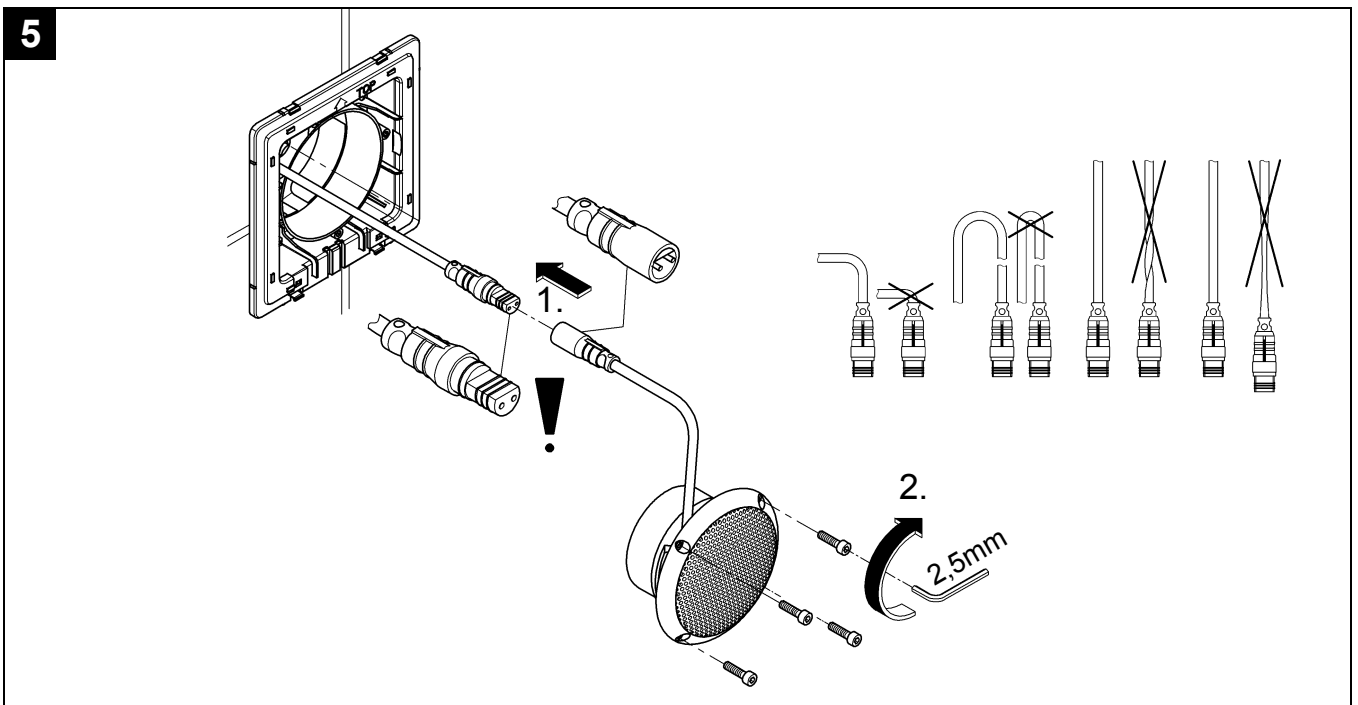
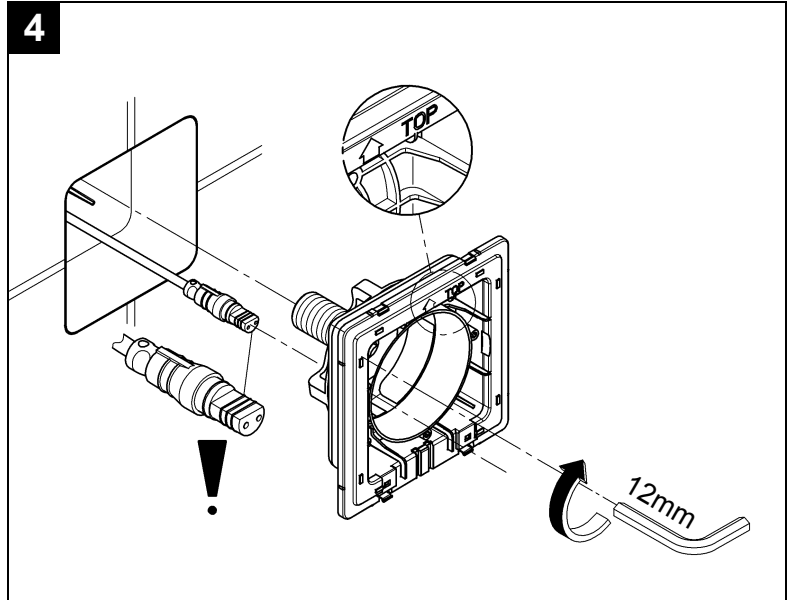
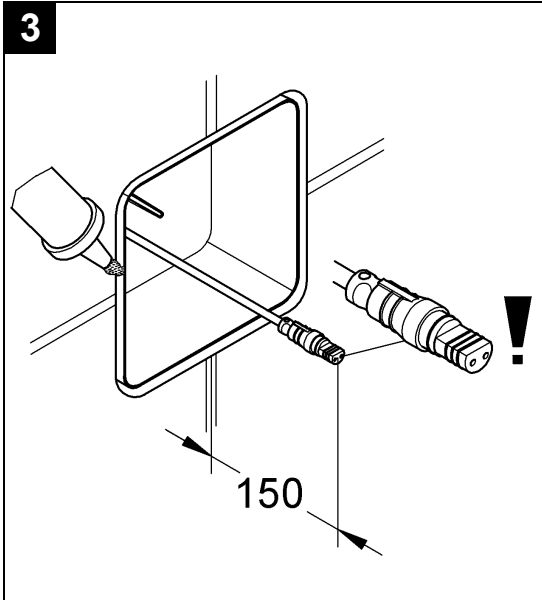
Design + Engineering GROHE Germany

93.940.031/ÄM 223218/01.13

GROHE
ENJOY WATER®



Bitte diese Anleitung an den Benutzer der Armatur weitergeben!
 Please pass these instructions on to the end user of the fitting.
 S.v.p remettre cette instruction à l'utilisateur de la robinetterie!



D

Hinweis: Vor der Installation Montageanleitung der Steuereinheit lesen. Diese enthält wichtige Informationen für die sichere und fachgerechte Installation in Verbindung mit weiteren Modulen.

Sicherheitsinformationen



Gefahr durch beschädigte Anschlussleitung vermeiden. Bei Beschädigung muss die Anschlussleitung vom Hersteller oder dessen Kundendienst oder einer gleichermaßen qualifizierten Person ersetzt werden.

- Die Installation darf nur in frostsicheren Räumen vorgenommen werden.
- Bei der Reinigung Steckverbinder **nicht** direkt oder indirekt mit Wasser abspritzen.
- **Achtung!** Laute Töne können das Gehör schädigen. Zur Vermeidung von Hörschäden ausreichend Abstand zum Lautsprecher halten.

Anwendungsbereich/Funktion

- Lautsprecher zur Beschallung in Bädern und Duschen.

Technische Daten

- Spannungsversorgung: 12 V DC
- Nennbelastbarkeit: 20 W
- Impedanz: 8 Ω
- Mittlerer Schalldruck: 84 dB (1 W/1 m)
- Übertragungsbereich: 100 – 20000 Hz
- Temperatur: 0 – 60 °C
- Luftfeuchtigkeit: 100% RH

GB

Note: Read the installation instructions for the control unit prior to installation. They contain important information for safe and professional installation in combination with other modules.

Safety notes



Avoid danger due to damaged connection cables. In the case of damage, the connection cable must be replaced by the manufacturer or its customer service department or an equally qualified person.

- Installation is only possible in frost-free rooms.
- The plug-in connectors must **not** be directly or indirectly sprayed with water when cleaning.
- **Important:** Loud noises can be harmful to the hearing. To avoid hearing damage, maintain sufficient distance from the loudspeaker.

Applications/function

- Loudspeaker for use in bathrooms and showers.

Technical data

- Power supply: 12 V DC
- Rated power: 20 W
- Impedance: 8 Ω
- Average sound pressure: 84 dB (1 W/1 m)
- Transmission range: 100 – 20,000 Hz
- Temperature: 0 – 60 °C
- Air humidity: 100% RH

Zulassung und Konformität



This product corresponds to the requirements of the corresponding EU directives.

The conformity declarations can be obtained from the following address:

GROHE Deutschland Vertriebs GmbH

Zur Porta 9
D-32457 Porta Westfalica

Elektroinstallation



Die Elektroinstallation darf nur von einem Elektro-Fachinstallateur vorgenommen werden! Dabei sind die Vorschriften nach

IEC 60364-7-701 (entspr. VDE 0100 Teil 701) sowie alle nationalen und örtlichen Vorschriften zu beachten!

Installation

Einbau und Anschluss, siehe Klappseite I und II, Abb. [1] bis [6].

Maßzeichnung auf Klappseite I beachten.

Bei der Installation beachten:

- Um Beschädigungen zu vermeiden, müssen sämtliche Kabel unter Verwendung einer Kabeleinzughilfe eingezogen werden.

Approval and conformity



This product conforms to the requirements of the relevant EU guidelines.

The conformity declarations can be obtained from the following address:

GROHE Deutschland Vertriebs GmbH

Zur Porta 9
D-32457 Porta Westfalica

Electrical installation



Electrical installation work must only be performed

by a qualified electrician. This work must be carried out in accordance with the regulations according to IEC 60364-7-701 (corresponding to VDE 0100 Part 701) as well as all national and local regulations.

Installation

Fitting and connection, see fold-out pages I and II, Figs. [1] to [6].

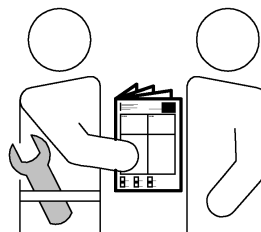
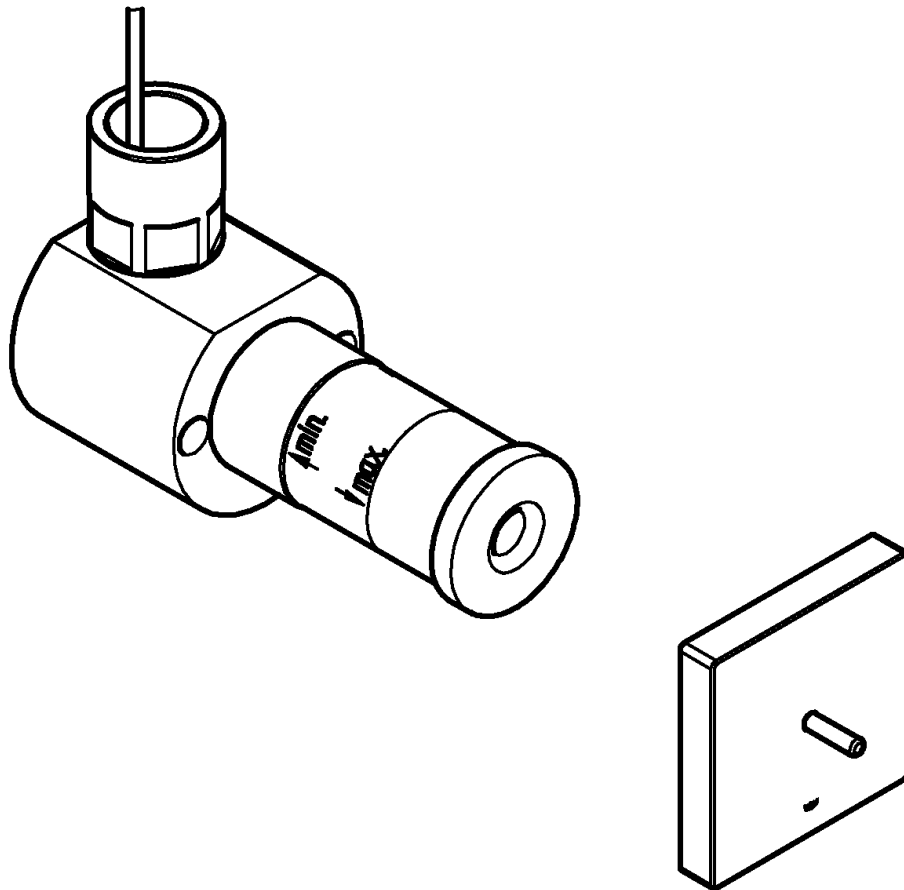
Refer to the dimensional drawing on fold-out page I.

During installation, please note:

- All cables must be pulled through using a pulling device to avoid damage.



36 419



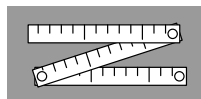
1



5 - 6

English
Français
Español

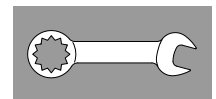
2

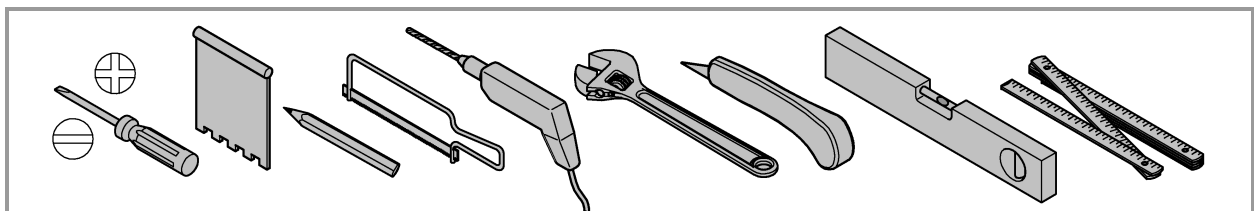
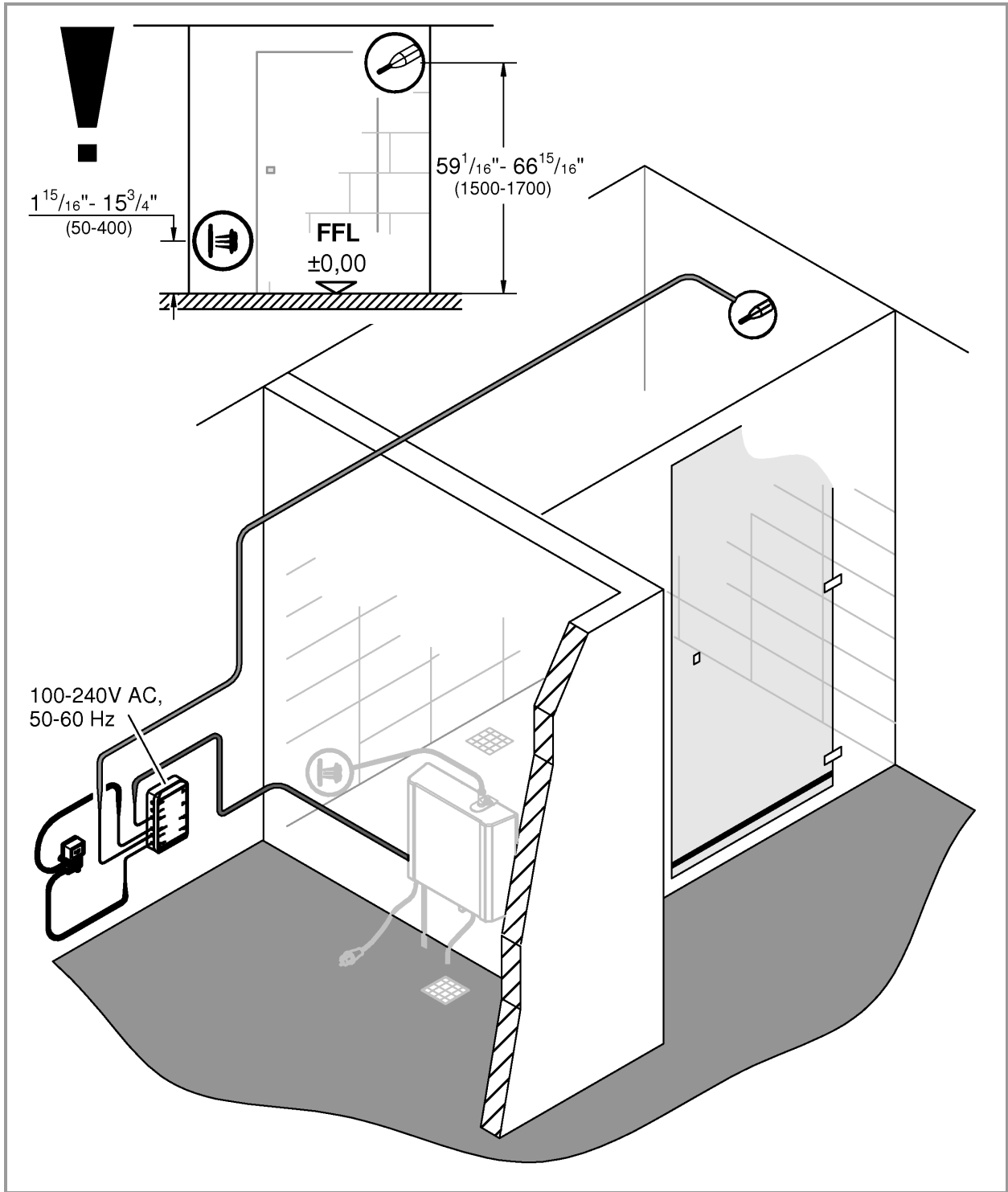


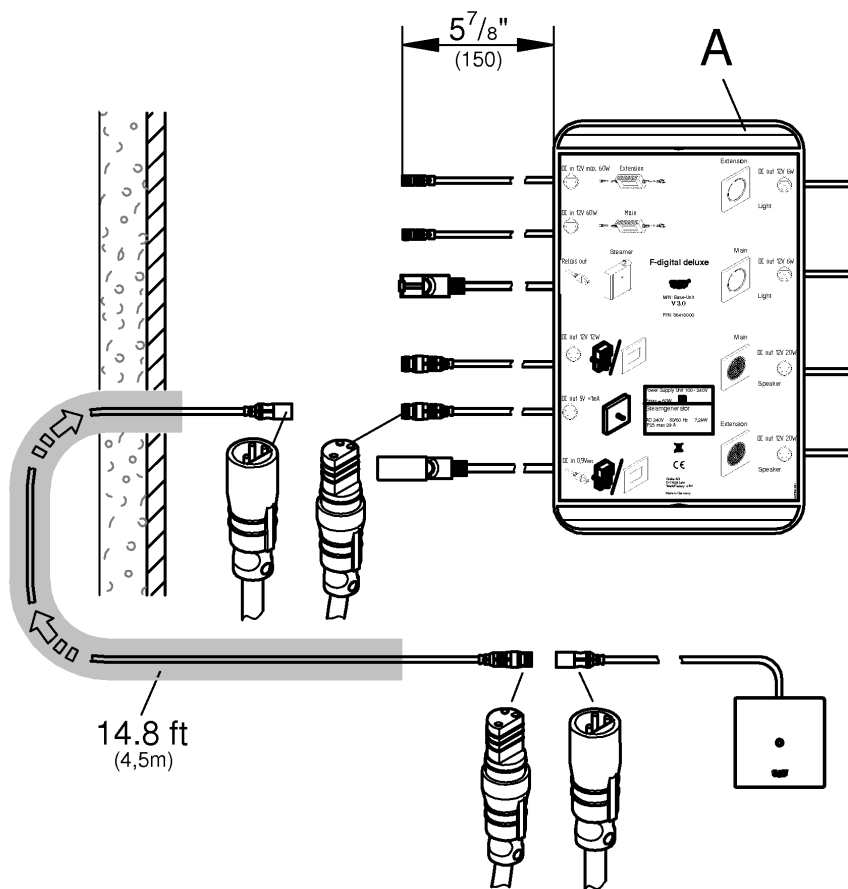
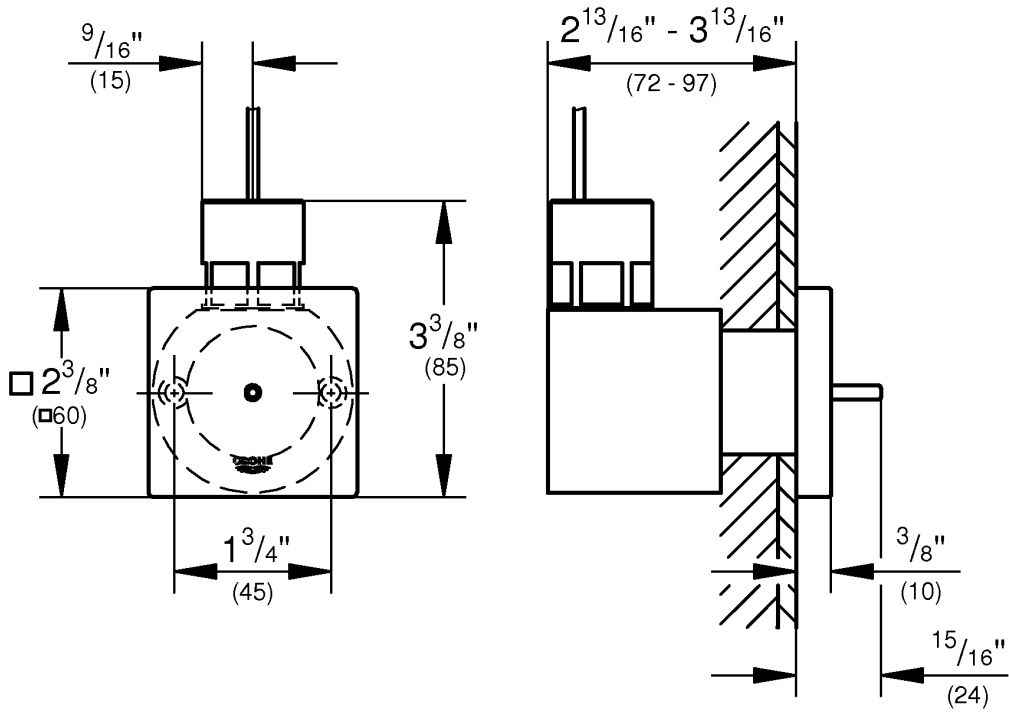
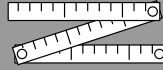
7

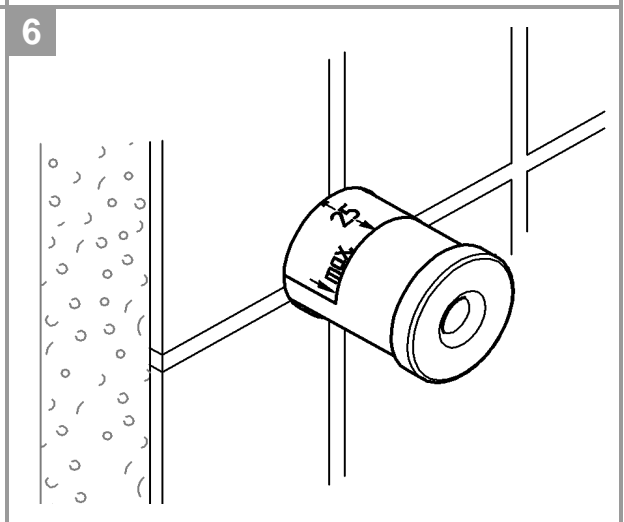
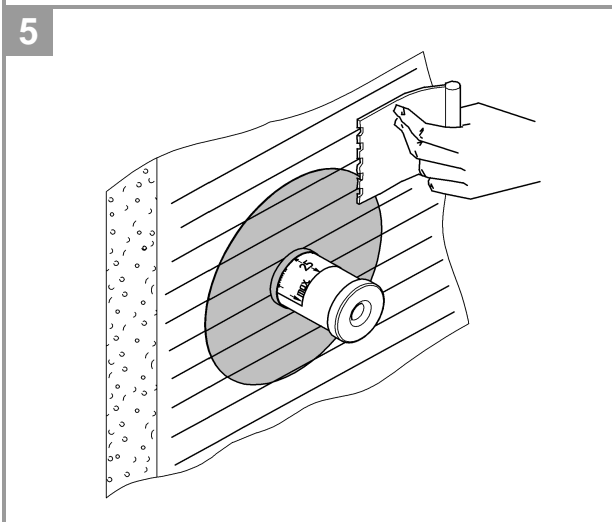
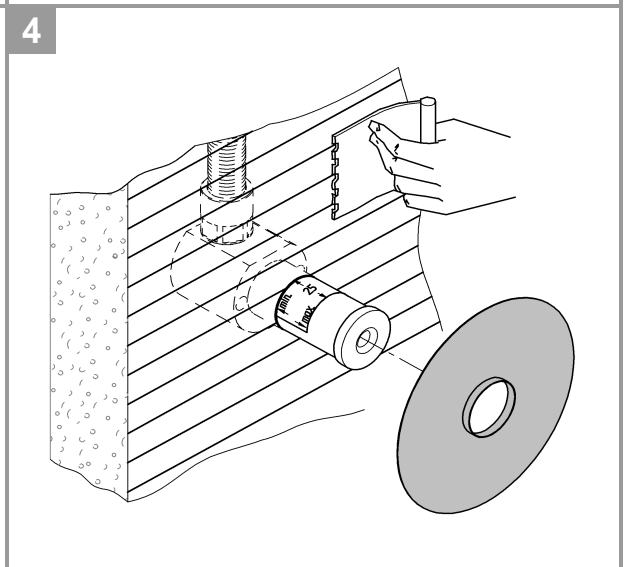
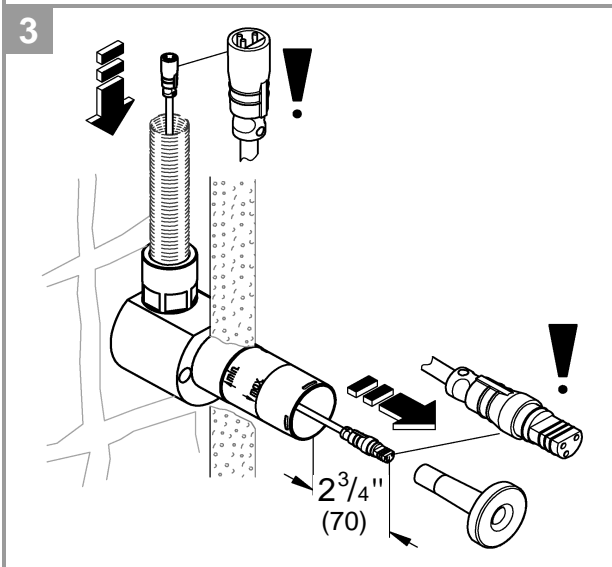
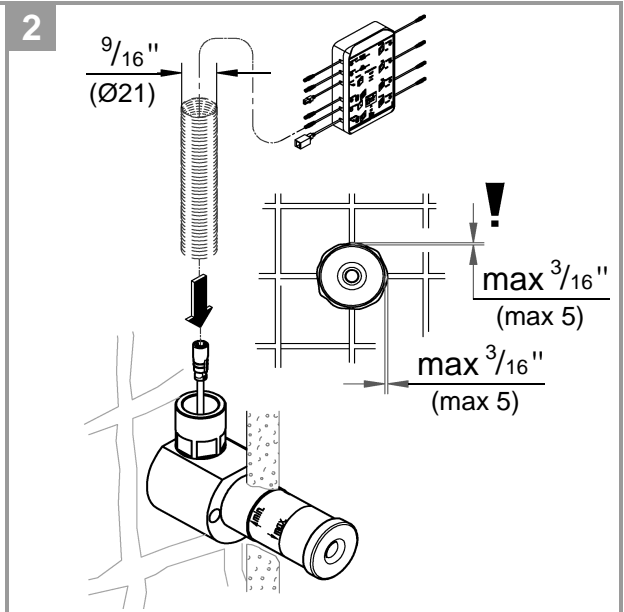
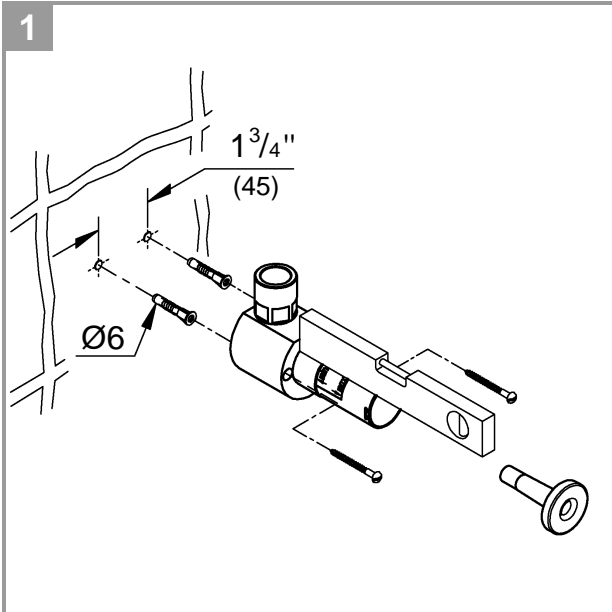
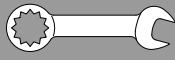


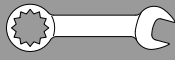
3 - 4



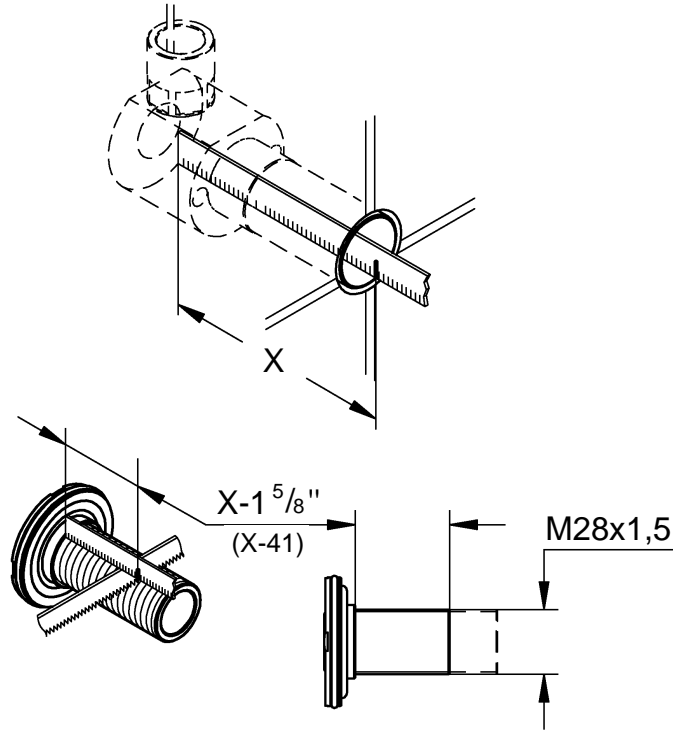




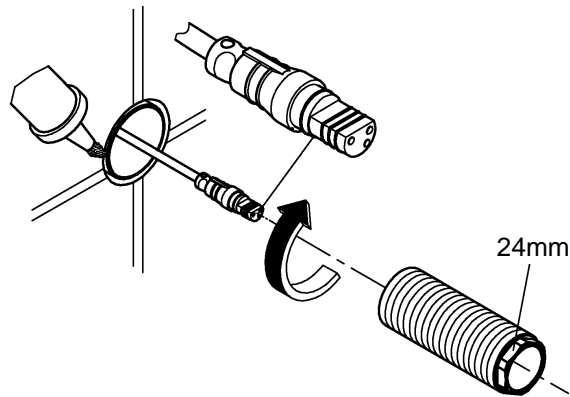




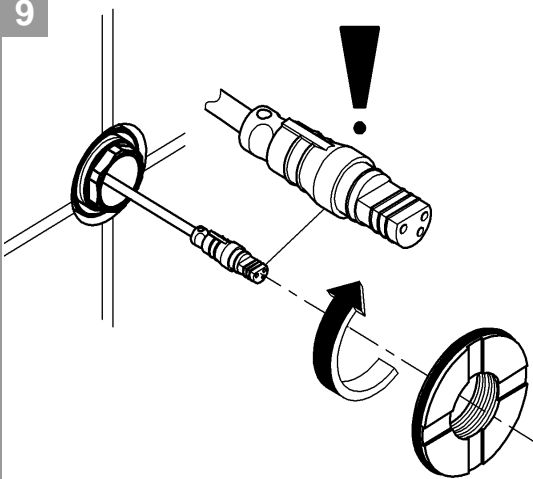
7



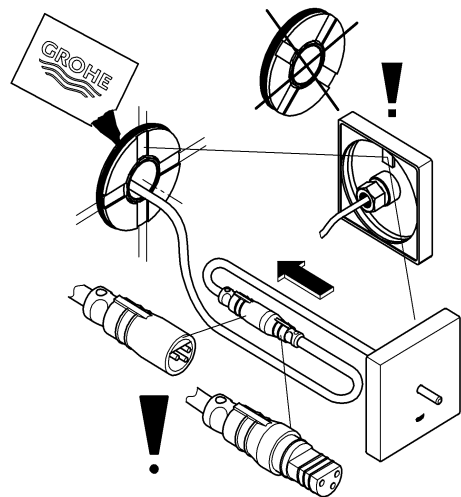
8



9



10



English

Note: Read the installation instructions for the control unit (A) prior to installation. They contain important information for safe and professional installation in combination with other modules.

Applications/function

- Feeler gauge

Electrical installation



This product must be installed in accordance with the applicable installation code by a person familiar with the construction and operation of the product and the hazards involved!

Installation

Observe the installation height of the modules, see Page 1.

Preparation, see Page 2 and Page 3 Fig. [1].

- Vacant tubes EN21 must be used for the cables from the control unit to the wall-mounting box, see Page 3, Fig. [2]. These vacant tubes are **not included in the delivery specification**.
- All cables must be pulled through using a pulling device to avoid damage.
- If there are more than four bends in a vacant tube, the cables must be pulled through the tube prior to installation.

- The enclosed 5m (16.4 ft) cable is suitable for vacant tubes up to 4.5 m (14.8 ft). The special accessory 47 877 can be used **once** for vacant tubes up to 9.5 m (31.2 ft).

- Prepare holes for the concealed housing and the slots for the vacant tubes.

Fitting and connection

Refer to the dimensional drawing on Page 2.

Preliminary installation, see Page 3, Figs. [1] to [6].

Fit **feeler gauge** as far away as possible (at an altitude of 59 1/16"-66 15/16" [1500-1700mm]) from the steam outlet, see Page 1.

The steam outlet is not included in the delivery specification, observe the manufacturer's documentation!

Plaster and tile the wall.

- The finished wall surface must lie within the min./max. area of the fitting template, see Page 3 Figs. [2] and [6].

Do **not** cut the fitting template prior to final installation.

Final installation, see Page 4, Figs. [7] to [10].

Français

Remarque: Avant l'installation, lire les instructions de montage de l'unité de commande (A). Elles contiennent des informations importantes pour l'installation sûre et conforme en combinaison avec d'autres modules.

Domaine d'application/Fonction

- Capteur de température

Montage électrique



Ce produit doit être installé selon le Code d'installation pertinent, par une personne qui connaît bien le produit et son fonctionnement ainsi que les risques inhérents!

Installation

Tenir compte de la hauteur de montage des modules, voir page 1.

Préparation, voir page 2 et page 3, fig. [1].

- Pour les câbles allant de l'unité de commande au caisson pour montage mural, des gaines EN21 doivent être utilisées, voir page 3, fig. [2]. Les gaines ne sont **pas incluses dans la livraison**.
- Pour éviter les dommages, tous les câbles doivent être tirés à l'aide d'un tire-câble.
- En présence de plus de quatre flexions des gaines, les câbles doivent être tirés dans les gaines avant l'installation.

- Le câble de 5m (16.4 ft) fourni est adapté aux gaines d'une longueur maximale de 4,5m (14.8 ft). Pour les gaines jusqu'à 9,5m (31.2 ft) de longueur, l'accessoire spécial 47 877 peut être utilisé **une fois**.

- Préparer des trous pour le corps à encastrer et des fentes pour les gaines.

Montage et raccordement

Tenir compte de la cote du schéma sur page 2.

Installation provisoire, voir page 3, fig. [1] à [6].

Maintenir le **capteur de température**, dans la mesure du possible, à distance de la sortie de vapeur (à environ 1500-1700mm [59 1/16"-66 15/16"]), voir page 1.

La sortie de vapeur n'est pas incluses dans la livraison, consulter la documentation du fabricant !

Finir de crépir le mur et carreler.

- La surface de paroi prête doit affleurer dans la zone min./max. du gabarit de montage, voir page 3 fig. [2] et [6].

Le gabarit de montage ne doit **pas** être raccourci avant la fin de l'installation.

Installation définitive, voir page 4, fig. [7] à [10].

Steambath Generators

Models: SM-12 and SM-15

The Steamist "SM" Generator comes factory assembled, carefully wired and tested.

WARNING: All electrical power should be turned OFF when working with Steam Generator.

IMPORTANT: The Plumbing Installation must conform to local and national codes.

1. Pre-Installation

- a) Be sure that the proper size Steam Generator has been selected by using the sizing page in the "Full Line Brochure," "Pricing Guide," "The Generator Sizing Guide," "Architectural Guidelines," or in the Residential Systems/Steambath Product Information section of the Steamist website - www.steamist.com.

CAUTION: An improperly sized Steam Generator may NOT produce the amount of steam necessary to reach selected temperature.

- b) The Steam Generator should be located as close as possible to the Steamroom/Shower or tub enclosure. Steam pipe should NOT exceed twenty-five feet in length. If the steam pipe exceeds ten feet, use an appropriate pipe insulation rated for a minimum of 212°F. Refer to Installation Suggestions on page 4.

CAUTION: Do NOT install near flammable material such as paints, thinners, gasoline, etc.

CAUTION: Steam generators must NOT be installed outdoors, in moist, humid areas, in areas prone to freezing, or extreme heat such as an unventilated attic. To do so will void the warranty.

- c) The steam line and safety valve reach a temperature of 212°F during operation and should be appropriately protected to prevent personal injury by accidental contact.

2. Plumbing Rough-in

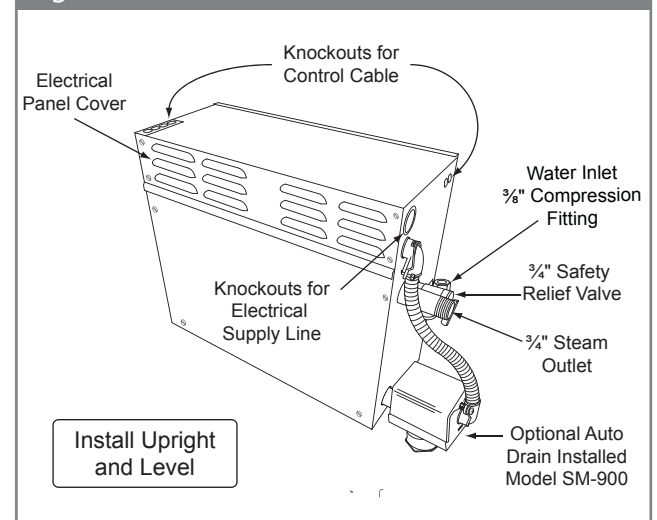
Plumbing rough-in is required for the water supply and steam line; this should be completed before the walls are closed. For operation, the "SM" Steam Generator requires a 3/8" O.D. copper tubing to the fitting on the generator for water inlet and a 3/4" copper or brass pipe for steam outlet.

NOTE: Safety Valve should be connected to a minimum 3/4" indirect waste or as required by local plumbing codes. In the unlikely event this valve should open, the discharge must be directed to prevent damage to the home. Do NOT connect the Safety Valve output to the steam line.

- a) **Water Inlet** - Rough in a water line, 120 PSI max, to the hot or cold supply. A shut off valve with a 3/8" connection to the steam generator is to be provided at the generator location (see Figure 4 on page 3).
- b) **Steam Outlet** - Rough in the steam line using a minimum of a 3/4" copper or brass pipe; do NOT use black iron or galvanized pipe, it will rust and discolor the wall of the steambath. The steamhead location should be 18" above the shower floor or 6" above the rim of the bathtub, as far from the seating area as possible. Also, do NOT use plastic type water lines as a steam line.

CAUTION: No shutoff valve can be installed in the steam line. Do NOT create traps or valleys in this line which would trap condensation and block the flow of steam. The steam pipe should be pitched toward the Steam Generator allowing condensation to run back toward the Steam Generator (preferred), or toward the steamhead. If the steam generator is equipped with a drain valve, do NOT connect the drain pipe to the steam line.

Figure 1- Steam Generator



WARNING: Elderly persons, pregnant women, or those suffering from heart disease, high blood pressure, diabetes, or who are otherwise not in good health, do not use this device unless directed to do so by a physician. Also, do not use steambath while under the influence of alcohol. For additional Important Safety Information, please see a separate instruction Pub. No. 199.

IMPORTANT: The warranty of this product is voided if it is used in a commercial application or for anything other than a residential steambath installation. This product is not intended for use with Home Automation systems.

3. Steam Generator Installation

The Steam Generator should be mounted in a location convenient for hook-up and service by the plumber and electrician.

CAUTION: The Steam Generator is designed to be used ONLY in an upright and level position; to do otherwise would damage the unit and void the warranty.

a) The Steam Generator can be mounted to a wall or set on the floor. However, the unit must be secured. To secure the unit to a vertical wall, loosen the two screws holding the electrical access cover, remove cover (see Figure 1). Located inside the cabinet near the top left and right corners are mounting holes. Place top cover back and secure.

b) Connect the 3/8" water inlet to a shut off valve as described in Section 2.a. The valve must be kept in an open position during normal operation. In an area where water hammer is a problem install a water hammer arrestor in the line. Refer to Figure 2.

IMPORTANT: Do NOT use a "saddle valve" or piercing type valve for water connection.

c) Connect the steam line from rough-in location described in Section 2 to the 3/4" nipple on the Steam Generator using a union.

Figure 2 - Plumbing Diagram

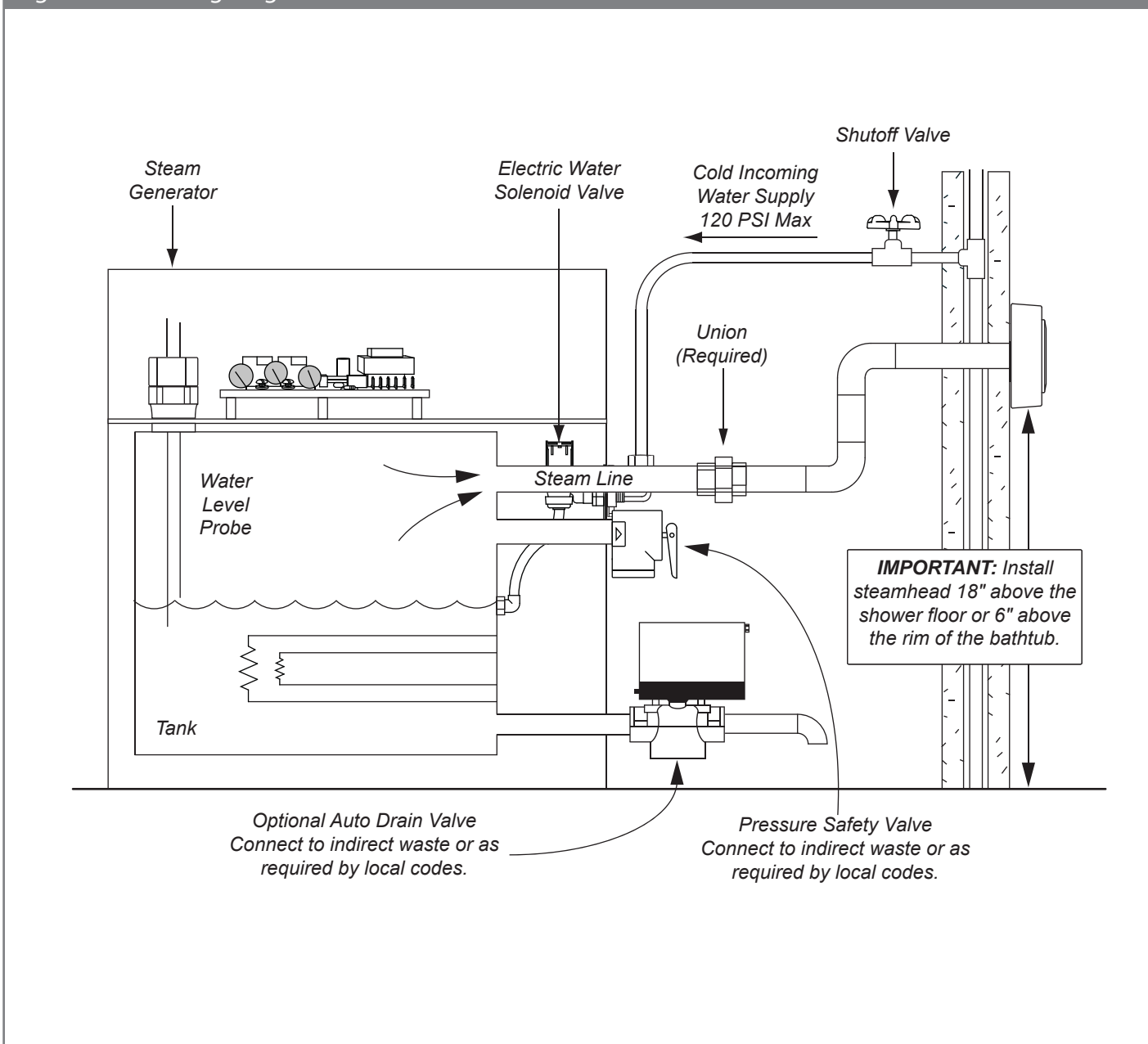
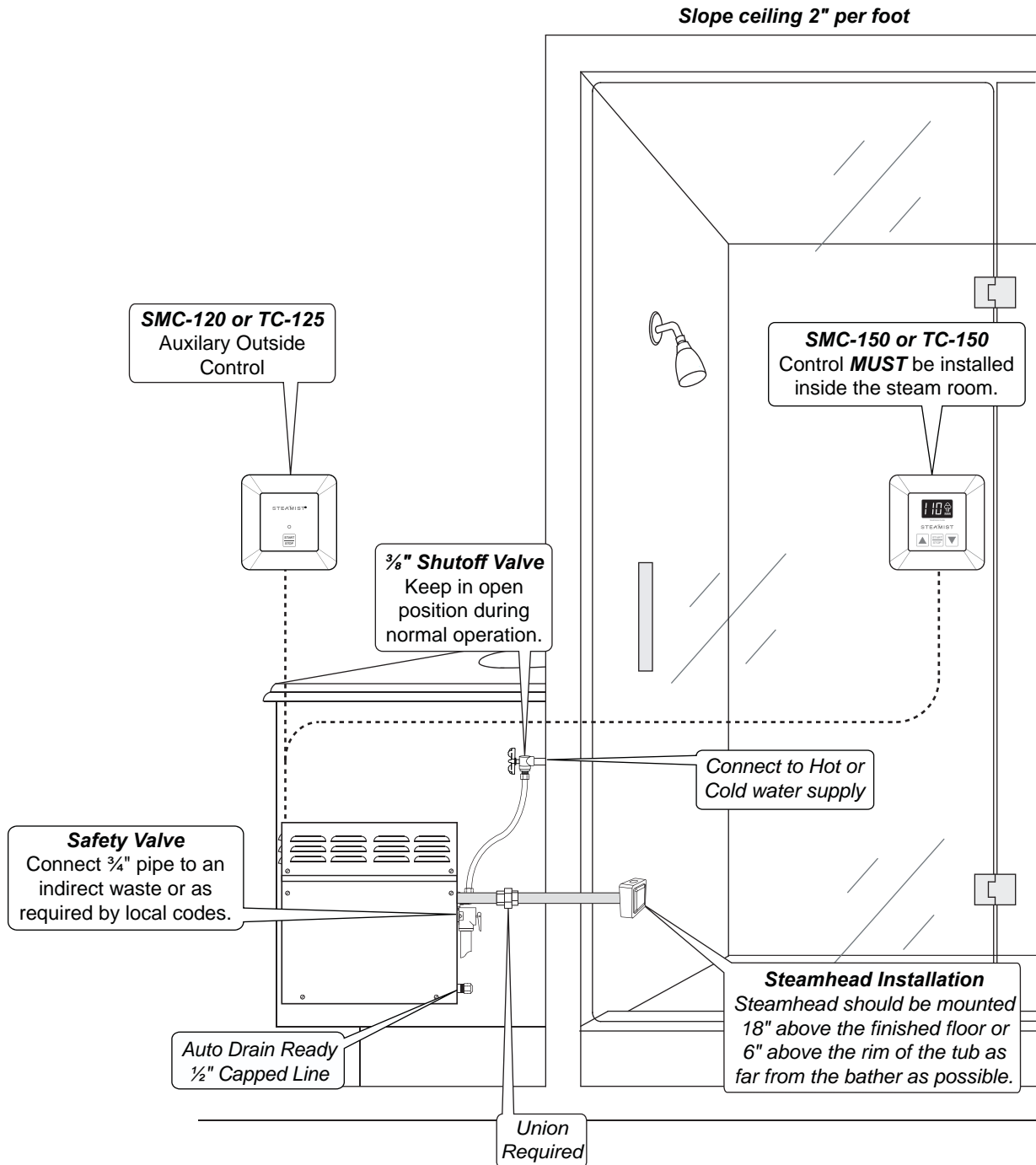


Figure 4 - Typical Installation

Models: SM-12 and SM-15

The Plumbing Instructions must be given to the homeowner for future use.



Steam Outlet Pipe - Use a minimum of a 3/4" Copper or Brass pipe.

NOTE: The SM Series steam generators will also work with the following controls: TC-110, TC-135, DSC-425, and DSP.

CAUTION: Do NOT install a shutoff valve on the steam outlet pipe. Do NOT create traps or valleys in this line which would prevent the flow of steam. The steam outlet pipe should be pitched toward the Steam Generator (preferred), allowing condensation to run back into the Steam Generator or toward the steamhead. If the steam pipe exceeds ten feet, use an appropriate pipe insulation rated for a minimum of 212°F.

Access Requirements

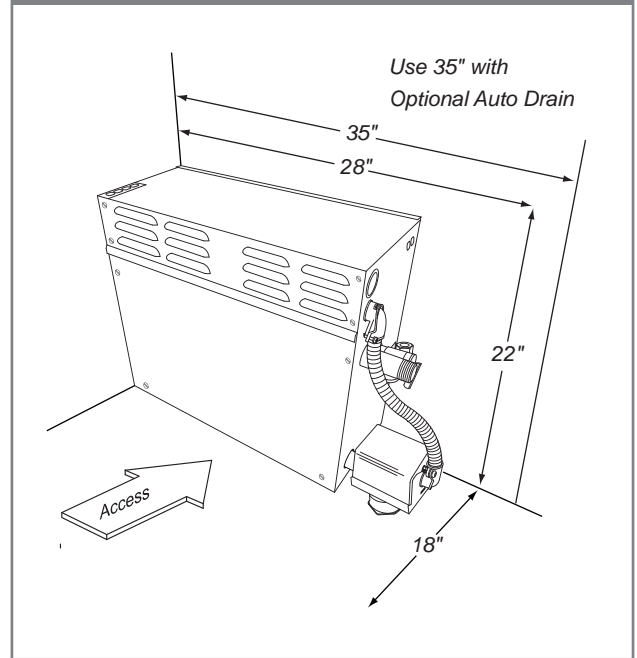
Select a location for mounting the Steam Generator that is accessible for installation and service. The access requirement indicates the minimum space for convenient access to Steam Generator.

CAUTION: All models must be installed INDOORS, in a DRY, NON-FREEZING location away from flammable materials such as: Gasoline, Paints, Thinners, Etc.

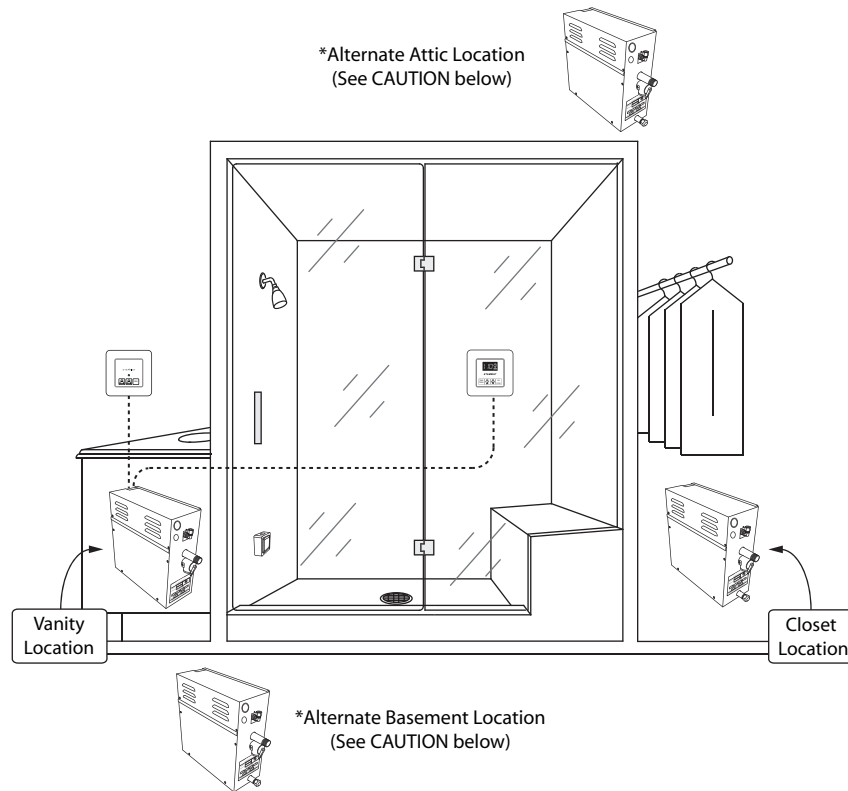
NOTE: This steam generator is NOT intended to be used for space heating purposes.

IMPORTANT: Steam Generator must be installed upright and level. The serial number info should be visible and the Steam Generator should be accessible for service.

Figure 5



Installation Suggestions



***CAUTION:** Steam generators must NOT be installed outdoors, in moist, humid areas, in areas prone to freezing, or extreme heat such as an unventilated attic. To do so will void the warranty.

STEAMIST®

3199 Steamhead Installation Instructions

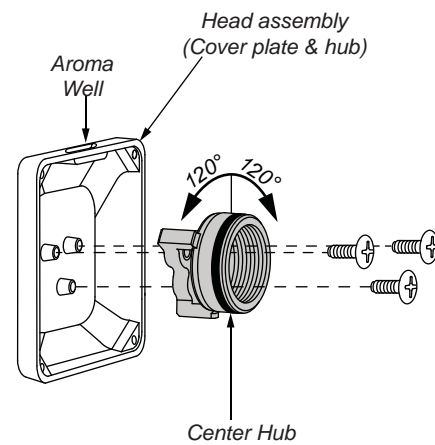
Model: 3199

NOTE: The steam head has been designed with a 360 degree dispersion of steam to improve circulation and to minimize the hotspots created with the traditional steam heads. For maximum comfort the steam head should always be located as far from the seating area as possible. Should the location of the steam head necessitate blocking the steam from a particular direction to improve bather comfort, the supplied deflector plate can be added to any of the three sides shown to help divert the steam away from the bather. The deflector is attached to the back side of the head before installation with 2 stainless steel screws provided.

1. Make sure the 3/4" nipple protrudes beyond the tile 1/4" to 1/2".
- IMPORTANT:** If the nipple protrudes beyond 1/2" the O-ring will not make a proper seal and the nipple will have to be adjusted.
2. Wrap the threads of the nipple with pipe sealant tape.
3. Make sure the head will line up in the upright position when tightened. The head should only be firmly hand tight. Using a wrench on the head may damage it. Screw the head on to the nipple and see how it lines up. Once a proper alignment is made remove the head.
- NOTE:** If necessary the head can be repositioned by disassembling the hub from the cover and selecting one of the two alternate positions as shown in figure 1.
4. Re-apply sealant tape if necessary.
5. Place a bead of silicone around the pipe, sealing the pipe to the wall.

6. Place a bead of silicone around the back outer edge of the back plate.
7. Center and square the back plate over the nipple. While holding it in place screw the head on to the nipple hand tight.
8. Adjust the back plate and head to line up squarely. Remove any excess silicone with rubbing alcohol.

Figure 1



If repositioning is necessary remove 3 screws and rotate 120

Figure 2

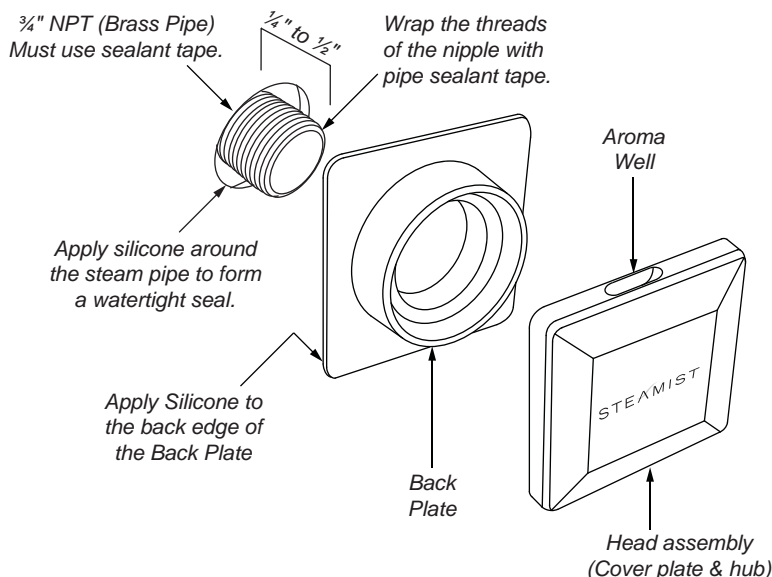
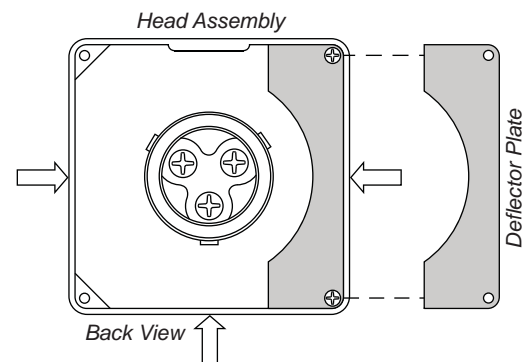


Figure 3 - Optional Deflector



If needed to improve bather comfort the included optional steam deflector can be installed to block the flow of steam from any of the shown sides of the steam head.