

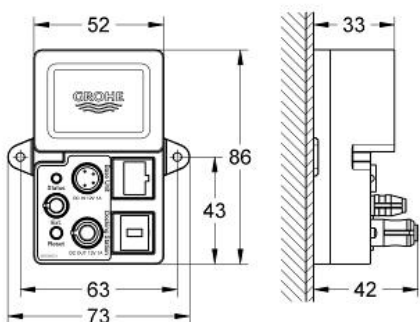
GROHE F-DIGITAL DELUXE

MODEL # 36371000

Pure Freude an Wasser



GROHE America, Inc | 200 North Gary Avenue, Suite G, Roselle, IL 60172
Phone: +1 (800) 444-7643 | Fax: +1 (800) 225-2778 | us-customerservice@grohe.com



Product Description:

Standard Specification:

Integrated electronics for wireless data communication

- Wall mount

86 x 73 x 42 mm

Features:

Reset switch

Status indicator (LED)

Standalone/maximum configuration

One-to-one connection

Safety cut-off mechanism (1 user)

Safety shutdown in case of loss of connection

Connection cable set for data communication and power supply (5 m each)

- CE approved

Bluetooth transmitter power supply: 12 V

Bluetooth® transmitter frequency: 2.4 GHz

Bluetooth range (max. 10 m) varies depending on used materials and walls between transmitter and receiver

Bluetooth-enabled device (Bluetooth V2.1 or higher) necessary

System requirements for Android:

Operating system: as of release, 2.3.3

Pixel density: 160 dpi minimum

Display resolution: 320 x 470 pixels per inch

System requirements for Apple:

Apple operating system: as of release, iOS 6.0 and above

Mobile devices and GROHE SPA F-digital deluxe App*** are not included in delivery and have to be ordered separately via an authorised Apple store/iTunes store or Google Play store.

Color:

□ 36371000 no colour

MODEL # 36418000

Pure Freude an Wasser



GROHE America, Inc | 200 North Gary Avenue, Suite G, Roselle, IL 60172
Phone: +1 (800) 444-7643 | Fax: +1 (800) 225-2778 | us-customerservice@grohe.com



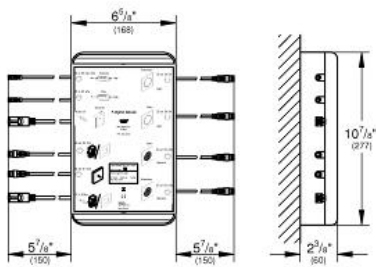
Product Description:

Standard Specification:

- For connecting light, sound and steam modules
- Consisting of:

Color:

- 36418000 chrome



RAINSHOWER F-SERIES

MODEL # 29072000

Pure Freude an Wasser



GROHE America, Inc | 200 North Gary Avenue, Suite G, Roselle, IL 60172
Phone: +1 (800) 444-7643 | Fax: +1 (800) 225-2778 | us-customerservice@grohe.com



Product Description:

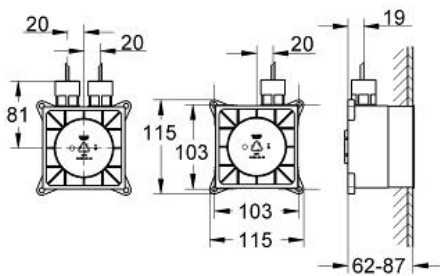
Standard Specification:

For use with F-Digital Deluxe double light modules (36 359 000)

- Consisting of:
 - 2 rough-in boxes (115 x 115 x 62-87 mm)
 - 2 extension cables for connection to the control box, each 196" (5 m) long

Color:

□ 29072000 no colour



GROHE F-DIGITAL DELUXE

MODEL # 36417000

Pure Freude an Wasser



GROHE America, Inc | 200 North Gary Avenue, Suite G, Roselle, IL 60172
Phone: +1 (800) 444-7643 | Fax: +1 (800) 225-2778 | us-customerservice@grohe.com



Product Description:

Standard Specification:

Color:

36417000 chrome

RAINSHOWER F-SERIES

MODEL # 29073000

Pure Freude an Wasser



GROHE America, Inc | 200 North Gary Avenue, Suite G, Roselle, IL 60172
Phone: +1 (800) 444-7643 | Fax: +1 (800) 225-2778 | us-customerservice@grohe.com



Product Description:

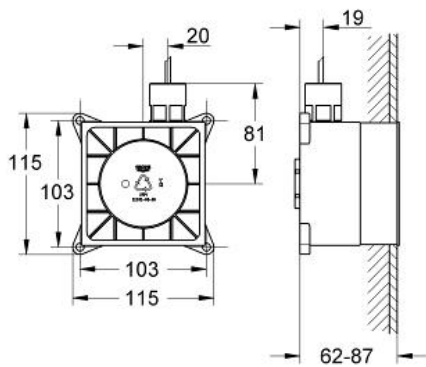
Standard Specification:

For use with double sound modules (36 360 000)

- Consisting of:
 - 2 rough-in boxes (115 x 115 x 62-87 mm)
 - 2 extension cables for connection to the control box, each 196" (5 m) long

Color:

- 29073000 no colour



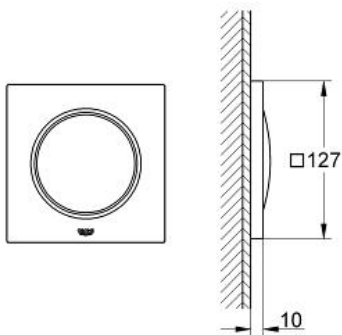
RAINSHOWER F-SERIES

MODEL # 36359000

Pure Freude an Wasser



GROHE America, Inc | 200 North Gary Avenue, Suite G, Roselle, IL 60172
Phone: +1 (800) 444-7643 | Fax: +1 (800) 225-2778 | us-customerservice@grohe.com



Product Description:

Standard Specification:

127 x 127 mm per module

Full-spectrum LED: soft light with changing rainbow colors
Individually adjustable: permanent lighting with color selection

• Consisting of:

Waterproof & corrosion protected

Supply voltage: 12 V DC

• CE approved

• GROHE StarLight chrome finish

• This product contains built-in LED lamps which cannot be changed; energy efficiency class: A+

• For detailed planning and product information please contact your local GROHE Customer Service

Color:

□ 36359000 chrome

RAINSHOWER F-SERIES

MODEL # 36360000

Pure Freude an Wasser



GROHE America, Inc | 200 North Gary Avenue, Suite G, Roselle, IL 60172
Phone: +1 (800) 444-7643 | Fax: +1 (800) 225-2778 | us-customerservice@grohe.com



Product Description:

Standard Specification:

127 x 127 mm per module

Full-range stereo speaker

• Consisting of:

2 speakers with plug connections

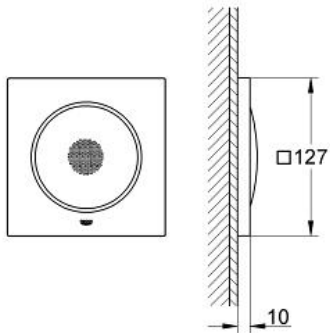
Waterproof & corrosion protected

• **GROHE StarLight** chrome finish

• For detailed planning and product information please contact your local GROHE Customer Service

Color:

□ 36360000 chrome



STEAMIST®

Steam Generator

Models: SM-5, SM-7, SM-9 and SM-10

Features

Limited lifetime warranty - 2-year in home labor warranty where available

Generator typically can be installed up to 25 ft. from the bathing area

Diagnostic LED Displays

Stainless Steel Construction

Solid-State Circuitry

Codes/Standards

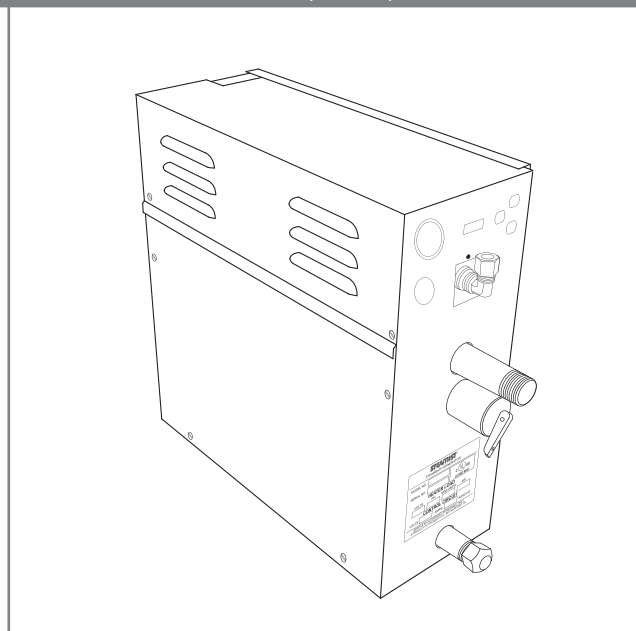
UL 499

UL/CUL Listed

City of LA - Approved

City of New York - M.E.A. Approved

State of Mass. Approved



Steam Generator Specification Chart

Model Number	Product Number	KW Rating	Max. Cu. Ft. Range*	Volts/Phase/Max. Amps	Line Fuse	Dimensions L x W x H
SM-5	5010	5	100	240/1/21	30	15" x 6" x 15.5"
	5011			208/1/24	30	
SM-7	7010	7	220	240/1/29	40	
	7011			208/1/34	40	
SM-9	9010	9	360	240/1/38	50	
	9011			208/1/43	50	
SM-10	1010	10	450	240/1/42	50	
	1011			208/1/48	60	

* Refer to sizing guidelines to accurately determine the proper size generator for the installation. 90°C copper wire is required for generator connection. Installation shall be in accordance with NEC and local electrical codes.

Required Equipment

SMC-150 Control

Required Electrical Service

Dedicated circuit required: See Specification Chart for proper electrical requirements

Product Information

Water Supply - 3/8" Compression Fitting, 120 PSI Max

Steam Line - 3/4" Brass NPT male thread

Pressure Relief Valve - 3/4" NPT female thread

Capped 1/2" drain line - Auto Drain Ready

Generator

Weight - 30 lbs.

Installation Notes

Steam Generators can be typically mounted within 25 ft. of the bathing area.

Steam Generators should be accessible for service.

Do NOT install near flammable material such as paints, thinners, gasoline, etc.

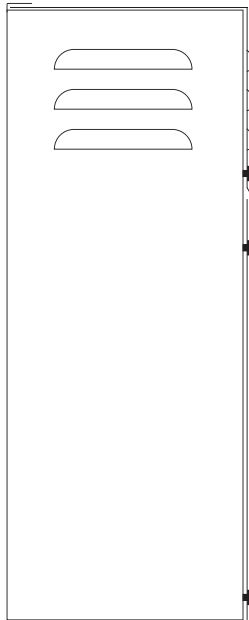
Steam generators must NOT be installed outdoors, in moist, humid areas, in areas prone to freezing, or extreme heat such as an unventilated attic. To do so will void the warranty.

Steamhead to be mounted 12" to 18" above floor or 6" above rim of tub and as far from the seating area as possible.

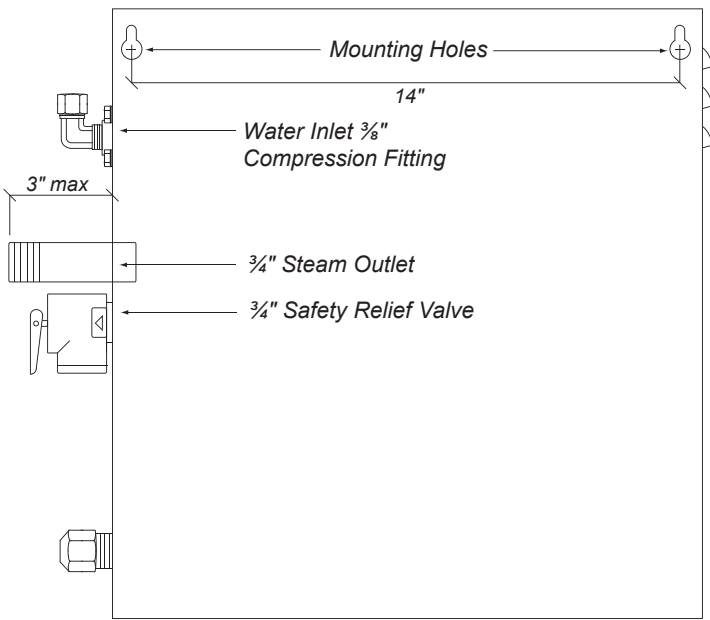
Rough-in Notes

Access: 21" W x 18" D x 22" H (28" W with Auto Drain)

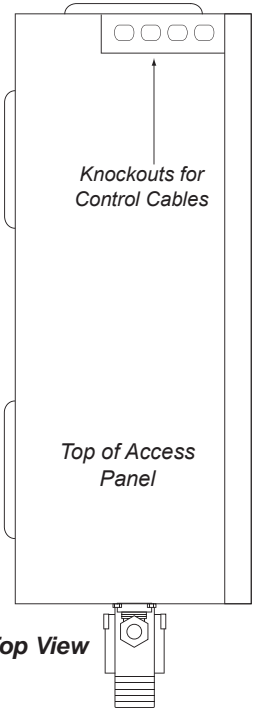
Dimensional Drawing Models: SM-5, SM-7, SM-9 and SM-10



Rear Side View

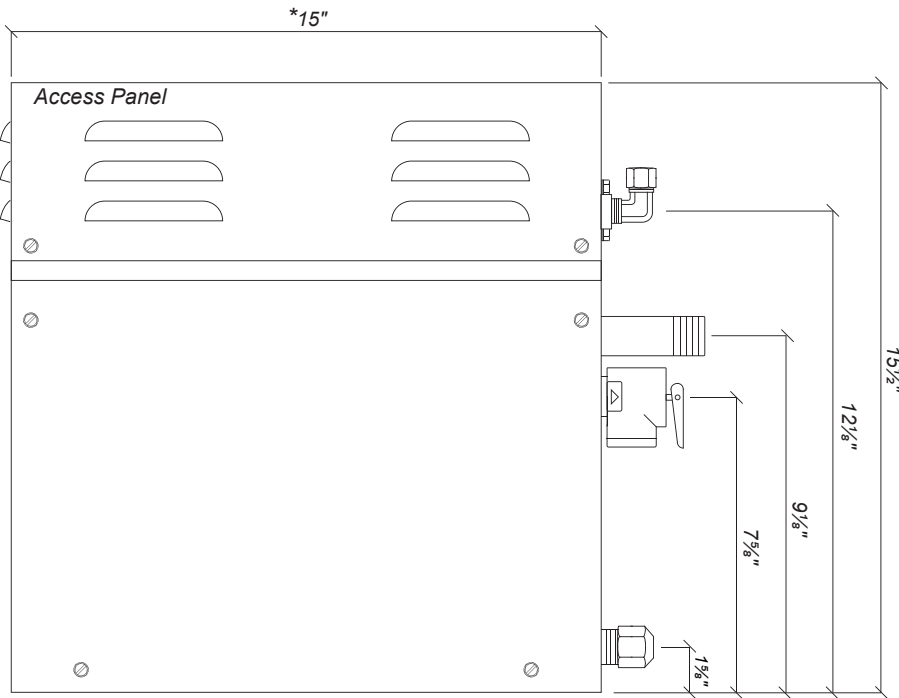


Back View

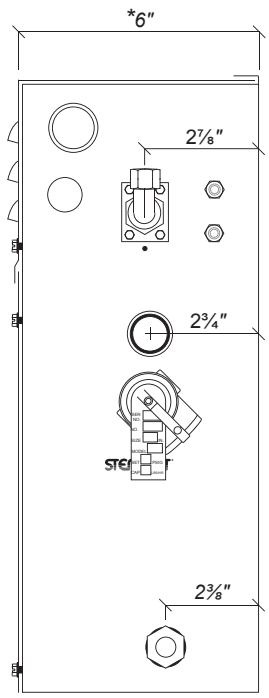


Top View

*Add 1/4" to the dimension for the louvers



Front Access



Front Side View

STEAMIST®

Steamhead

Model: 3199

Product Information – 3199

Material: Brass

Product No. - Finishes:

3199-PC - Polished Chrome

3199-PN - Polished Nickel

3199-BN - Brushed Nickel

3199-AB - Antique Brass*

3199-PB - Polished Brass*

3199-PG - Polished Gold

3199-ORB - Oil Rubbed Bronze

3199-BB - Brushed Bronze

***While Supplies last**

Notes

Installation Notes

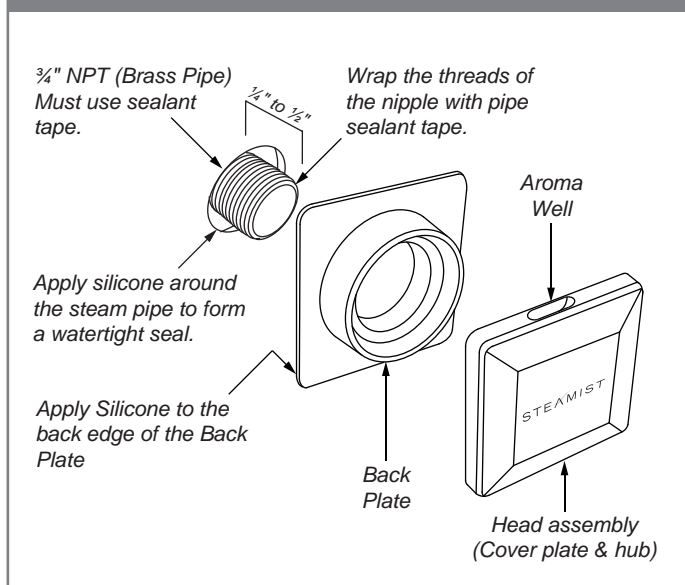
Steamline - 3/4" Copper or Brass NPT male thread.

Rough-in Notes

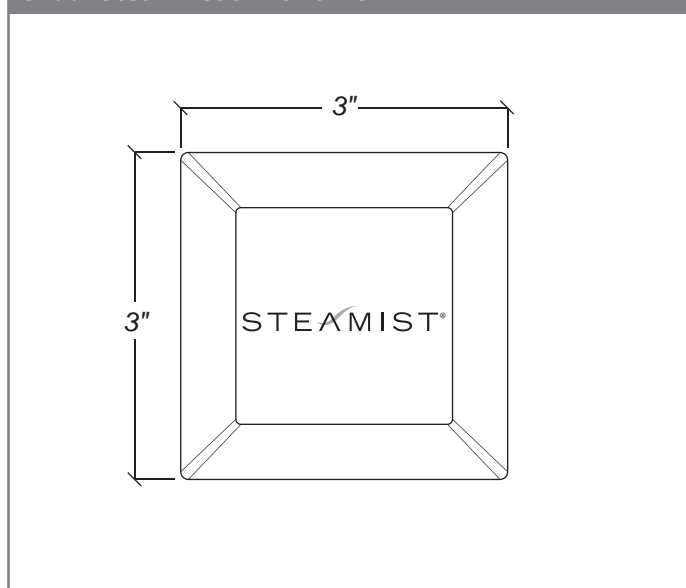
Steamline should protrude 1/4" to 1/2" from finished surface.

Steamhead to be mounted 18" above the finished floor or 6" above the rim of the tub and as far from the seating area as possible.

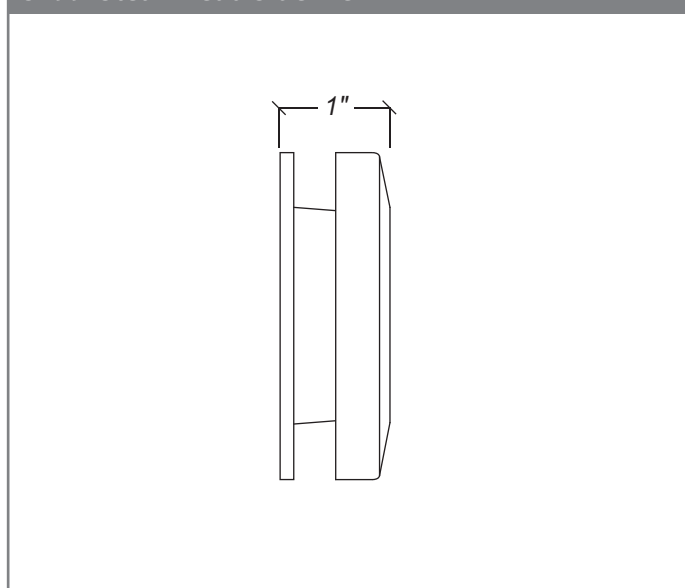
3199 Steamhead



3199 Steamhead Front View



3199 Steamhead Side View



Temperature Sensor

MODEL # 36419000

Pure Freude an Wasser



GROHE America, Inc | 200 North Gary Avenue, Suite G, Roselle, IL 60172
Phone: +1 (800) 444-7643 | Fax: +1 (800) 225-2778 | us-customerservice@grohe.com



Product Description: Temperature Sensor

Standard Specification:

- Consisting of:
- **GROHE StarLight** chrome finish
- For detailed planning and product information please contact your local GROHE Customer Service

Color:

- 36419000 chrome

