

# LADYLUX3 PLUS

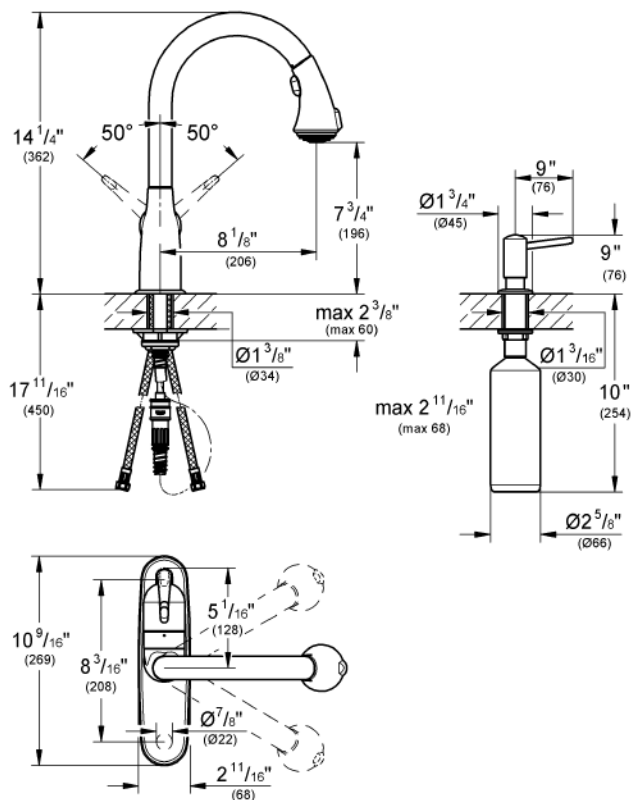
## Single-lever sink mixer 1/2"

MODEL # 30119DC0

Pure Freude an Wasser



GROHE America, Inc | 200 North Gary Avenue, Suite G, Roselle, IL 60172  
 Phone: +1 (800) 444-7643 | Fax: +1 (800) 225-2778 | us-customerservice@grohe.com



### Product Description:

#### Single-lever sink mixer 1/2"

#### Standard Specification:

- Single hole installation
- Swivel Spout
- Adjustable flow rate limiter
- Integrated extactable pull out handspray
- Automatic returning
- Integrated non-return valve
- Automatic return to aerator
- Stainless steel flex lines
- Quick installation system
- **SpeedClean**® anti-lime system
- **Protected against backflow**
- **GROHE SilkMove**® ceramic cartridge
- **GROHE StarLight**® finish
- **GROHE SuperSteel** Infinity Finish™
- Max Flow Rate: 2.2 gpm (8.3 L/min)

#### Applicable Codes & Standards:

- Energy Policy Act of 1992
- NSF 61
- ASME A112.18.1/CSA B125.1
- US Federal and State material regulations
- ICC/ANSI A117.1
- CalGreen

#### Color:

- 30119DC0 DC0 supersteel