

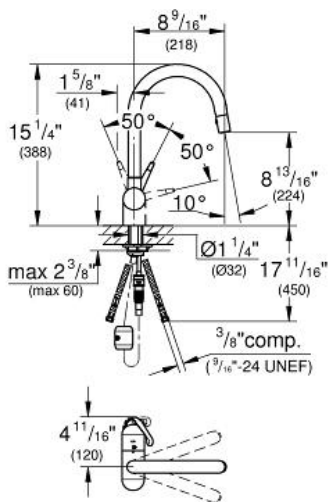
Single-lever sink mixer 1/2"

MODEL # 32245SD0

Pure Freude an Wasser

GROHE

GROHE America, Inc | 200 North Gary Avenue, Suite G, Roselle, IL 60172
Phone: +1 (800) 444-7643 | Fax: +1 (800) 225-2778 | us-customerservice@grohe.com



ADA

Product Description: Single-lever sink mixer 1/2"

Standard Specification:

- Single hole installation
- **GROHE SilkMove®** ceramic cartridge
- **GROHE RealSteel®** Stainless Steel Construction produced from Grade 304 stainless steel
- Swivel Spout
- **Dual Spray Pull-Out**
- Diverter: aerator/shower jet
- Returning help
- Integrated non-return valves
- Stainless steel flex lines
- Quick installation system
- Single Lever Handle
- Variable Handle Positioning
- Spout Reach 8 9/16"
- Coordinated Ladylux Pro Design
- Forward rotation lever, does not hit backsplash
- Max Flow Rate: 1.75 gpm (6.6 L/min)

Applicable Codes & Standards:

- Energy Policy Act of 1992
- NSF 61
- ASME A112.18.1/CSA B125.1
- US Federal and State material regulations
- ICC/ANSI A117.1
- CalGreen

Color:

- 32245SD0 SD0 stainless steel, brushed

Adaptor

MODEL # 30310000

Pure Freude an Wasser

GROHE

GROHE America, Inc | 200 North Gary Avenue, Suite G, Roselle, IL 60172
Phone: +1 (800) 444-7643 | Fax: +1 (800) 225-2778 | us-customerservice@grohe.com



Product Description:

Adaptor

Standard Specification:

- **Foot control: activation of water via contact with sensor**
- 6 V lithium-battery supply (type CR-P2)
- **CE approved**
- Solenoid valve
- Fixed value mixing valve
- Automatic safety stop after 60 sec. (factory set)
- Retro-fit upgrade set compatible with all GROHE pull-out and pull-down kitchen faucets: K7® (32 178), LadyLux® (32 298, 32 226, 32 283, 33 893, 32 245, 32 256, 33 755, 33 759), Minta™ (32 319, 31 378), Bridgeford® (33 870), Concetto (32 665, 31 479, 31 453), Essence New (30 271), Parkfield® (30 213, 30 296), Eurodisc®/Eurodisc® Cosmopolitan (33 330), Europlus (32 946) and Alira (32 999)

Color:

- 30310000 000 chrome