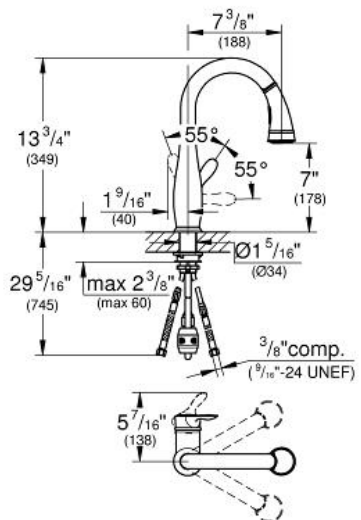


PARKFIELD
Single-lever sink mixer 1/2"
MODEL # 30296000

Pure Freude an Wasser



GROHE America, Inc | 200 North Gary Avenue, Suite G, Roselle, IL 60172
Phone: +1 (800) 444-7643 | Fax: +1 (800) 225-2778 | us-customerservice@grohe.com



Product Description:
Single-lever sink mixer 1/2"

Standard Specification:

- For prep sinks
- **GROHE SilkMove** 35 mm ceramic cartridge
- Adjustable flow rate limiter
- Swivel Spout
- Swivel area 360°
- Stainless steel flex lines
- Quick installation system
- **Protected against backflow**

Color:

- 30296000 000 chrome

Adaptor

MODEL # 30310000

Pure Freude an Wasser

GROHE

GROHE America, Inc | 200 North Gary Avenue, Suite G, Roselle, IL 60172
Phone: +1 (800) 444-7643 | Fax: +1 (800) 225-2778 | us-customerservice@grohe.com



Product Description:

Adaptor

Standard Specification:

- **Foot control: activation of water via contact with sensor**
- 6 V lithium-battery supply (type CR-P2)
- **CE approved**
- Solenoid valve
- Fixed value mixing valve
- Automatic safety stop after 60 sec. (factory set)
- Retro-fit upgrade set compatible with all GROHE pull-out and pull-down kitchen faucets: K7® (32 178), LadyLux® (32 298, 32 226, 32 283, 33 893, 32 245, 32 256, 33 755, 33 759), Minta™ (32 319, 31 378), Bridgeford® (33 870), Concetto (32 665, 31 479, 31 453), Essence New (30 271), Parkfield® (30 213, 30 296), Eurodisc®/Eurodisc® Cosmopolitan (33 330), Europlus (32 946) and Alira (32 999)

Color:

- 30310000 000 chrome